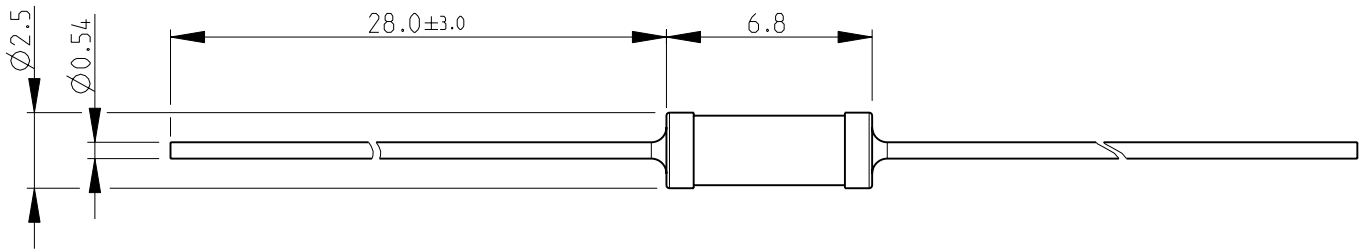
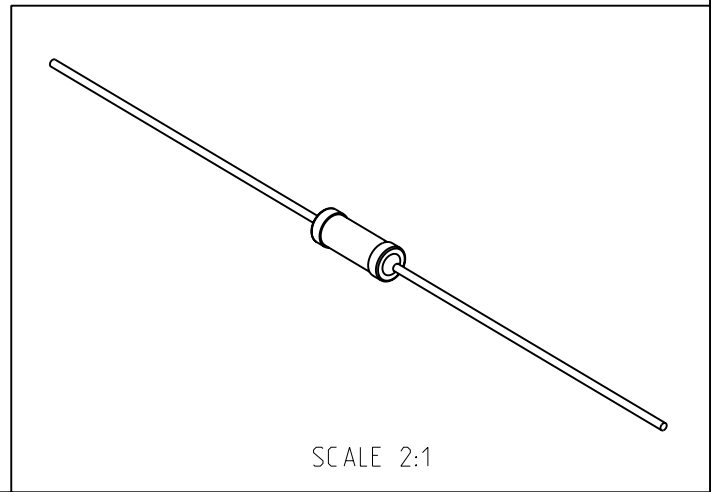


LOC	DIST	REVISIONS					
E	B	P	LTR	DESCRIPTION	DATE	DWN	APVD
			BA	NEW RELEASE	20-Sep-08	SM	St.P

FOR FURTHER INFORMATION SEE DATA SHEET FOR
CFR SERIES-CARBON FILM FIXED RESISTORS



RoHS Compliant



SCALE 2:1

2008

RELEASED FOR PUBLICATION

THIS DRAWING IS UNPUBLISHED.

BY TYCO ELECTRONICS CORPORATION. ALL RIGHTS RESERVED.
COPYRIGHT 2008

DIMENSIONS: mm	DWN	20-Sep-08	MATERIAL	-	FINISH	-
	CHK	20-Sep-08	Tyco Electronics Corporation Dorcan, Swindon, SN3 5HH			
TOLERANCES UNLESS OTHERWISE SPECIFIED:	APVD	20-Sep-08				
0 PLC ± 0.2	PRODUCT SPEC	-	NAME CARBON FILM FIXED RESISTORS SERIES CFR25			
1 PLC ± 0.1	APPLICATION SPEC	-				
2 PLC $\pm -$	WEIGHT	-	SIZE	A 4	CAGE CODE	00779
3 PLC $\pm -$			DRAWING NO	C= 1623931		RESTRICTED TO
4 PLC $\pm -$						-
ANGLES $\pm 5^\circ$						
	CUSTOMER DRAWING		SCALE	4:1	SHEET	1 OF 1
						REV BA

Mouser Electronics

Authorized Distributor

Click to View Pricing, Inventory, Delivery & Lifecycle Information:

[TE Connectivity:](#)

[CFR25J680K](#)