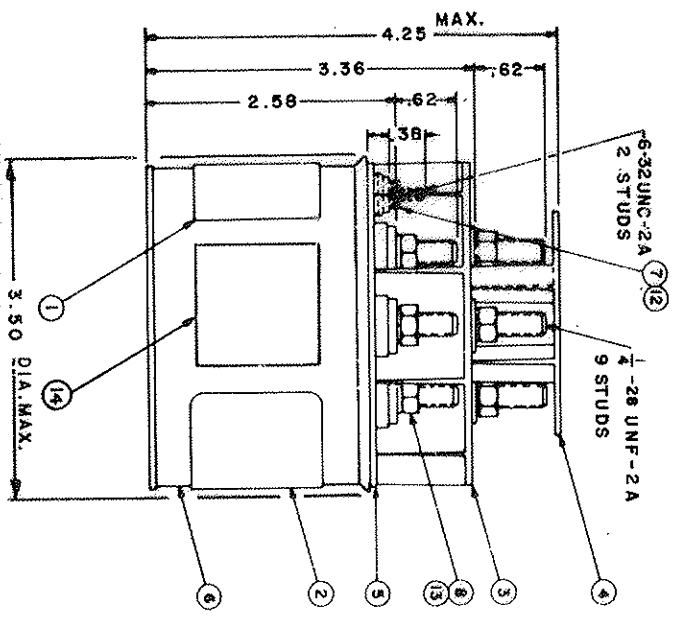
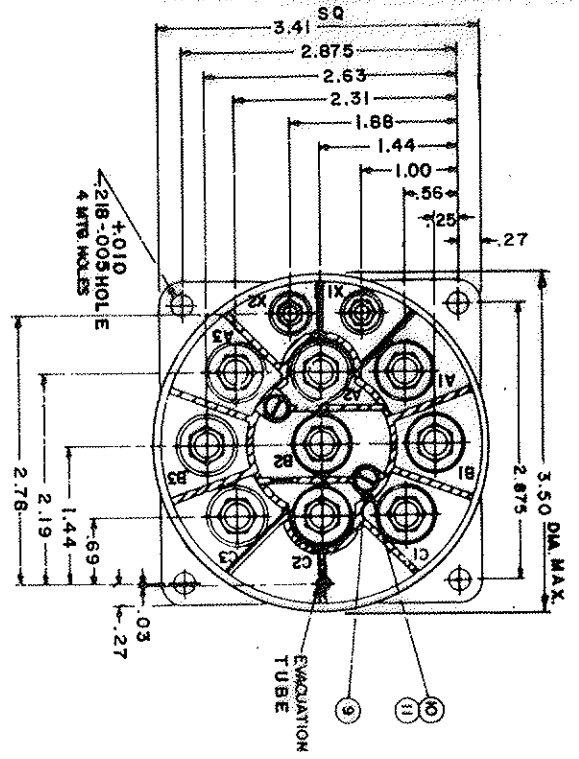


REV.	DESCRIPTION	DATE
A	17723 ITEM 3 WAS 17539-001	11-12-83
B	18488 ITEM 3 WAS 17539-006	2-21-87



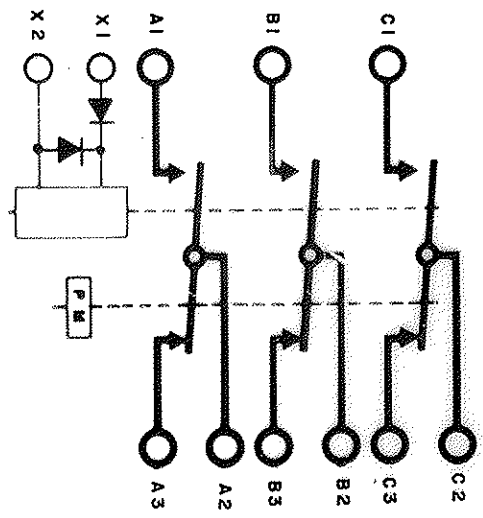
CONSTRUCTION  
MAIN CONTACTS  
VOLTAGE (NOMINAL)  
CURRENT RES.  
IND.

HERMETICALLY SEALED  
3 PDT  
115/200 VAC 400 HZ  
100 AMP  
100 AMP

COIL DATA  
DUTY CYCLE  
OPERATING VOLTAGE  
PICKUP  
CONTINUOUS  
115 VAC 400 HZ  
103.5 V. MAX AT 71°C  
25 ± 20 V

ENVIRONMENTAL DATA  
OPERATING TEMP  
VIBRATION  
ALTITUDE  
LIFE ELECTRICAL  
WEIGHT MAX.  
MAX. INTER.  
-55°C TO +71°C  
.08 DA 5-12 HZ  
.06 DA 12-40 HZ  
10 G 40-1000 HZ  
50,000 FT. MAX.  
50,000 CYCLES MIN.  
2.2 LBS.  
600 AMPS

NOTES:  
1. REMOVE PAINT BOTH SIDES OF EITHER SET OF MTR. HOLES.



QTY	PART NAME	NOMENCLATURE OR DESCRIPTION	PART OR IDENTIFYING NO	ITERM NO
1	PLATE WARNING		17959-001	14
9	WASHER-LOCK - 1/4 SPLIT BRONZE		51807-014 (M92584A) 13	13
2	WASHER-LOCK - #6 SPLIT BRONZE		51808-014 (M92584) 12	12
2	WASHER-LOCK - #5 SPLIT BRONZE		51805-011 (M92584) 11	11
2	WASHER - .015 X 1/8 X 3/16 NYLON		51791-009	10
2	SCREW - 5-40 X 1 3/8 RD. HD. STEEL		51205-411	9
2	WUT - 1/4-28 X 3/8 X 3/16 HEX BRASS		50407-074	8
2	WUT - 6-32 X 1/4 X 5/16 HEX BRASS		50404-034	7
1	CONTACTOR ASSEMBLY - PRIMARY		20074-080	6
1	PLATE - BASE COVER		17542-005	5
1	SHIELD - TERMINAL, TOP		17540-001	4
1	SHIELD - TERMINAL, BOT		17539-001	3
1	PLATE - WIRING DIAGRAM		17884-001	2
1	PLATE - NAME		16045-001	1

DATE 5-9-83 DR BY H.A.S.  
DESIGNED FOR  
TOLERANCES  
UNLESS OTHERWISE SPECIFIED  
DIMENSIONS .0001 O.D.  
R.E.F.  
DOUGLAS LONG BEACH  
APPROVED RS  
APPROVED BL

CONTACTOR-3PDT SIDE STABLE  
100A, 400 HZ, 115VAC COIL  
CHECK SHEET NO 74969  
SCALE WEIGHT  
DHR-258G

# Mouser Electronics

Authorized Distributor

Click to View Pricing, Inventory, Delivery & Lifecycle Information:

[TE Connectivity:](#)

[DHR25BG](#)