

TCA7408EVM, TCA5405EVM

This user's guide describes the characteristics, setup and use of the TCA7408EVM/TCA5405EVM Evaluation Module (EVM). This user's guide includes set-up instructions, a schematic diagram, a bill of materials, printed-circuit board layout drawings, software instructions, and operation instructions.

Contents

1	Introduction	1
	1.1 Features	2
	1.2 TPL0401A/B	2
	1.3 TCA5405	2
	1.4 TCA7408	2
	1.5 TLC59108	2
	1.6 Requirements	2
2	Setup	3
	2.1 Connectors and Jumpers	3
	2.2 Hardware Setup	4
3	Operation	4
4	MSP430 Code	4
	4.1 TCA5405	4
5	Schematics, Layout, and Bill of Materials	6
	5.1 Schematics	6
	5.2 Layout	9
	5.3 Bill of Materials	13

List of Figures

1	Data Flow for TCA5405	4
2	TCA5405, TCA7408 Schematic	6
3	TLC59108 Schematic	7
4	TPL0401 Schematic	8
5	Routing, Assembly and Silkscreen Top	9
6	Layer 2 Power Plane	10
7	Layer 3 Ground Plane	11
8	Routing and Assembly Bottom	12

List of Tables

1	Description of Connectors and Jumpers	3
2	TCA7408EVM/TCA5405EVM Bill of Material	13

1 Introduction

The TCA7408-5405EVM is designed to show the used of multiple TI products on a single evaluation board. It shows how the single-wire 5-bit output expander TCA5405 is used to generate LED blinking functions. The Single wire interface is implemented using a single GPIO port on the MSP430, and very simple firmware embedded in the device. The TCA7408 GPIO expander is used to an input handler, that detects Key presses and notifies the MSP430. The EVM also has the TPL0401 that is used for RGB color mixing in conjunction with the TLC59108.

1.1 Features

- Works with MSP430 Launchpad
- Illustrates the use of TPL0401DPOT for color mixing
- TCA7408 used for Key press detection
- Shows the use of Single wire self timed interface in TCA5405
- Color mixing and LED blinking control

1.2 TPL0401A/B

The TPL0401 is an I2C bus controlled, single channel, linear-taper digital potentiometer with 128 wiper positions. TPL0401A/B have an end-to-end resistance of 10k ohms and the low terminal internally connected to ground.

1.3 TCA5405

The TCA5405 is a 5-bit output expander controlled using a single wire input. This device is ideal for portable applications as it has a wide VCC range of 1.65V to 3.6 V. The TCA5405 uses a self-timed serial data protocol with a single data input driven by a master device synchronized to an internal clock of that device.

1.4 TCA7408

This 8-bit I/O expander for the two-line bidirectional bus (I²C) is designed to provide general-purpose remote I/O expansion via the I²C interface [serial clock (SCL) and serial data (SDA)]. The major benefit of this device is its wide VCC range. It can operate from 1.65-V to 3.6-V on the GPIO-port side and 1.65-V to 5.5-V on the SDA/SCL side. This allows the TCA7408 to interface with next-generation microprocessors and microcontrollers on the SDA/SCL side, where supply levels are dropping down to conserve power. The TCA7408 open-drain interrupt (INT) output is activated when any GPIO set as an input has a transition to the state opposite of that in the Input Default State register and the corresponding bit in the Interrupt Mask Register is set to 0. It is used to indicate to the system master that an input has changed to a pre-determined state.

1.5 TLC59108

The TLC59108 is an I²C bus controlled 8-bit LED driver that is optimized for red/green/blue/amber (RGBA) color mixing and backlight application for amusement products. Each LED output has its own 8-bit resolution (256 steps) fixed-frequency individual PWM controller that operates at 97 kHz, with a duty cycle that is adjustable from 0% to 99.6%. The individual PWM controller allows each LED to be set to a specific brightness value. An additional 8-bit resolution group PWM controller has both a fixed frequency of 190 Hz and an adjustable frequency between 24 Hz to once every 10.73 seconds, with a duty cycle that is adjustable from 0% to 99.6%. The group PWM controller dims or blinks all LEDs with the same value. TLC59108 scales up the reference current set by the external resistor (R_{ext}) to sink the output current (I_{out}) at each output port.

1.6 Requirements

In order to operate this EVM, the following components must be connected and properly configured.

1.6.1 LaunchPad

A Texas Instruments LaunchPad (MSP-EXP430G2) with the male headers and an MSP430G2553 microcontroller installed is required to run the board. A LaunchPad can be acquired here (<https://estore.ti.com/MSP-EXP430G2-MSP430-LaunchPad-Value-Line-Development-kit-P2031.aspx>)

NOTE: IMPORTANT: The code to control the TCA7408EVM/TCA5405EVM was written from an MSP430G2553 and will not work with the MSP430 chips that are included with the LaunchPad kit.

1.6.2 Power Supply (*Optional)

To ensure correct functionality of the LEDs a 5V supply at 300mA is recommended (refer to note in section 2.3.1). If not using a USB cable to power the LaunchPad a 3.3V power supply at 200mA is required.

2 Setup

This section describes the jumpers and connectors on the EVM.

2.1 Connectors and Jumpers

2.1.1 J1 & J2 – LaunchPad Headers

These connectors mate with the male headers on the LaunchPad.

2.1.2 J3 – External LED Power

This connector is where the external +5V supply is attached to power the two RGB LEDs.

2.1.3 J4 – TCA7408 GPIO

This is a pin out of the four unused GPIO pins from the TCA7408, GPIO4-GPIO7.

2.1.4 J5 – Feedback loop

For the TPL0401A to function as a voltage reference circuit the negative feedback loop must be shorted, placing a jumper across this header will short the inverting input to the output.

2.1.5 J6 – LED or Op-amp

This header controls what the TPL0401B is attached to. When shorted across position 1 and 2 the TPL0401B is connected in series with the external resistor to control the current through the LED driver. When shorted across position 2 and 3 the TPL0401B is connected to the inverting input of the op-amp to change the gain of the circuit.

2.1.6 J7 – Op-amp input

This header controls the input to the non-inverting pin of the LMV321. When shorted across position 1 and 2, the TPL0401A in a voltage divider mode is attached to the non-inverting input of the LVM321. This setup is used to test the voltage reference setup. When shorted across pins 2 and 3, the SMA connector is attached to the non-inverting input.

2.1.7 J9 – Test Points

This connector offers test points for the serial data lines, SDA, SCL and the DIN that drives the TCA5405.

Table 1. Description of Connectors and Jumpers

Label	Description
J1, J2	Connectors to interface with LaunchPad
J3	External 5V for LED
J4	GPIO4-GPIO7 from TCA7408
J5	Control jumper to short feedback loop
J6	Jumper to control LED or Op-Amp
J7	Jumper to control input to Op-Amp
J8	SMA/B Footprint for external input
J9	Test points for DIN, SDA and SCL

2.2 Hardware Setup

There are three different modes that the EVM can be used in, LED mode, Voltage reference mode, and Variable gain mode. To setup any of these three modes, begin by connecting the EVM to the LaunchPad. Note the location of the VCC and GND pins on headers J1 and J2 on both the LaunchPad and the EVM to ensure correct installation.

Install a shorting jumper across pins 1 and 2 of J6. Connect an external +5V supply to J3 and either connect the LaunchPad to a computer through USB or connect a 3.3V power supply to J6* on the LaunchPad to power it up.

NOTE: : It can be possible to power up the LEDs by connecting a wire from the VCC pin of J6 on the LaunchPad to the positive pin of J3. A 5V supply might be required because the max voltage drop across the blue LED plus the drop across the TLC59108 is larger than the supply voltage of the LaunchPad.

3 Operation

The TCA5405 will control when D1-D5 light up. TPL0401B is connected in series to the REXT of the TLC59108 LED driver this setup will control D6 and D7. Each color is set to a fixed PWM to ensure baseline brightness is similar. Color mixing is then accomplished through unique methods. The desired current is set by changing the W-L resistance of the TPL0401B and the desired LED is switched on. This repeats for the other colors and then starts over. The LEDs are multiplexed at about 1000 Hz.

After setting up the EVM as described in section 2.3.1, LEDs D1-D5 should be blinking and D6 and D7 will be blue. To increase the speed at which D1-D5 blink press SW1 and to decrease the speed press SW2.

There are 25 different colors that can be created with D6-7 starting with blue and ending with green. To step through the colors from blue to green press S4. To step through the colors from green to blue press S3.

4 MSP430 Code

4.1 TCA5405

Within the source code for the MSP430 there are two different methods to handle sending data to the TCA5405. This section will explain how the TCA5405 functions and how the MSP430G2xx3 code works.

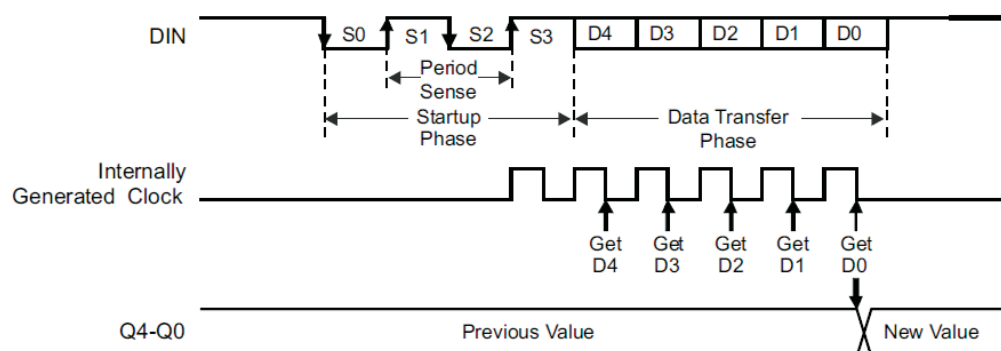


Figure 1. Data Flow for TCA5405

4.1.1 TC5405 Overview

As shown in [Figure 1](#), a ten bit serial transfer is required to set the five outputs on the TCA5405. The first four bits, 0101 (S0-S3), act as a start flag for the TCA5405. S0 is a start bit and S1-S3 are the clock sense bits for the TCA5405. The next five bits (D4-D0) are the data bits associated with each of the outputs. The tenth bit returns the serial line back to high to ready the TCA5405 for the next input.

In the source code there are two methods to handle this communication. These functions are located in `Single_Wire.c`

1. Use a GPIO (general purpose input/output) and a clock delay to emulate S0-D0.
2. Use one of the MSP430 timers to change the output at a specified bit interval.

4.1.2 `bit_bang_TCA5405_byte(unsigned char byte)`

The function `bi_bang_TCA5405_byte(unsigned char byte)` will emulate the required ten bits for communication with the TCA5405. This function works very simply by driving a GPIO pin to high or low and utilizing the `_delay_cycles()` function to hold the value. After each assert on the GPIO pin a `_delay_cycles(16)` is called to wait roughly 2 microseconds before the next bit. The section that handles the data bits (D4-D0) only uses a `_delay_cycles(10)` function; this is to adjust for the time spent on if statements.

4.1.3 `send_TCA5405_byte`

The function `send_TCA5405_byte(unsigned char byte)` along with `5405_Timer_ISR()` implements the required serial data by using one of the MSP430 timers. When a byte is sent to `send_TCA5405_byte()`, the function adds the start flag (S0-S3) to the beginning and the stop bit (1) to the end (LSB), stores the new value to a global variable, and enables the timer interrupts. After a set number of clock cycles defined by `NEXT_BIT_TIME`, `5405_Timer_ISR()` is called and adjusts the output of the P2.0 accordingly.

NOTE: The start flag S0-S3 is hard coded into each of these methods

5 Schematics, Layout, and Bill of Materials

5.1 Schematics

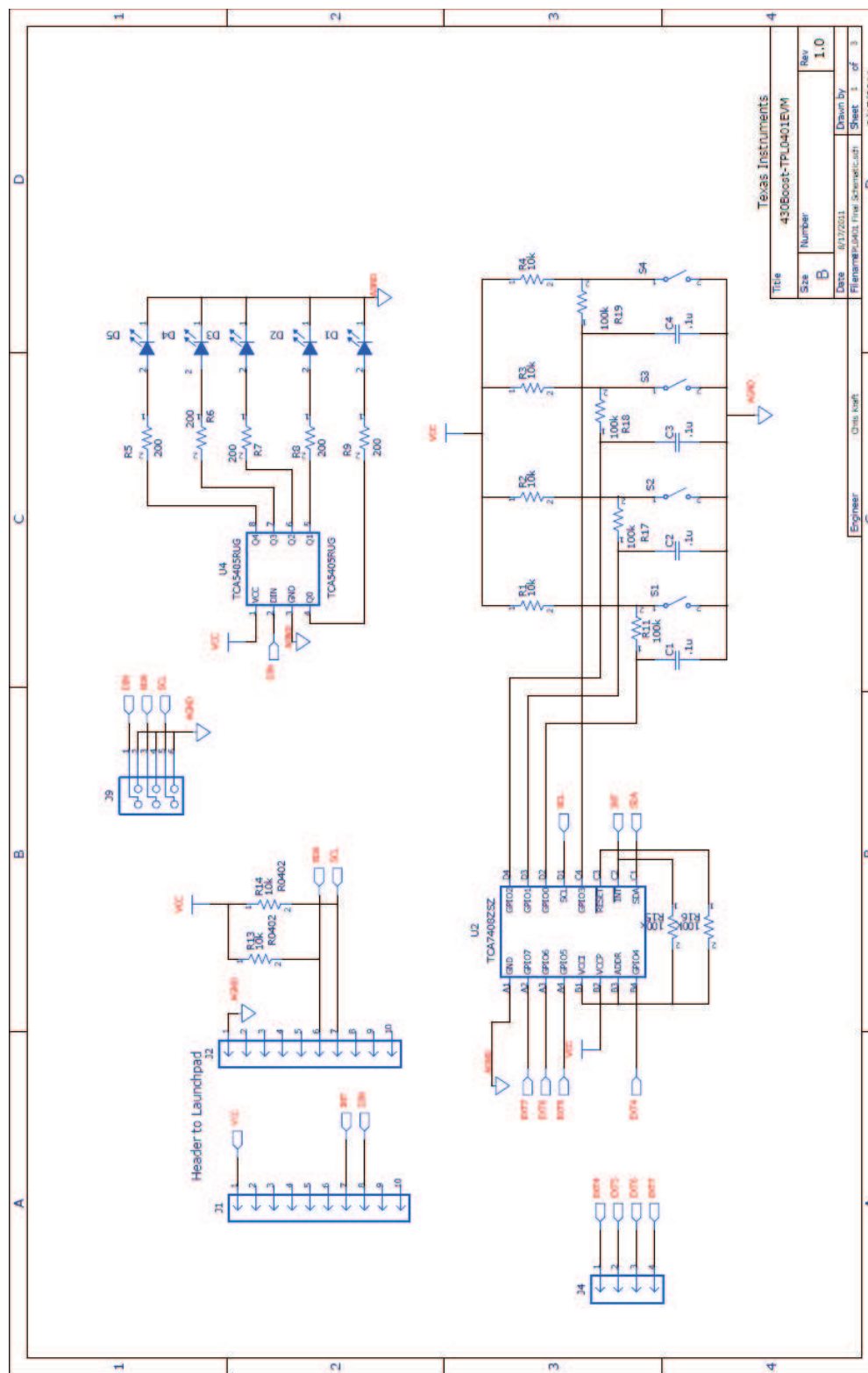
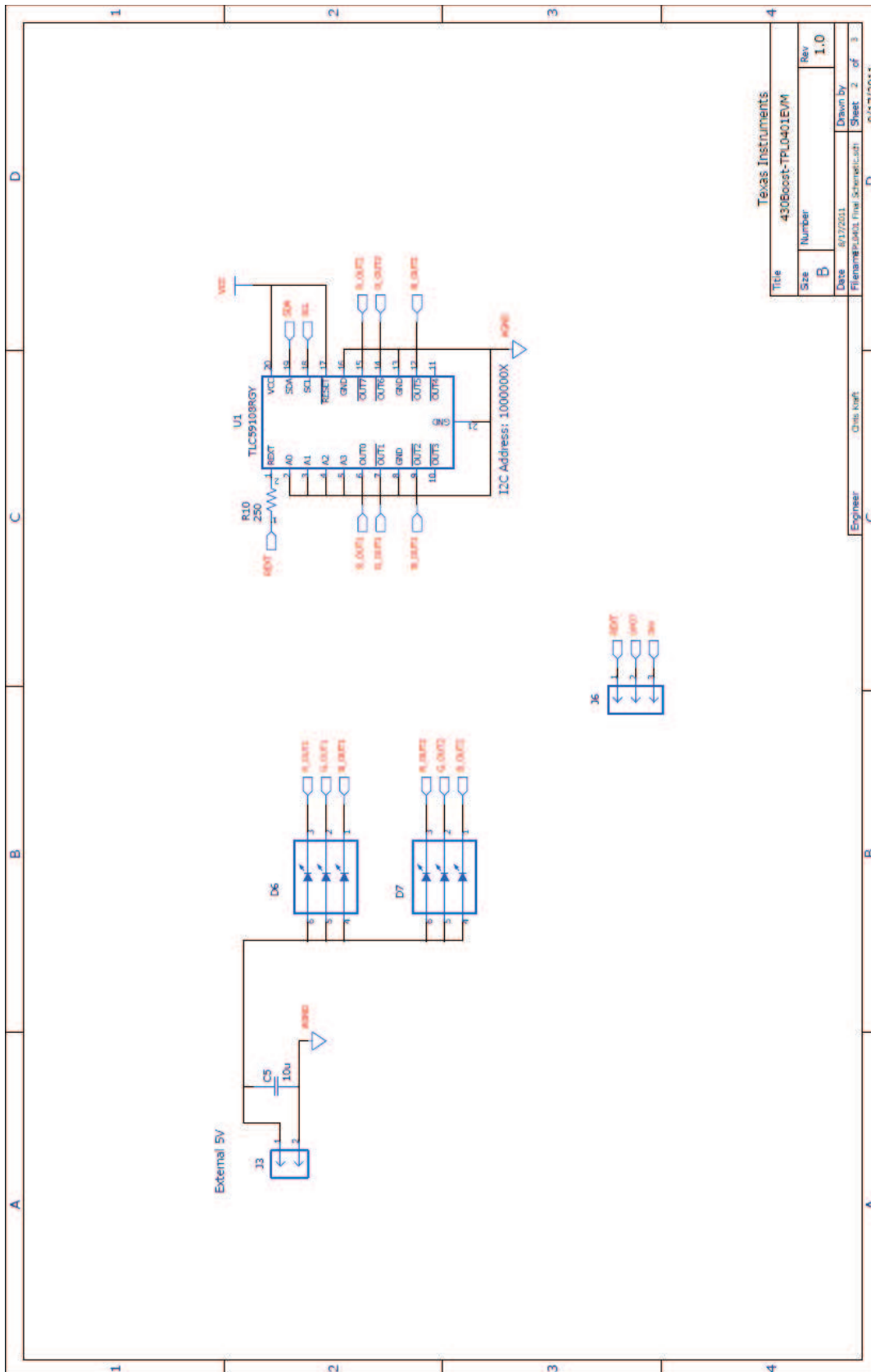
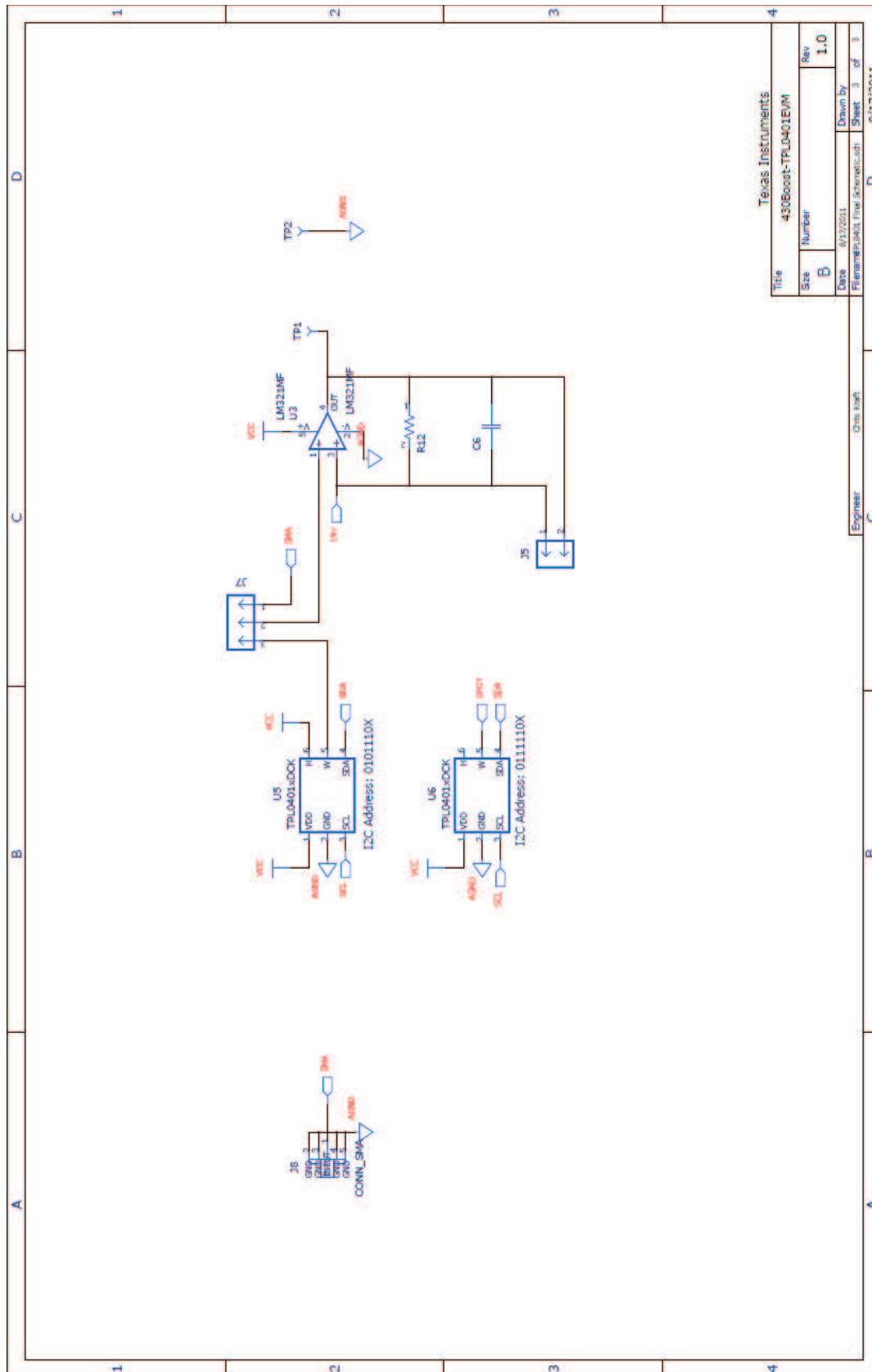


Figure 2. TCA5405, TCA7408 Schematic



Texas Instruments	
Title	43060001-TPU0401EVM
Size	Number
Rev	1.0
Date	8/17/2011
Drawn by	
Filename	43060001-TPU0401EVM_Schematic.dwg
Sheet	2 of 3

Figure 3. TLC59108 Schematic



Texas Instruments	
Title	43060001-TPL0401EVM
Size	Number
Rev	1.0
Date	6/17/2011
Drawn by	
File Name	PL0401EVM_Schematic.tst
Sheet	3 of 3

Figure 4. TPL0401 Schematic

5.2 Layout

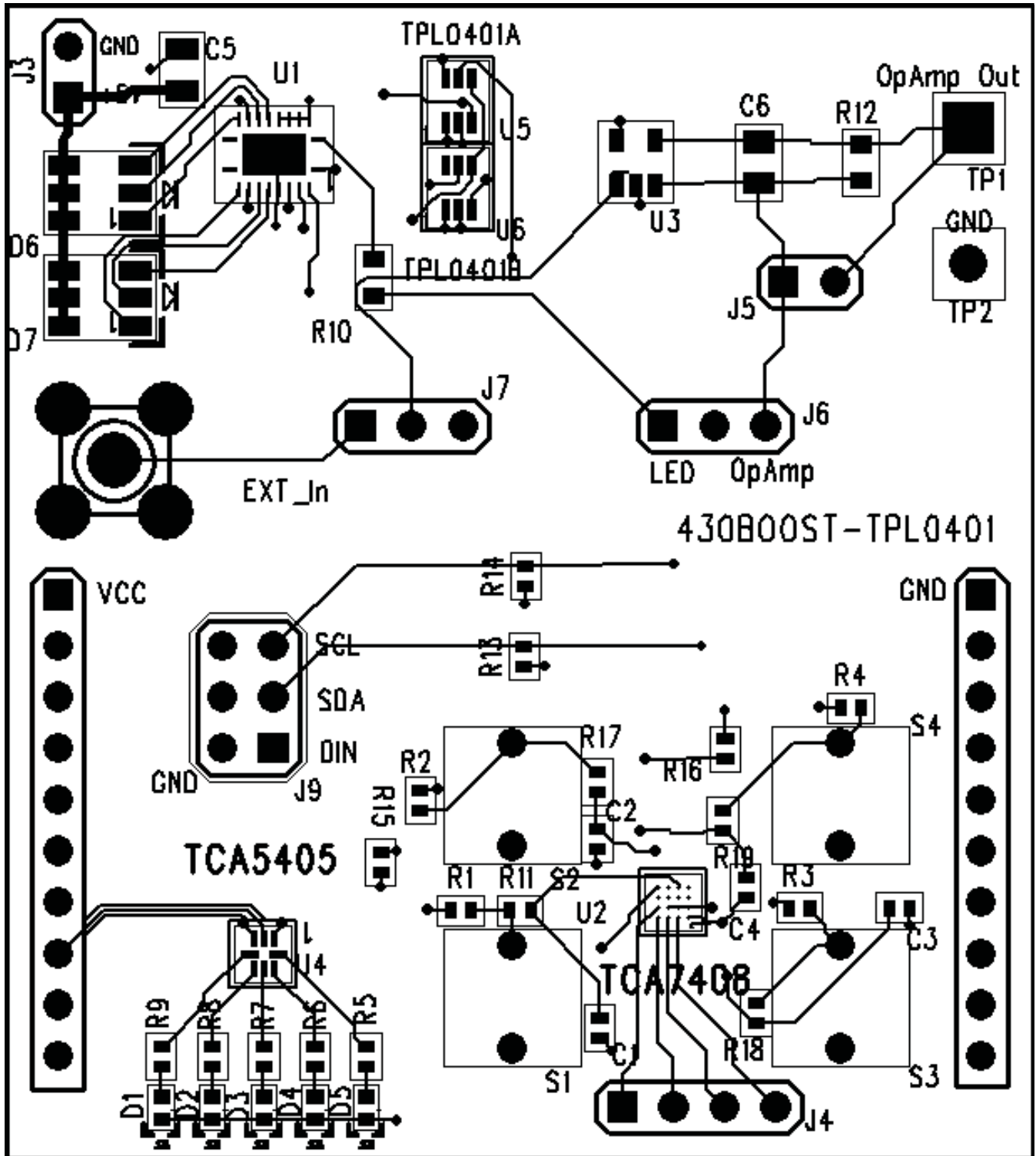


Figure 5. Routing, Assembly and Silkscreen Top

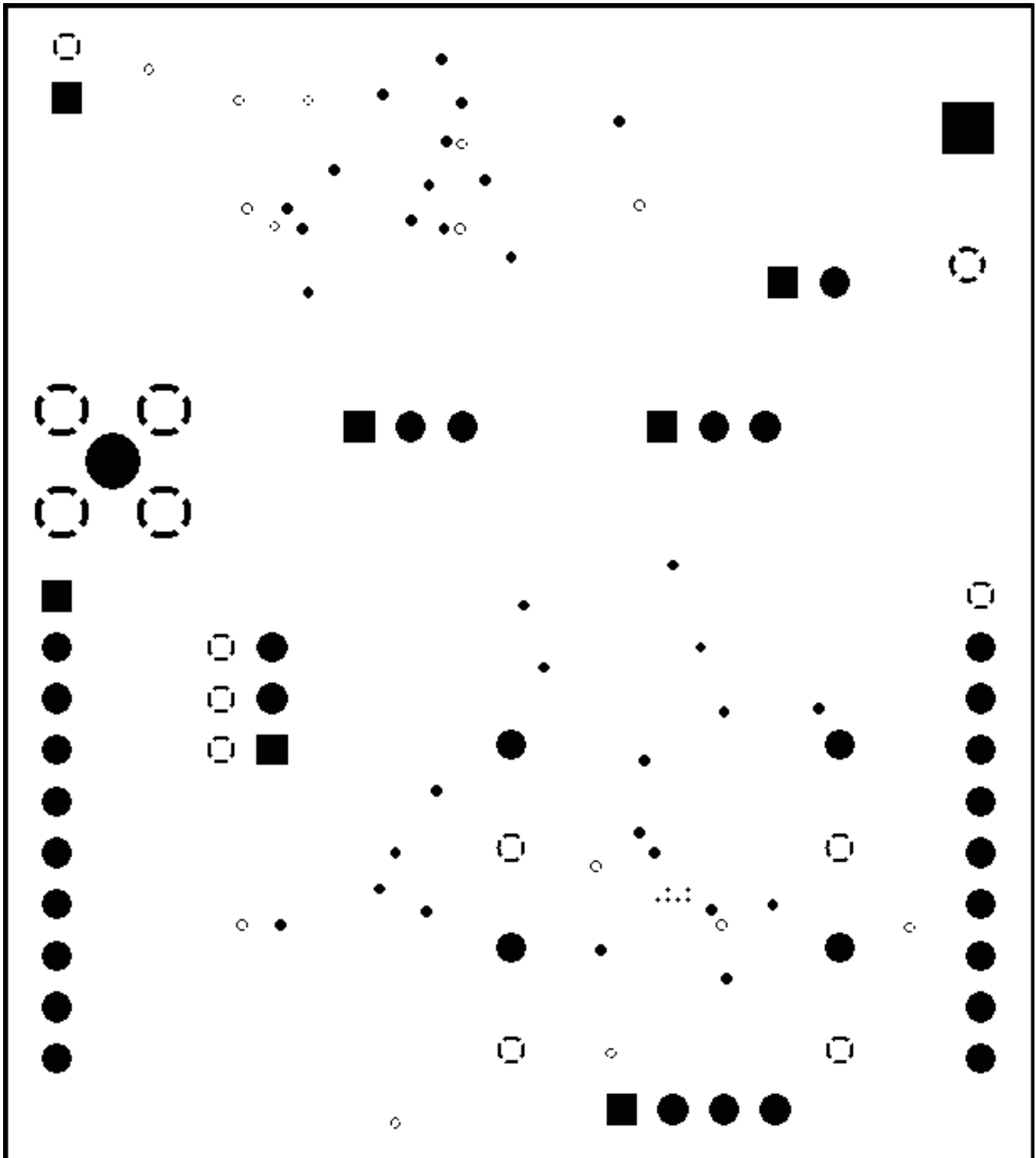


Figure 6. Layer 2 Power Plane

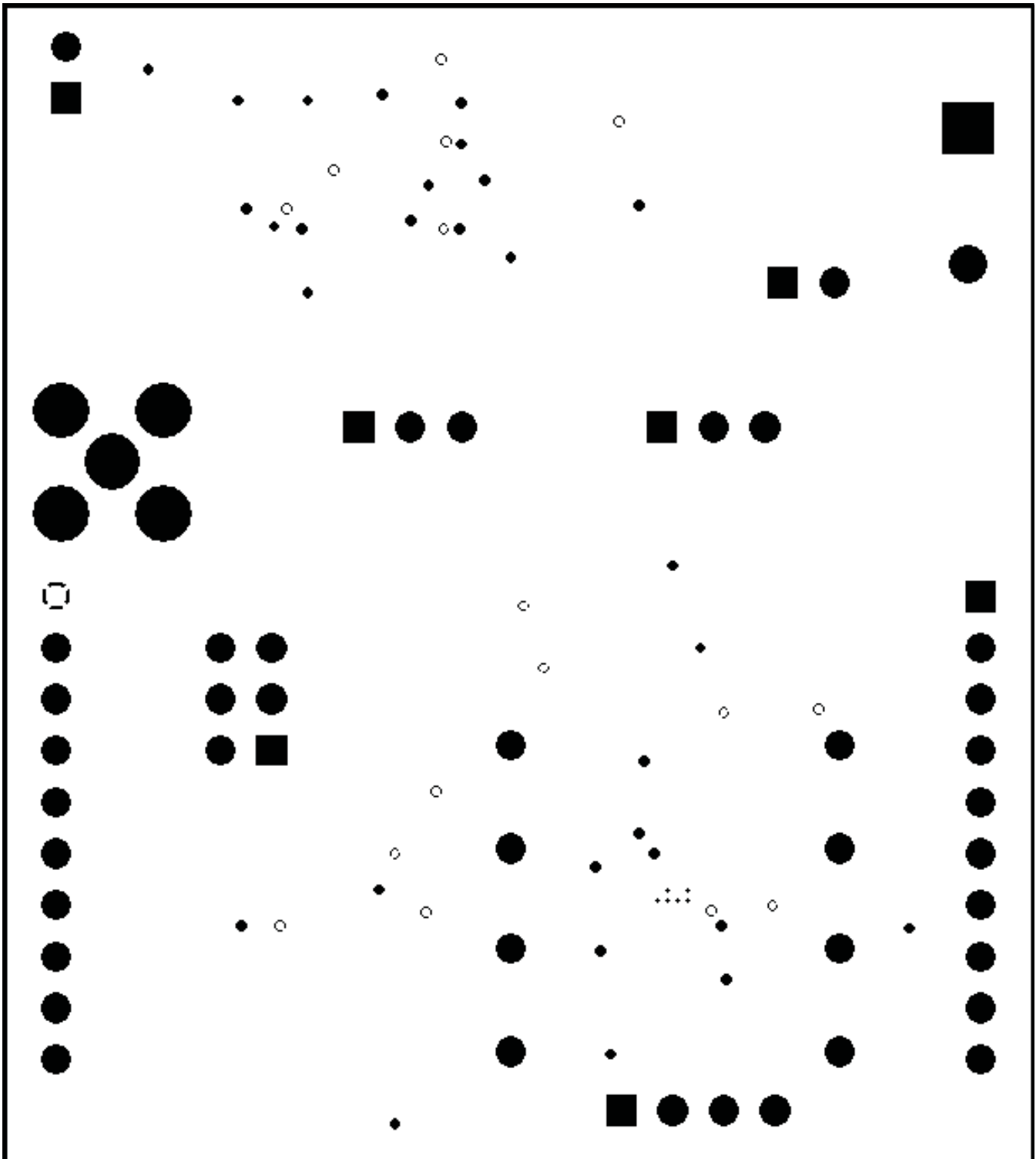


Figure 7. Layer 3 Ground Plane

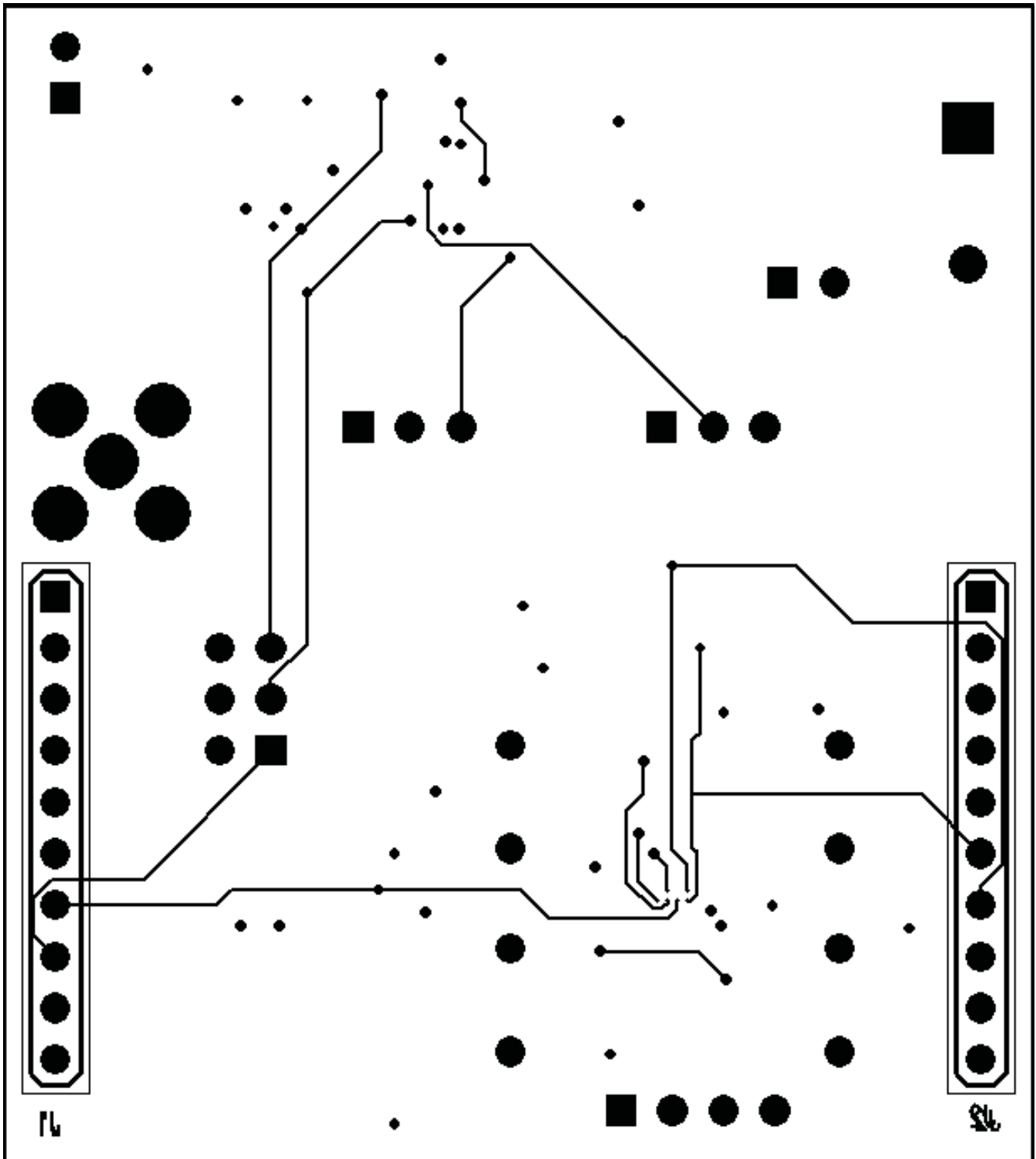


Figure 8. Routing and Assembly Bottom

5.3 Bill of Materials

Table 2. TCA7408EVM/TCA5405EVM Bill of Material

Qty	RefDes	Value	Description	Part Number	MFG	Notes
4	C1-4	0.1 μ	Capacitor, Ceramic			
1	C5	10 μ	Capacitor, Ceramic			
1	C6		Capacitor, Ceramic			DNI
1	J8		Connector, SMA , Straight, PC mount	901-144-8RFX	AMP	DNI
5	D1-5	SML-P12PTT86	Diode, LED, GREEN 2.2V 20mA	SML-P12PTT86	ROHM	
2	D6-7	APF3236SURKZGQ BDC	LED SMD TRI Color	APF3236SURKZGQBDC	Kingbright	
2	J3 J5		Header, Male 2-pin, 100mil spacing		Sullins	
2	J6-7		Header, Male 3-pin, 100mil spacing		Sullins	
1	J4		Header, Male 4-pin, 100mil spacing		Sullins	
2	J1-2	PPTC101LFBN-RC	Header, Female 10-pin, 100mil spacing	PPTC101LFBN-RC	Sullins	
1	J9		Header, Male 2x3-pin, 100mil spacing		Sullins	DNI
2	R15-16	100k	Resistor, Chip, 1/16W 5%			
10	R1-R4 R11 R13-R14 R17-R19	10k	Resistor, Chip, 1/16W 5%			
5	R5-9	200	Resistor, Chip, 1/16W 1%			
1	R10	250	Resistor, Chip, 1/16W, 1%			
1	R12	{value}	Resistor, Chip, 1/16W, 5%			DNI
1	TP2	5001	Test Point, Black, Thru Hole Color Keyed	5001	Keystone	
1	TP1	5013	Test Point, Orange, Thru Hole	5013	Keystone	
4	S1-4	EVQ221304M	Switch, SPST, 20-mA, 15-V	EVQ21304M; EVQ21305R; EVQ21307K	Panasonic	Prefer EVQ21304M if unavailable use 305R or 307K
1	U3	LMV321IDBVR	IC Low Power Single Op-amp	LMV321IDBVR	TI	
1	U4	TCA5405RUG	IC, Low Voltage 5-Bit Self-Timed, Single-Wire Output Expander	TCA5405RUG	TI	
1	U2	TCA7408ZSZ	IC, Low-Voltage 8-Bit I2C and SMBus I/O Expander	TCA7408ZSZ	TI	
1	U1	TLC59108RGY	IC, 8-BIT Fm+ I2C-Bus Constant-Current LED Sink Driver	TLC59108RGY	TI	
1	U5	TPL0401ADCK	IC, Digital POT, 1Chan, 128Tap	TPL0401ADCK	TI	
1	U6	TPL0401BDCK	IC, Digital POT, 1Chan, 128Tap	TPL0401BDCK	TI	

EVALUATION BOARD/KIT/MODULE (EVM) ADDITIONAL TERMS

Texas Instruments (TI) provides the enclosed Evaluation Board/Kit/Module (EVM) under the following conditions:

The user assumes all responsibility and liability for proper and safe handling of the goods. Further, the user indemnifies TI from all claims arising from the handling or use of the goods.

Should this evaluation board/kit not meet the specifications indicated in the User's Guide, the board/kit may be returned within 30 days from the date of delivery for a full refund. THE FOREGOING LIMITED WARRANTY IS THE EXCLUSIVE WARRANTY MADE BY SELLER TO BUYER AND IS IN LIEU OF ALL OTHER WARRANTIES, EXPRESSED, IMPLIED, OR STATUTORY, INCLUDING ANY WARRANTY OF MERCHANTABILITY OR FITNESS FOR ANY PARTICULAR PURPOSE. EXCEPT TO THE EXTENT OF THE INDEMNITY SET FORTH ABOVE, NEITHER PARTY SHALL BE LIABLE TO THE OTHER FOR ANY INDIRECT, SPECIAL, INCIDENTAL, OR CONSEQUENTIAL DAMAGES.

Please read the User's Guide and, specifically, the Warnings and Restrictions notice in the User's Guide prior to handling the product. This notice contains important safety information about temperatures and voltages. For additional information on TI's environmental and/or safety programs, please visit www.ti.com/esh or contact TI.

No license is granted under any patent right or other intellectual property right of TI covering or relating to any machine, process, or combination in which such TI products or services might be or are used. TI currently deals with a variety of customers for products, and therefore our arrangement with the user is not exclusive. TI assumes no liability for applications assistance, customer product design, software performance, or infringement of patents or services described herein.

REGULATORY COMPLIANCE INFORMATION

As noted in the EVM User's Guide and/or EVM itself, this EVM and/or accompanying hardware may or may not be subject to the Federal Communications Commission (FCC) and Industry Canada (IC) rules.

For EVMs **not** subject to the above rules, this evaluation board/kit/module is intended for use for ENGINEERING DEVELOPMENT, DEMONSTRATION OR EVALUATION PURPOSES ONLY and is not considered by TI to be a finished end product fit for general consumer use. It generates, uses, and can radiate radio frequency energy and has not been tested for compliance with the limits of computing devices pursuant to part 15 of FCC or ICES-003 rules, which are designed to provide reasonable protection against radio frequency interference. Operation of the equipment may cause interference with radio communications, in which case the user at his own expense will be required to take whatever measures may be required to correct this interference.

General Statement for EVMs including a radio

User Power/Frequency Use Obligations: This radio is intended for development/professional use only in legally allocated frequency and power limits. Any use of radio frequencies and/or power availability of this EVM and its development application(s) must comply with local laws governing radio spectrum allocation and power limits for this evaluation module. It is the user's sole responsibility to only operate this radio in legally acceptable frequency space and within legally mandated power limitations. Any exceptions to this are strictly prohibited and unauthorized by Texas Instruments unless user has obtained appropriate experimental/development licenses from local regulatory authorities, which is responsibility of user including its acceptable authorization.

For EVMs annotated as FCC – FEDERAL COMMUNICATIONS COMMISSION Part 15 Compliant

Caution

This device complies with part 15 of the FCC Rules. Operation is subject to the following two conditions: (1) This device may not cause harmful interference, and (2) this device must accept any interference received, including interference that may cause undesired operation.

Changes or modifications not expressly approved by the party responsible for compliance could void the user's authority to operate the equipment.

FCC Interference Statement for Class A EVM devices

This equipment has been tested and found to comply with the limits for a Class A digital device, pursuant to part 15 of the FCC Rules. These limits are designed to provide reasonable protection against harmful interference when the equipment is operated in a commercial environment. This equipment generates, uses, and can radiate radio frequency energy and, if not installed and used in accordance with the instruction manual, may cause harmful interference to radio communications. Operation of this equipment in a residential area is likely to cause harmful interference in which case the user will be required to correct the interference at his own expense.

FCC Interference Statement for Class B EVM devices

This equipment has been tested and found to comply with the limits for a Class B digital device, pursuant to part 15 of the FCC Rules. These limits are designed to provide reasonable protection against harmful interference in a residential installation. This equipment generates, uses and can radiate radio frequency energy and, if not installed and used in accordance with the instructions, may cause harmful interference to radio communications. However, there is no guarantee that interference will not occur in a particular installation. If this equipment does cause harmful interference to radio or television reception, which can be determined by turning the equipment off and on, the user is encouraged to try to correct the interference by one or more of the following measures:

- Reorient or relocate the receiving antenna.
- Increase the separation between the equipment and receiver.
- Connect the equipment into an outlet on a circuit different from that to which the receiver is connected.
- Consult the dealer or an experienced radio/TV technician for help.

For EVMs annotated as IC – INDUSTRY CANADA Compliant

This Class A or B digital apparatus complies with Canadian ICES-003.

Changes or modifications not expressly approved by the party responsible for compliance could void the user's authority to operate the equipment.

Concerning EVMs including radio transmitters

This device complies with Industry Canada licence-exempt RSS standard(s). Operation is subject to the following two conditions: (1) this device may not cause interference, and (2) this device must accept any interference, including interference that may cause undesired operation of the device.

Concerning EVMs including detachable antennas

Under Industry Canada regulations, this radio transmitter may only operate using an antenna of a type and maximum (or lesser) gain approved for the transmitter by Industry Canada. To reduce potential radio interference to other users, the antenna type and its gain should be so chosen that the equivalent isotropically radiated power (e.i.r.p.) is not more than that necessary for successful communication.

This radio transmitter has been approved by Industry Canada to operate with the antenna types listed in the user guide with the maximum permissible gain and required antenna impedance for each antenna type indicated. Antenna types not included in this list, having a gain greater than the maximum gain indicated for that type, are strictly prohibited for use with this device.

Cet appareil numérique de la classe A ou B est conforme à la norme NMB-003 du Canada.

Les changements ou les modifications pas expressément approuvés par la partie responsable de la conformité ont pu vider l'autorité de l'utilisateur pour actionner l'équipement.

Concernant les EVMs avec appareils radio

Le présent appareil est conforme aux CNR d'Industrie Canada applicables aux appareils radio exempts de licence. L'exploitation est autorisée aux deux conditions suivantes : (1) l'appareil ne doit pas produire de brouillage, et (2) l'utilisateur de l'appareil doit accepter tout brouillage radioélectrique subi, même si le brouillage est susceptible d'en compromettre le fonctionnement.

Concernant les EVMs avec antennes détachables

Conformément à la réglementation d'Industrie Canada, le présent émetteur radio peut fonctionner avec une antenne d'un type et d'un gain maximal (ou inférieur) approuvé pour l'émetteur par Industrie Canada. Dans le but de réduire les risques de brouillage radioélectrique à l'intention des autres utilisateurs, il faut choisir le type d'antenne et son gain de sorte que la puissance isotrope rayonnée équivalente (p.i.r.e.) ne dépasse pas l'intensité nécessaire à l'établissement d'une communication satisfaisante.

Le présent émetteur radio a été approuvé par Industrie Canada pour fonctionner avec les types d'antenne énumérés dans le manuel d'usage et ayant un gain admissible maximal et l'impédance requise pour chaque type d'antenne. Les types d'antenne non inclus dans cette liste, ou dont le gain est supérieur au gain maximal indiqué, sont strictement interdits pour l'exploitation de l'émetteur.

【Important Notice for Users of this Product in Japan】

This development kit is NOT certified as Confirming to Technical Regulations of Radio Law of Japan

If you use this product in Japan, you are required by Radio Law of Japan to follow the instructions below with respect to this product:

1. Use this product in a shielded room or any other test facility as defined in the notification #173 issued by Ministry of Internal Affairs and Communications on March 28, 2006, based on Sub-section 1.1 of Article 6 of the Ministry's Rule for Enforcement of Radio Law of Japan,
2. Use this product only after you obtained the license of Test Radio Station as provided in Radio Law of Japan with respect to this product, or
3. Use of this product only after you obtained the Technical Regulations Conformity Certification as provided in Radio Law of Japan with respect to this product. Also, please do not transfer this product, unless you give the same notice above to the transferee. Please note that if you could not follow the instructions above, you will be subject to penalties of Radio Law of Japan.

Texas Instruments Japan Limited
(address) 24-1, Nishi-Shinjuku 6 chome, Shinjuku-ku, Tokyo, Japan

<http://www.tij.co.jp>

【ご使用にあたっての注】

本開発キットは技術基準適合証明を受けておりません。

本製品のご使用に際しては、電波法遵守のため、以下のいずれかの措置を取っていただく必要がありますのでご注意ください。

1. 電波法施行規則第6条第1項第1号に基づく平成18年3月28日総務省告示第173号で定められた電波暗室等の試験設備でご使用いただく。
2. 実験局の免許を取得後ご使用いただく。
3. 技術基準適合証明を取得後ご使用いただく。

なお、本製品は、上記の「ご使用にあたっての注意」を譲渡先、移転先に通知しない限り、譲渡、移転できないものとします。

上記を遵守頂けない場合は、電波法の罰則が適用される可能性があることをご留意ください。

日本テキサス・インスツルメンツ株式会社
東京都新宿区西新宿6丁目24番1号
西新宿三井ビル

<http://www.tij.co.jp>

EVALUATION BOARD/KIT/MODULE (EVM) WARNINGS, RESTRICTIONS AND DISCLAIMERS

For Feasibility Evaluation Only, in Laboratory/Development Environments. Unless otherwise indicated, this EVM is not a finished electrical equipment and not intended for consumer use. It is intended solely for use for preliminary feasibility evaluation in laboratory/development environments by technically qualified electronics experts who are familiar with the dangers and application risks associated with handling electrical mechanical components, systems and subsystems. It should not be used as all or part of a finished end product.

Your Sole Responsibility and Risk. You acknowledge, represent and agree that:

1. You have unique knowledge concerning Federal, State and local regulatory requirements (including but not limited to Food and Drug Administration regulations, if applicable) which relate to your products and which relate to your use (and/or that of your employees, affiliates, contractors or designees) of the EVM for evaluation, testing and other purposes.
2. You have full and exclusive responsibility to assure the safety and compliance of your products with all such laws and other applicable regulatory requirements, and also to assure the safety of any activities to be conducted by you and/or your employees, affiliates, contractors or designees, using the EVM. Further, you are responsible to assure that any interfaces (electronic and/or mechanical) between the EVM and any human body are designed with suitable isolation and means to safely limit accessible leakage currents to minimize the risk of electrical shock hazard.
3. You will employ reasonable safeguards to ensure that your use of the EVM will not result in any property damage, injury or death, even if the EVM should fail to perform as described or expected.
4. You will take care of proper disposal and recycling of the EVM's electronic components and packing materials.

Certain Instructions. It is important to operate this EVM within TI's recommended specifications and environmental considerations per the user guidelines. Exceeding the specified EVM ratings (including but not limited to input and output voltage, current, power, and environmental ranges) may cause property damage, personal injury or death. If there are questions concerning these ratings please contact a TI field representative prior to connecting interface electronics including input power and intended loads. Any loads applied outside of the specified output range may result in unintended and/or inaccurate operation and/or possible permanent damage to the EVM and/or interface electronics. Please consult the EVM User's Guide prior to connecting any load to the EVM output. If there is uncertainty as to the load specification, please contact a TI field representative. During normal operation, some circuit components may have case temperatures greater than 60°C as long as the input and output are maintained at a normal ambient operating temperature. These components include but are not limited to linear regulators, switching transistors, pass transistors, and current sense resistors which can be identified using the EVM schematic located in the EVM User's Guide. When placing measurement probes near these devices during normal operation, please be aware that these devices may be very warm to the touch. As with all electronic evaluation tools, only qualified personnel knowledgeable in electronic measurement and diagnostics normally found in development environments should use these EVMs.

Agreement to Defend, Indemnify and Hold Harmless. You agree to defend, indemnify and hold TI, its licensors and their representatives harmless from and against any and all claims, damages, losses, expenses, costs and liabilities (collectively, "Claims") arising out of or in connection with any use of the EVM that is not in accordance with the terms of the agreement. This obligation shall apply whether Claims arise under law of tort or contract or any other legal theory, and even if the EVM fails to perform as described or expected.

Safety-Critical or Life-Critical Applications. If you intend to evaluate the components for possible use in safety critical applications (such as life support) where a failure of the TI product would reasonably be expected to cause severe personal injury or death, such as devices which are classified as FDA Class III or similar classification, then you must specifically notify TI of such intent and enter into a separate Assurance and Indemnity Agreement.

Mailing Address: Texas Instruments, Post Office Box 655303, Dallas, Texas 75265
Copyright © 2012, Texas Instruments Incorporated

IMPORTANT NOTICE

Texas Instruments Incorporated and its subsidiaries (TI) reserve the right to make corrections, enhancements, improvements and other changes to its semiconductor products and services per JESD46, latest issue, and to discontinue any product or service per JESD48, latest issue. Buyers should obtain the latest relevant information before placing orders and should verify that such information is current and complete. All semiconductor products (also referred to herein as "components") are sold subject to TI's terms and conditions of sale supplied at the time of order acknowledgment.

TI warrants performance of its components to the specifications applicable at the time of sale, in accordance with the warranty in TI's terms and conditions of sale of semiconductor products. Testing and other quality control techniques are used to the extent TI deems necessary to support this warranty. Except where mandated by applicable law, testing of all parameters of each component is not necessarily performed.

TI assumes no liability for applications assistance or the design of Buyers' products. Buyers are responsible for their products and applications using TI components. To minimize the risks associated with Buyers' products and applications, Buyers should provide adequate design and operating safeguards.

TI does not warrant or represent that any license, either express or implied, is granted under any patent right, copyright, mask work right, or other intellectual property right relating to any combination, machine, or process in which TI components or services are used. Information published by TI regarding third-party products or services does not constitute a license to use such products or services or a warranty or endorsement thereof. Use of such information may require a license from a third party under the patents or other intellectual property of the third party, or a license from TI under the patents or other intellectual property of TI.

Reproduction of significant portions of TI information in TI data books or data sheets is permissible only if reproduction is without alteration and is accompanied by all associated warranties, conditions, limitations, and notices. TI is not responsible or liable for such altered documentation. Information of third parties may be subject to additional restrictions.

Resale of TI components or services with statements different from or beyond the parameters stated by TI for that component or service voids all express and any implied warranties for the associated TI component or service and is an unfair and deceptive business practice. TI is not responsible or liable for any such statements.

Buyer acknowledges and agrees that it is solely responsible for compliance with all legal, regulatory and safety-related requirements concerning its products, and any use of TI components in its applications, notwithstanding any applications-related information or support that may be provided by TI. Buyer represents and agrees that it has all the necessary expertise to create and implement safeguards which anticipate dangerous consequences of failures, monitor failures and their consequences, lessen the likelihood of failures that might cause harm and take appropriate remedial actions. Buyer will fully indemnify TI and its representatives against any damages arising out of the use of any TI components in safety-critical applications.

In some cases, TI components may be promoted specifically to facilitate safety-related applications. With such components, TI's goal is to help enable customers to design and create their own end-product solutions that meet applicable functional safety standards and requirements. Nonetheless, such components are subject to these terms.

No TI components are authorized for use in FDA Class III (or similar life-critical medical equipment) unless authorized officers of the parties have executed a special agreement specifically governing such use.

Only those TI components which TI has specifically designated as military grade or "enhanced plastic" are designed and intended for use in military/aerospace applications or environments. Buyer acknowledges and agrees that any military or aerospace use of TI components which have **not** been so designated is solely at the Buyer's risk, and that Buyer is solely responsible for compliance with all legal and regulatory requirements in connection with such use.

TI has specifically designated certain components which meet ISO/TS16949 requirements, mainly for automotive use. Components which have not been so designated are neither designed nor intended for automotive use; and TI will not be responsible for any failure of such components to meet such requirements.

Products

Audio	www.ti.com/audio
Amplifiers	amplifier.ti.com
Data Converters	dataconverter.ti.com
DLP® Products	www.dlp.com
DSP	dsp.ti.com
Clocks and Timers	www.ti.com/clocks
Interface	interface.ti.com
Logic	logic.ti.com
Power Mgmt	power.ti.com
Microcontrollers	microcontroller.ti.com
RFID	www.ti-rfid.com
OMAP Applications Processors	www.ti.com/omap
Wireless Connectivity	www.ti.com/wirelessconnectivity

Applications

Automotive and Transportation	www.ti.com/automotive
Communications and Telecom	www.ti.com/communications
Computers and Peripherals	www.ti.com/computers
Consumer Electronics	www.ti.com/consumer-apps
Energy and Lighting	www.ti.com/energy
Industrial	www.ti.com/industrial
Medical	www.ti.com/medical
Security	www.ti.com/security
Space, Avionics and Defense	www.ti.com/space-avionics-defense
Video and Imaging	www.ti.com/video

TI E2E Community

e2e.ti.com

Mouser Electronics

Authorized Distributor

Click to View Pricing, Inventory, Delivery & Lifecycle Information:

[Texas Instruments:](#)

[TCA7408-5405EVM](#)