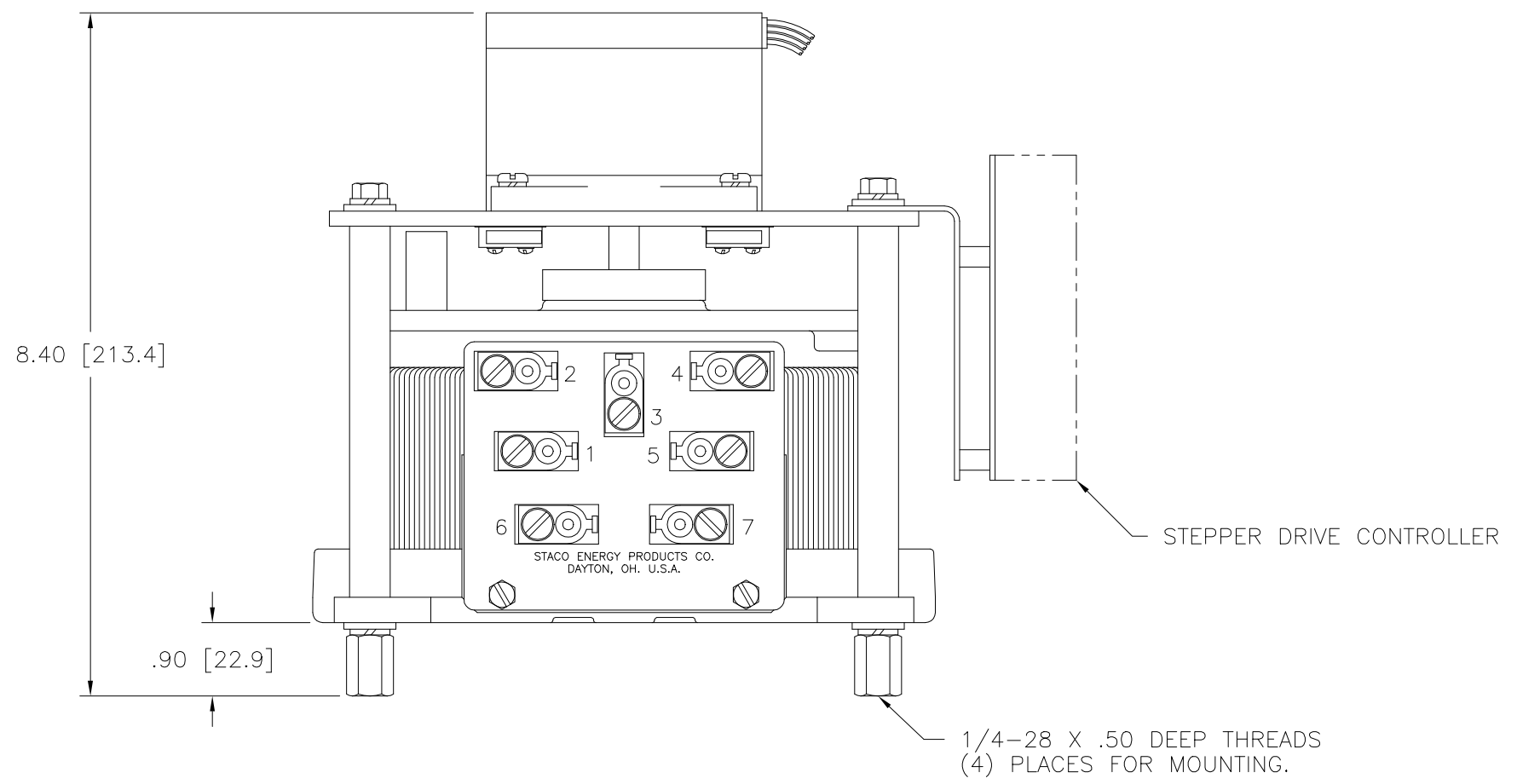
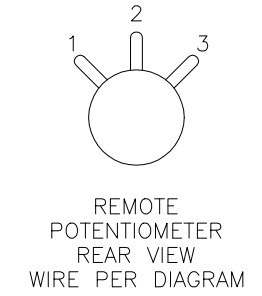
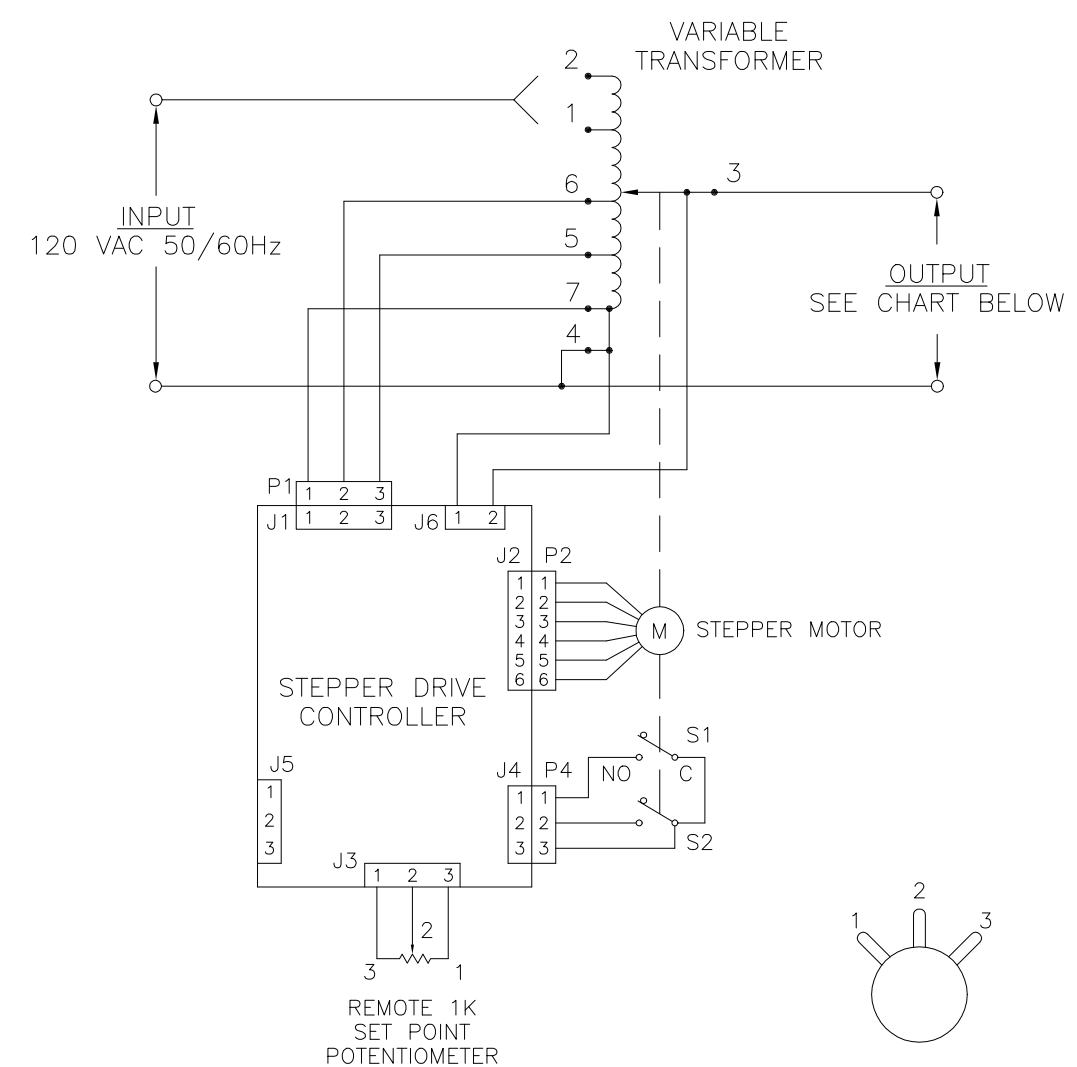
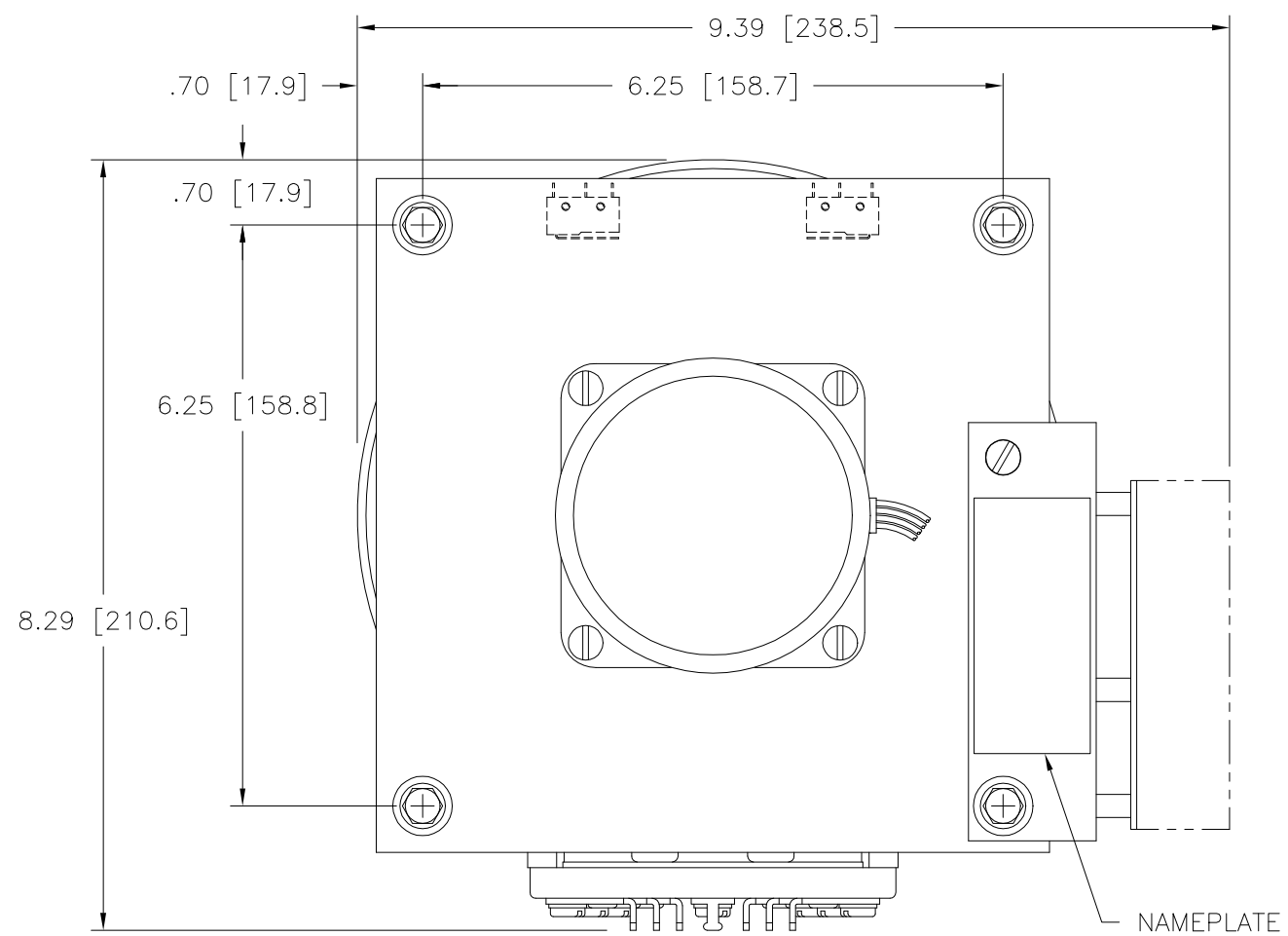


DWG. NO.	095-1805		
REVISIONS			
SYM.	E.C.N.	DATE	APVD.
A	24028	8/18/99	
CLARIFIED 5VDC NOTE			



SET POINT ADJUSTMENT:
 THE OUTPUT SET POINT MAY BE ADJUSTED WITH THE REMOTE 1K POTENTIOMETER PROVIDED OR WITH A 0-5 VDC SIGNAL TO THE J3 CONNECTOR ON THE STEPPER DRIVE CONTROL. MAKE CONNECTIONS TO J3-2(+) & J3-3(-). A NOMINAL +5 VDC SETPOINT SUPPLY IS AVAILABLE AT J3-1 (ADJUSTABLE AT TRIMPOT R22).

SPECIFICATIONS									
WIRING	INPUT		OUTPUT				TERMINAL CONNECTIONS		
	VOLTS	HERTZ	VOLTS	CONSTANT CURRENT LOAD	CONSTANT IMPEDANCE LOAD		INPUT	OUTPUT	
SINGLE PHASE	120	50/60		MAX. AMPS	MAX. KVA	MAX. AMPS	MAX. KVA	2-4	4-3
			0-120	25	3.00	30	3.6	1-4	4-3
			0-140	25	3.50	-	-		

UNLESS OTHERWISE SPECIFIED, TOLERANCE IS #					UNITS				
DECIMALS	HOLES	ANGLES	DRAFT		IN	MM			
.XX	.0005-.0010	1°	1-1/2°						
MATERIAL:					ALL DIMENSIONS APPLY AFTER PLATING				
TITLE: SPEC. CONTROL DRAWING STEPPER DRIVEN VARIABLE TRANSFORMER MODEL SD2510									
DRAWN BY S.A. SMITH		DATE 12/14/95		FIRST USED ON		DO NOT SCALE DWG.		CUSTOMER APPROVAL	
CHECKER		DATE		WEIGHT APPROX. 25.5 LBS		CODE IDENT. NO. 83008		DWG. NO. 095-1805	
ENGINEER		DATE		SCALE 1=1		SHEET 1 OF 1		D	



Mouser Electronics

Authorized Distributor

Click to View Pricing, Inventory, Delivery & Lifecycle Information:

[Staco:](#)

[SD2510](#)