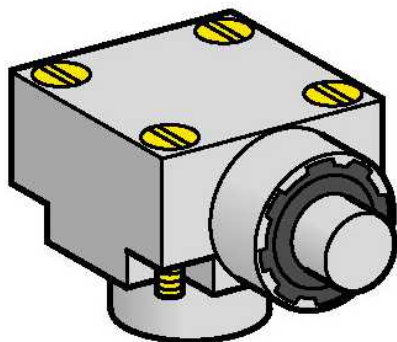


ZCKE635

limit switch head ZCKE - side metal plunger -
+120 °C

Product availability: Non-Stock - Not normally stocked in distribution facility



Main

| | |
|----------------------------|--|
| Commercial Status | Commercialised |
| Range of product | OsiSense XC |
| Series name | Standard format |
| Product or component type | Limit switch head |
| Device short name | ZCKE |
| Head type | Plunger head |
| Product compatibility | XCKJ |
| Associated body | ZCKJ1 ZCKJ11 ZCKJ11H29 ZCKJ11H7 ZCKJ1H29 ZCKJ1H7 ZCKJ2 ZCKJ21 ZCKJ21H29 ZCKJ21H7 ZCKJ2H29 ZCKJ2H7 ZCKJ5 ZCKJ5H29 ZCKJ5H7 ZCKJ6 ZCKJ6H29 ZCKJ6H7 ZCKJ7 ZCKJ7H29 ZCKJ7H7 ZCKJ8 ZCKJ8H29 ZCKJ8H7 ZCKJ9 ZCKJ9H29 ZCKJ9H7 ZCKJD31 ZCKJD31H29 ZCKJD31H7 ZCKJD35 ZCKJD35H29 ZCKJD35H7 ZCKJD37 ZCKJD37H29 ZCKJD37H7 ZCKJD39 ZCKJD39H29 ZCKJD39H7 |
| Movement of operating head | Linear |
| Type of operator | Side plunger spring return metal |
| Type of approach | Lateral approach 1 direction |

Complementary

| | |
|------------------|----------------------|
| Switch actuation | On end |
| Positive opening | With |
| Product weight | 0.44 lb(US) (0.2 kg) |
| Head material | Metal |

The information provided in this documentation contains general descriptions and/or technical characteristics of the performance of the products contained herein. This documentation is not intended as a substitute for and is not to be used for determining suitability or reliability of these products for specific user applications. It is the duty of any such user or integrator to perform the appropriate and complete risk analysis, evaluation and testing of the products with respect to the relevant specific application or use thereof. Neither Schneider Electric Industries SAS nor any of its affiliates or subsidiaries shall be responsible or liable for misuse of the information contained herein.

Environment

| | |
|---------------------------------------|------------------|
| Ambient air temperature for operation | 10...120 °C |
| Ambient air temperature for storage | 10...120 °C |
| Environmental characteristic | High temperature |

Ordering and shipping details

| | |
|-----------------------|---|
| Category | 22411 - LIMIT SWITCHES,IEC,XCKJ |
| Discount Schedule | T |
| GTIN | 003389110355543 |
| Nbr. of units in pkg. | 1 |
| Package weight(Lbs) | 0.80 |
| Product availability | Non-Stock - Not normally stocked in distribution facility |
| Returnability | Y |
| Country of origin | FR |

Offer Sustainability

| | |
|----------------------------------|--|
| Sustainable offer status | Not Green Premium product |
| RoHS | Will be Compliant on 4Q2013 |
| REACH | Reference not containing SVHC above the threshold |
| Product environmental profile | Available Download Product Environmental |
| Product end of life instructions | Need no specific recycling operations |

Contractual warranty

| | |
|--------|-----------|
| Period | 18 months |
|--------|-----------|

Mouser Electronics

Authorized Distributor

Click to View Pricing, Inventory, Delivery & Lifecycle Information:

[Schneider Electric:](#)

[ZCKE635](#)