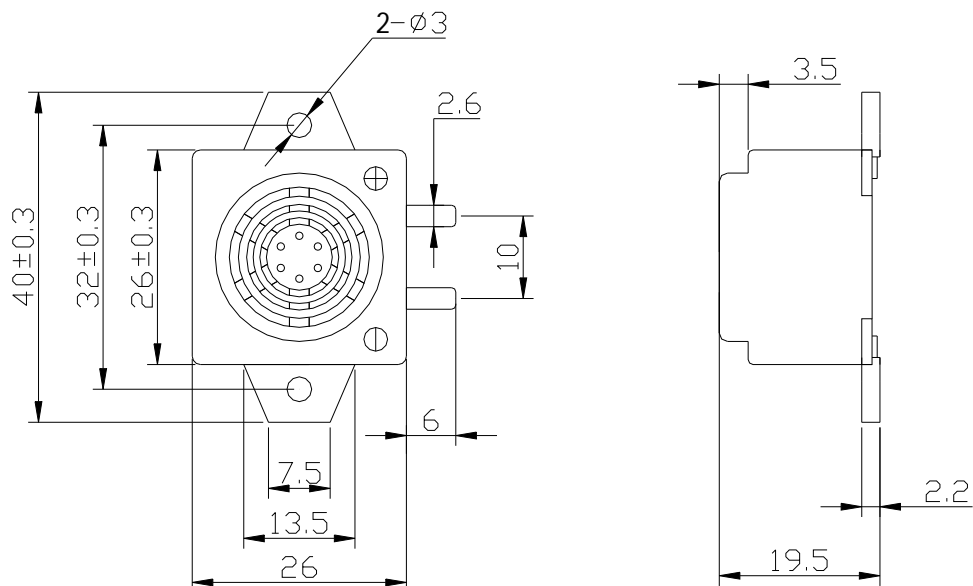


Sales Outline DrawingRevision **A****Specifications:**

Oscillation Frequency (Hz)	450 ± 100
Operating Voltage (Vdc)	4 ~ 8
Rated Voltage (Vdc)	6
Current Consumption (mA/max)	40 at Rated Voltage
Sound Pressure Level (dB/min)	95 at 10cm at Rated Voltage
Tone/Pulse Rate (Hz0)	Constant
Operating Temperature (°C)	-30 ~ +70
Storage Temperature (°C)	-40 ~ +80
Housing	ABS757 plastic resin (Color: Yellow)
Lead Pins	Tin Plated Brass
Weight (Grams)	15
Options	For other options contact factory

RoHS Compliant**Dimensions:** (units: mm)

Mouser Electronics

Authorized Distributor

Click to View Pricing, Inventory, Delivery & Lifecycle Information:

[Mallory Sonalert:](#)

[PK-26N04P-06AQ](#)