

D

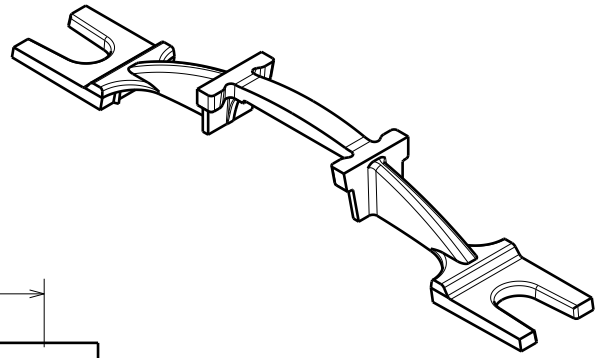
C

B

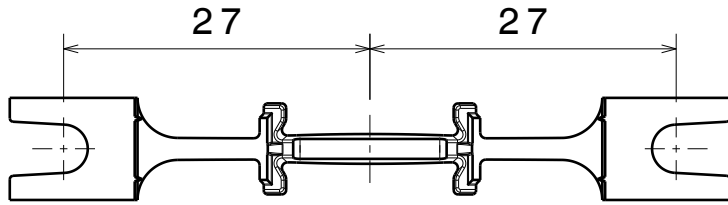
A

4

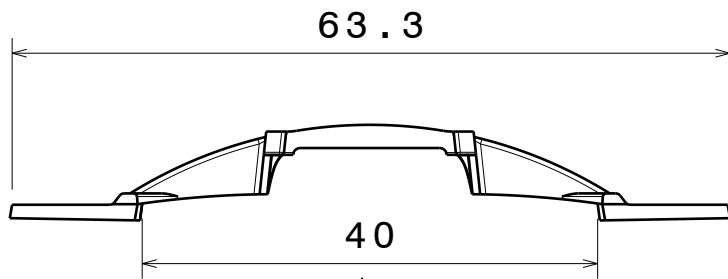
4



Isometric view

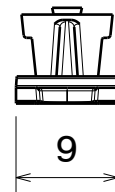


Bottom view

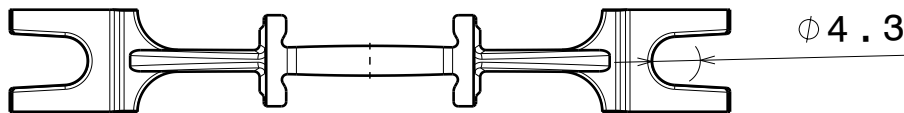


Right view

PCB max width
 PCB max height: 1.6mm



Front view



Top view

3

3

2

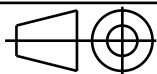
2

Tolerances if not otherwise shown
 According to DIN ISO 2768-1
 Linear measures: class C
 According to DIN ISO 2768-2
 Form and position: class L



Ledil Oy
 Salorankatu 10
 FIN 24240 SALO
 Finland

THIRD ANGLE PROJECTION:



DRAWING TITLE

FLORENCE-1R-CLIP-A Datasheet

This drawing is the property of LEDiL Oy. It may not be reproduced, copied or communicated without a written agreement with LEDiL Oy.

SIZE	PART NUMBER
------	-------------

A4

C14353

SCALE	3:2	WEIGHT	-
-------	-----	--------	---

SHEET	1/1
-------	-----

1

1

D

A

Mouser Electronics

Authorized Distributor

Click to View Pricing, Inventory, Delivery & Lifecycle Information:

[Ledi:](#)

[CA13609_G2-OSS-2-M](#)