

D

C

B

A

4

4

3

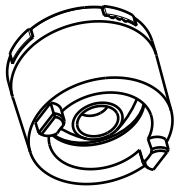
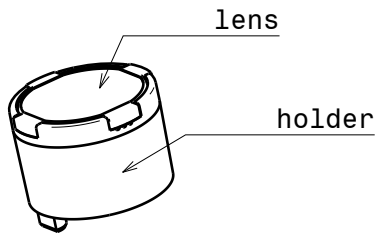
3

2

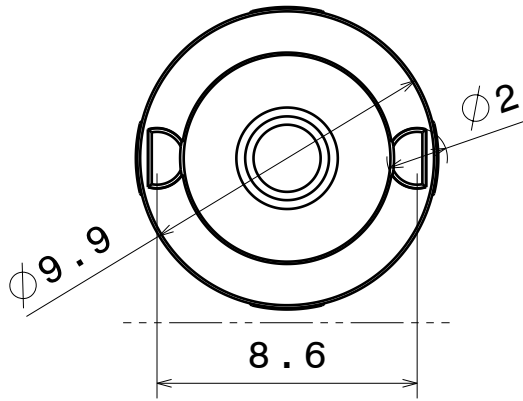
2

1

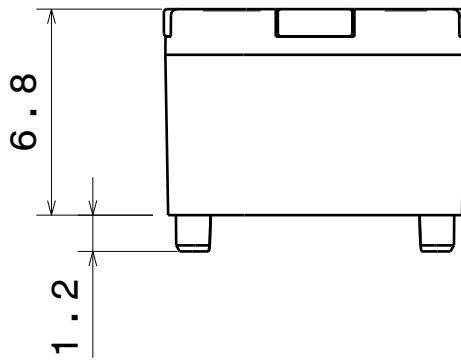
1



Isometric view
Scale: 2:1



Bottom view



Front view

Materials:
Lens PMMA
Holder PC

This drawing is our property.
It can't be reproduced
or communicated without
our written agreement.



Ledil Oy
Salorankatu 10
FIN-24240 SALO
Finland

DRAWING TITLE

Datasheet Lisa2-Pin-XT Series Assy

| | |
|----------------|--------------------|
| DRAWN BY pl | DATE 20.06.2012 |
|----------------|--------------------|

| | |
|------------|------|
| CHECKED BY | DATE |
|------------|------|

| | | |
|------------|----------------|----------|
| SIZE A4 | DRAWING NUMBER | REV 1 |
|------------|----------------|----------|

| | |
|-------------------|--------------------|
| DESIGNED BY pl | DATE 20.06.2012 |
|-------------------|--------------------|

| | | |
|--------------|------------|--------------|
| SCALE 4:1 | WEIGHT (g) | SHEET 1/1 |
|--------------|------------|--------------|

D

A

Mouser Electronics

Authorized Distributor

Click to View Pricing, Inventory, Delivery & Lifecycle Information:

[Ledi:](#)

[FP13029_LISA2-WW-CLIP](#)