

D

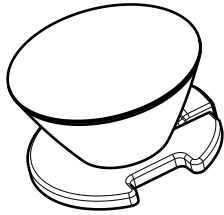
C

B

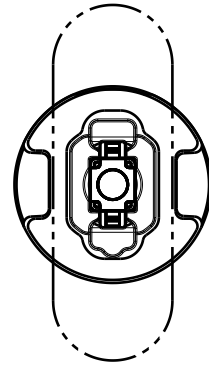
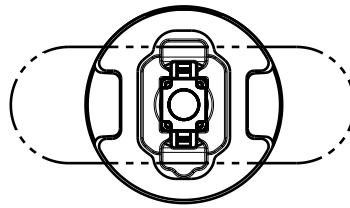
A

CA10319-0-0

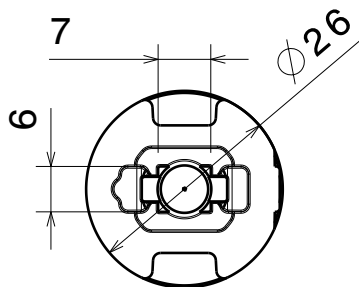
CA11240-0-0-90



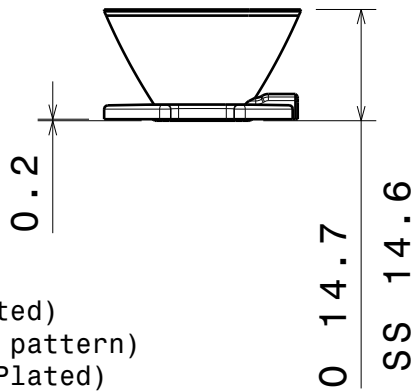
Isometric view



Light beam direction



Bottom view



Front view

Material: PMMA

- CA10318_Titanium-0-SS
- CA10319_Titanium-0-0
- CA10968_Titanium-0-SS(MetalPlated)
- CA11240_Titanium-0-0-90(turned pattern)
- CA11241_Titanium-0-0C-90(MetalPlated)
- CA10252_Titanium-0-M

Tolerances:
 < 20mm tolerance value $\pm 0.1\text{mm}$
 (21-45)mm tolerance value $\pm 0.2\text{mm}$

Note: Tape is 0.4mm thick,
 add 0.2mm to shown dim.
 for assembly height

This drawing is our property.
 It can't be reproduced
 or communicated without
 our written agreement.



L
T
F
F

e
e
i
i
N
n

d
h

DRAWING TITLE

Datasheet Titanium-0 Lens Series

DRAWN BY p	DATE 24.01.2012
---------------	--------------------

CHECKED BY t k	DATE 25.03.2008
-------------------	--------------------

DESIGNED BY hh	DATE 25.03.2008
-------------------	--------------------

SIZE A4	DRAWING NUMBER	REV 2
------------	----------------	----------

SCALE 1:1	WEIGHT (g)	SHEET 1/1
--------------	------------	--------------

D

A

4

4

3

3

2

2

1

1

Mouser Electronics

Authorized Distributor

Click to View Pricing, Inventory, Delivery & Lifecycle Information:

[Ledi:](#)

[CA11539_TITANUM-O-C](#) [CA11539_TITANUM-M-C](#) [CA12982_LAURA-R-XW](#) [CA13057_FLARE-MINI-AD](#)