

DETAILS

Product Number	FP11958_LISA2-WWW-CLIP
Family	Lisa
Type	Assembly
Color	black
Diameter	9,9 mm
Height	6,6 mm
Style	round
Optic Material	PMMA
Holder Material	
Fastening	glue, clips
Status	production ready
ROHS Compliant	Yes
Date Updated	20/06/2017



OPTICAL PROPERTIES

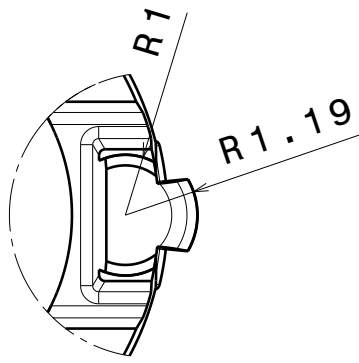
LED	Viewing	Light	Effi-	cd/lm	Connector
	Angle	Beam	ciency		
LUXEON IR Compact	sim: 91	WWW-class	sim: 76 %	sim: 0.000	-
Oslon SSL 80	70 deg	WWW-class	77 %	0.700	-
Oslon SSL 150	94 deg	WWW-class	70 %	0.400	-
SFH 4770S	sim: 55	WWW-class	sim: 96 %	-	-

D

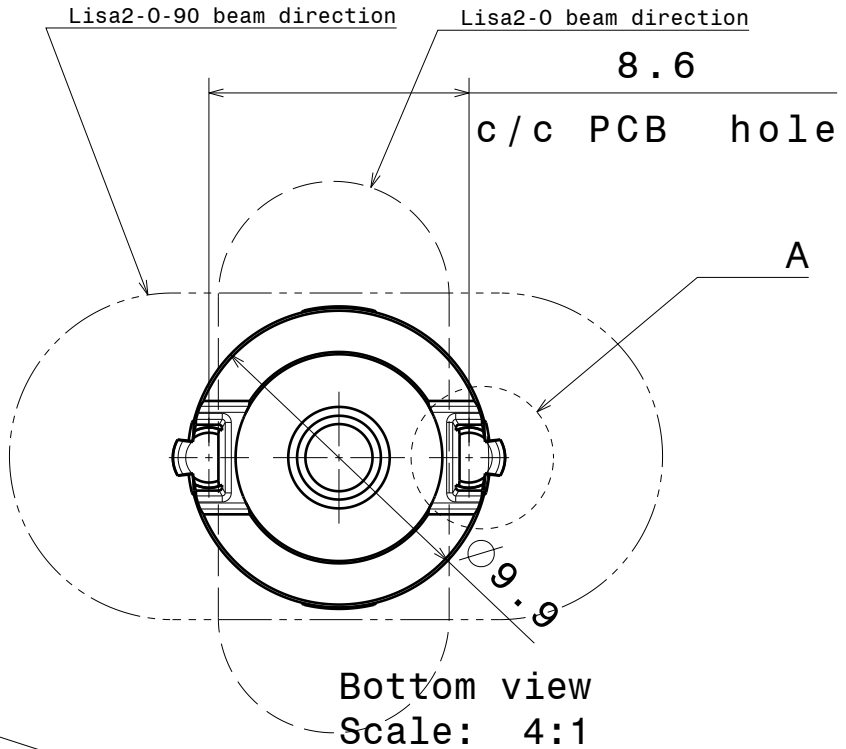
C

B

A



Detail A
Scale: 8:1

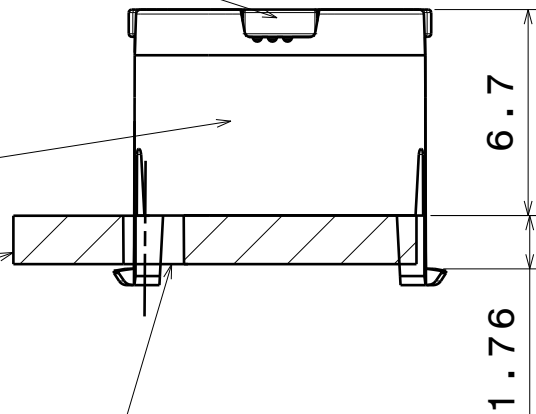


Bottom view
Scale: 4:1

Lens

Holder

Reference PCB



Front view
Scale: 4:1

Materials:
Lens PMMA
Holder PC

Note:
Take tolerances
into account
when specifying
positioning
holes for PCB

This drawing is our property.
It can't be reproduced
or communicated without
our written agreement.



Ledil Oy
Tehdaskatu 13
FIN-24100 SALO
Finland

DRAWING TITLE

Datasheet Lisa2-clip16-0SL series Assy

DRAWN BY
ch

DATE
20.7.2011

CHECKED BY
sn

DATE
20.7.2011

SIZE
A4

DRAWING NUMBER

REV
2

DESIGNED BY
hh

DATE
19.10.2009

SCALE

4:1

WEIGHT (g)

SHEET

1/1

D

A

4

4

3

3

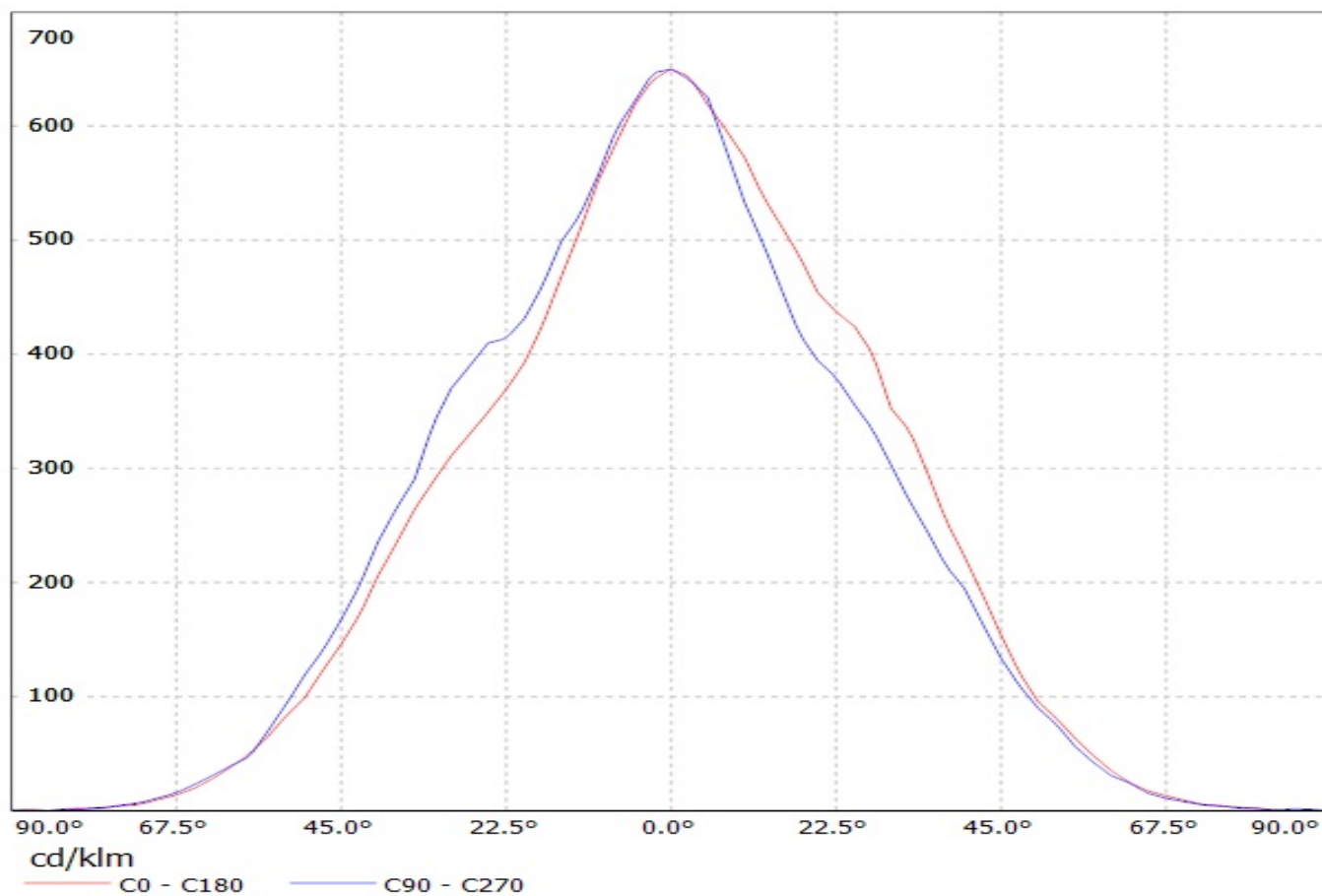
2

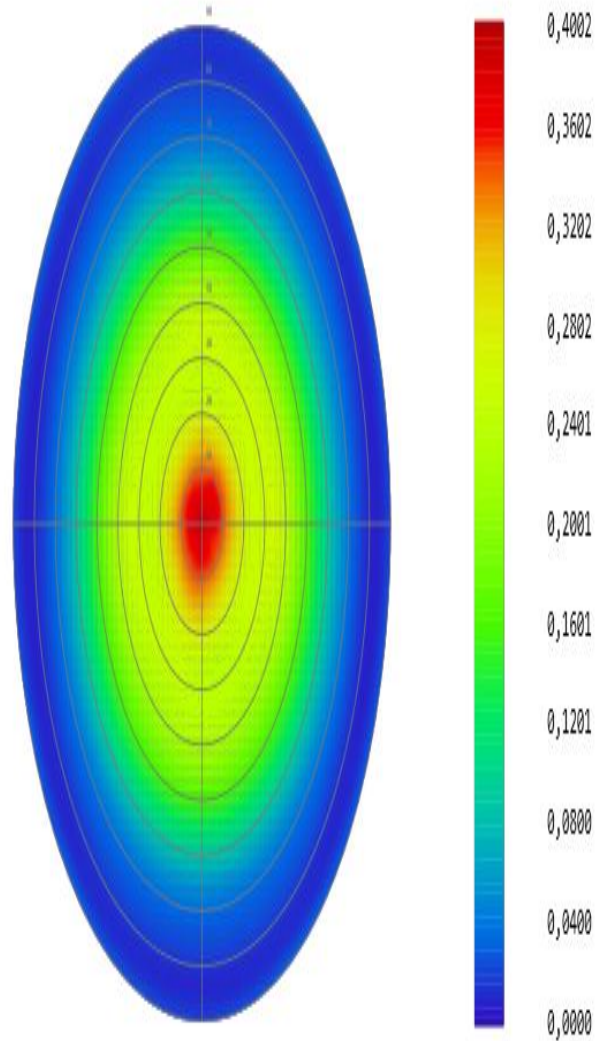
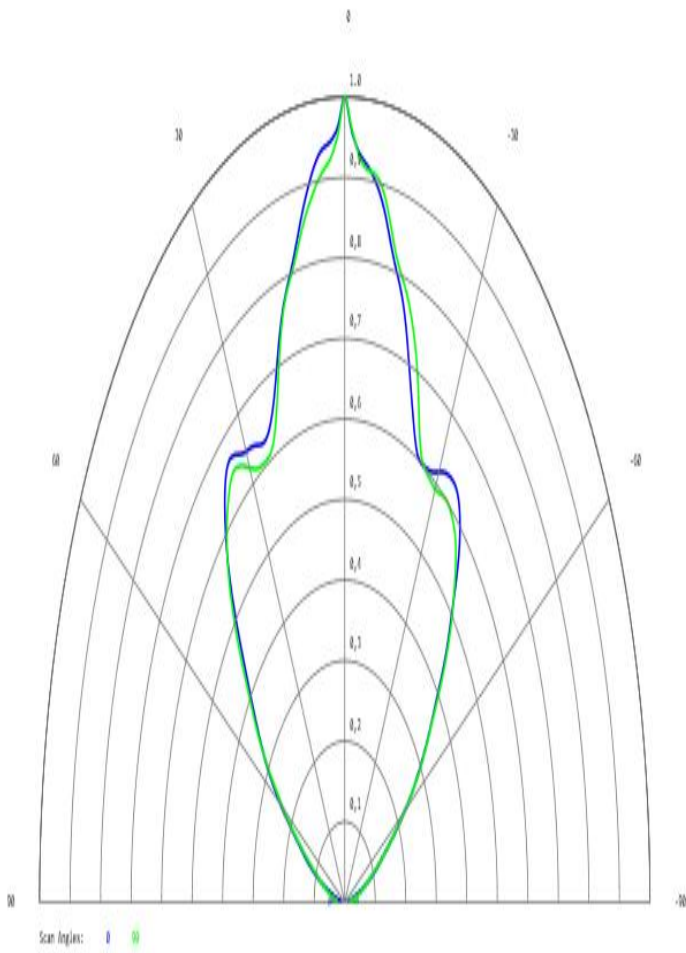
2

1

1

Luminaire: Ledil Oy FP11957 & FP11958_LISA2-WWW (Osram Oslon 80 79lm @ 250mA) Efficiency=74%
Lamps: 1 x Osram Oslon 80 79lm @ 250mA





Detector Image: Radiant Intensity

16.5.2017
 Detector 5, NSCG Surface 1:
 Scan Angles: 0, 90
 Peak Intensity : 4,013E-01 Watts/Steradian

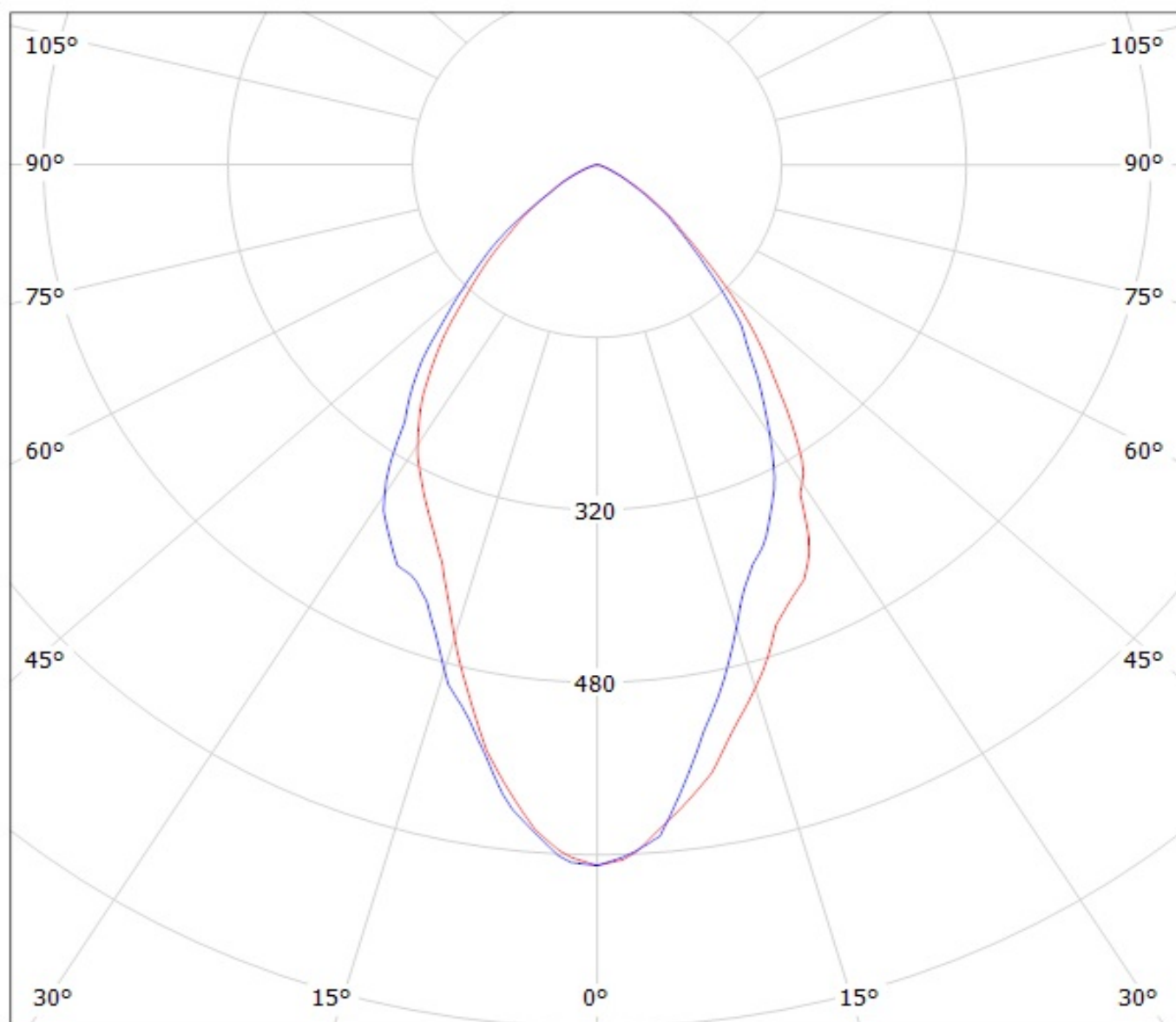
Zemax
 Zemax OpticStudio 15.5 SP2
 Luxeon IR compact.zmx
 Configuration 1 of 1

Detector Image: Radiant Intensity

16.5.2017
 Detector 5, NSCG Surface 1:
 Max polar angle: 90,00 deg, Total Hits = 2122567
 Peak Intensity : 4,002E-01 Watts/Steradian
 Total Power : 7,556E-01 Watts

Zemax
 Zemax OpticStudio 15.5 SP2
 Luxeon IR compact.zmx
 Configuration 1 of 1

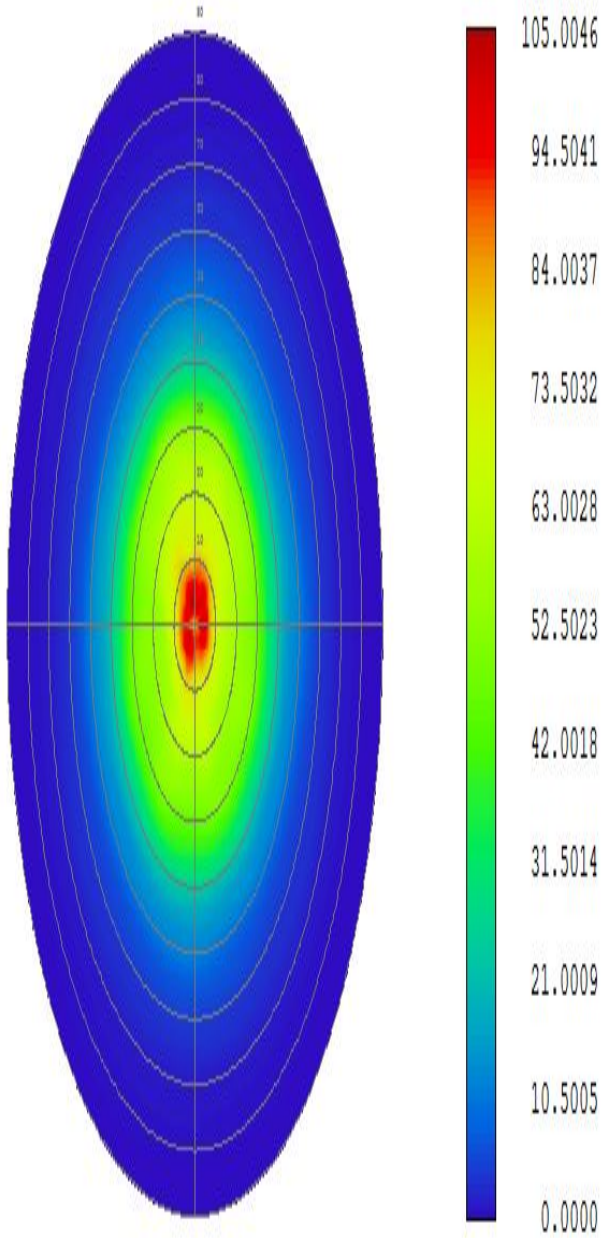
Luminaire: Ledil Oy FP11957 & FP11958_LISA2-WWW (Osram Oslon 80 79lm @ 250mA) Efficiency=74%
Lamps: 1 x Osram Oslon 80 79lm @ 250mA



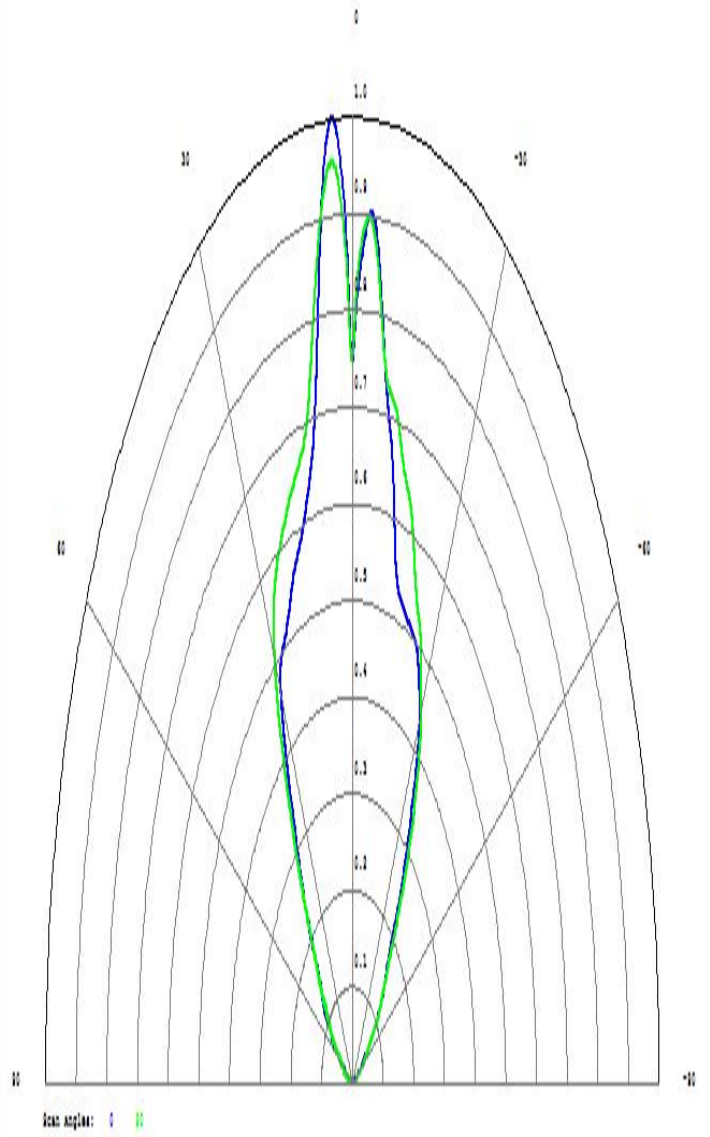
cd/klm

— C0 - C180

— C90 - C270



Detector Image: Radiant Intensity



Detector Image: Radiant Intensity

NOTE: The typical divergence will be changed by different color, chip size and chip position tolerance. The typical total divergence is the full angle measured where the luminous intensity is half of the peak value.

Mouser Electronics

Authorized Distributor

Click to View Pricing, Inventory, Delivery & Lifecycle Information:

Ledil:

[FP11958_LISA2-WWW-CLIP](#)