

DETAILS

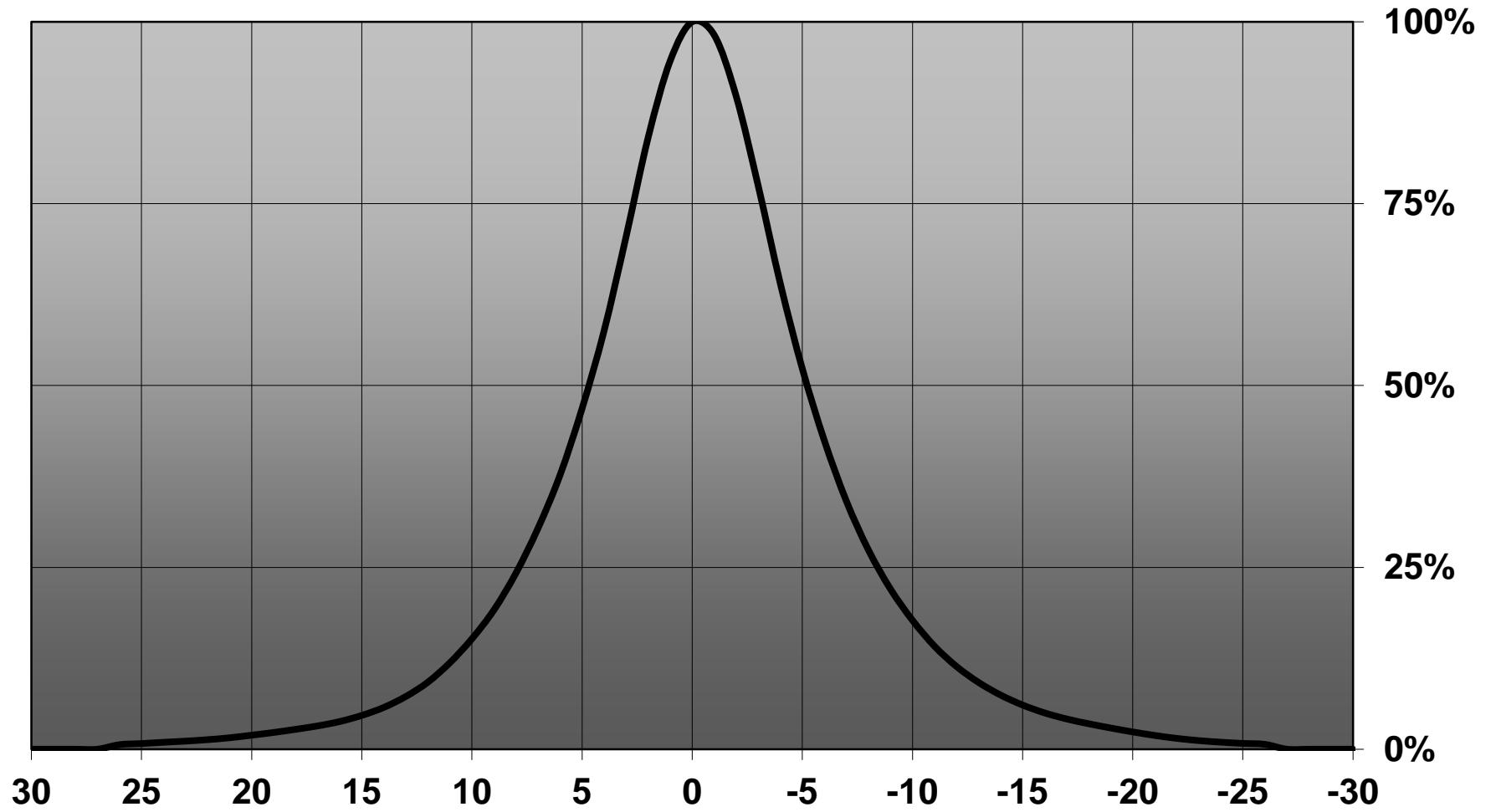
Product Number	CA11930_LR2-D
Family	Leila
Type	Assembly
Color	white
Diameter	21,6 mm
Height	14,8 mm
Style	round
Optic Material	PMMA
Holder Material	
Fastening	pin, tape
Status	production ready
ROHS Compliant	Yes
Date Updated	30/12/2014

OPTICAL PROPERTIES

LED	Viewing	Light	Effi-		Connector
	Angle	Beam	ciency	cd/lm	
XQ-E	sim: 9	Diffuser	sim: 92 %	sim: 28.000-	
XP-L	17 deg	Diffuser	92 %	6.910	-
LUXEON Rebel ES	14 deg	Diffuser	92 %	-	-
LUXEON T	14 deg	Diffuser	94 %	7.000	-
LUXEON Z ES	10 deg	Diffuser	90 %	15.400	-
LUXEON H50-2	sim: 12,5	Diffuser	sim: 93 %	sim: 12.600-	
LUXEON TX	13 deg	Diffuser	90 %	11.280	-
NVSxx19B/NVSxx19C	15 deg	Diffuser	92 %	6.500	-
Oslon Square EC	12 deg	Diffuser	91 %	11.100	-



Relative intensity of CA11930_LR2-D_(Luxeon Z ES)

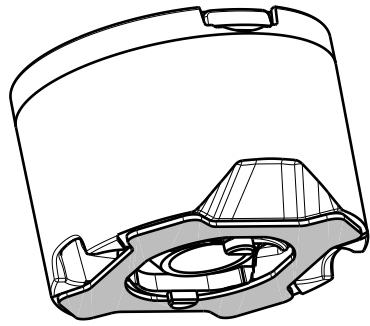


D

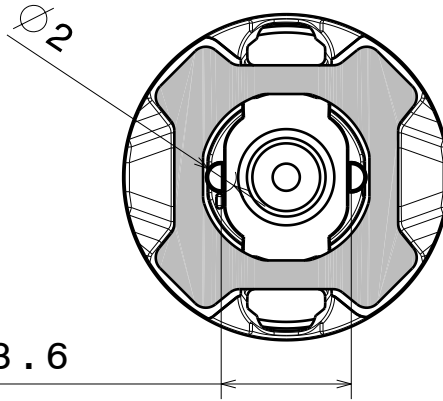
C

B

A



Isometric view



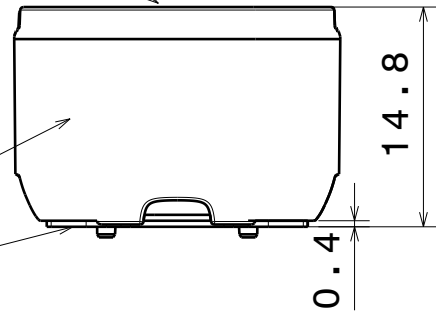
8.6

c / c

Lens

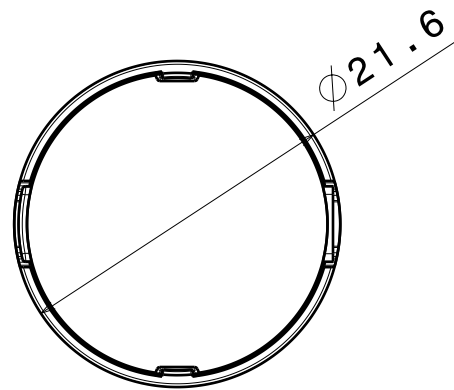
CA11703 LR2 LH1-holder-tape

tape



14.8

0.4



Top view

Materials:
 Lens: PMMA
 Holder: PC white
 Tape: PU FOAM

Codes:
 CA11929_LR2-ES-RS
 CA11930_LR2-ES-D
 CA11931_LR2-ES-M
 CA11932_LR2-ES-O-90
 CA12394_LR2-W-WHT

This drawing is our property.
 It can't be reproduced
 or communicated without
 our written agreement.



L
T
F
F

e
e
i
i
N
n

d
h

DRAWING TITLE

Datasheet LR2-ES series assy

DRAWN BY

DATE

ca

21.11.2011

CHECKED BY

DATE

sn

21.11.2011

DESIGNED BY

DATE

pl

27.08.2010

SIZE

A4

DRAWING NUMBER

-

REV

2

SCALE

1:1

WEIGHT (g)

SHEET

1/1

D

A

4

4

3

3

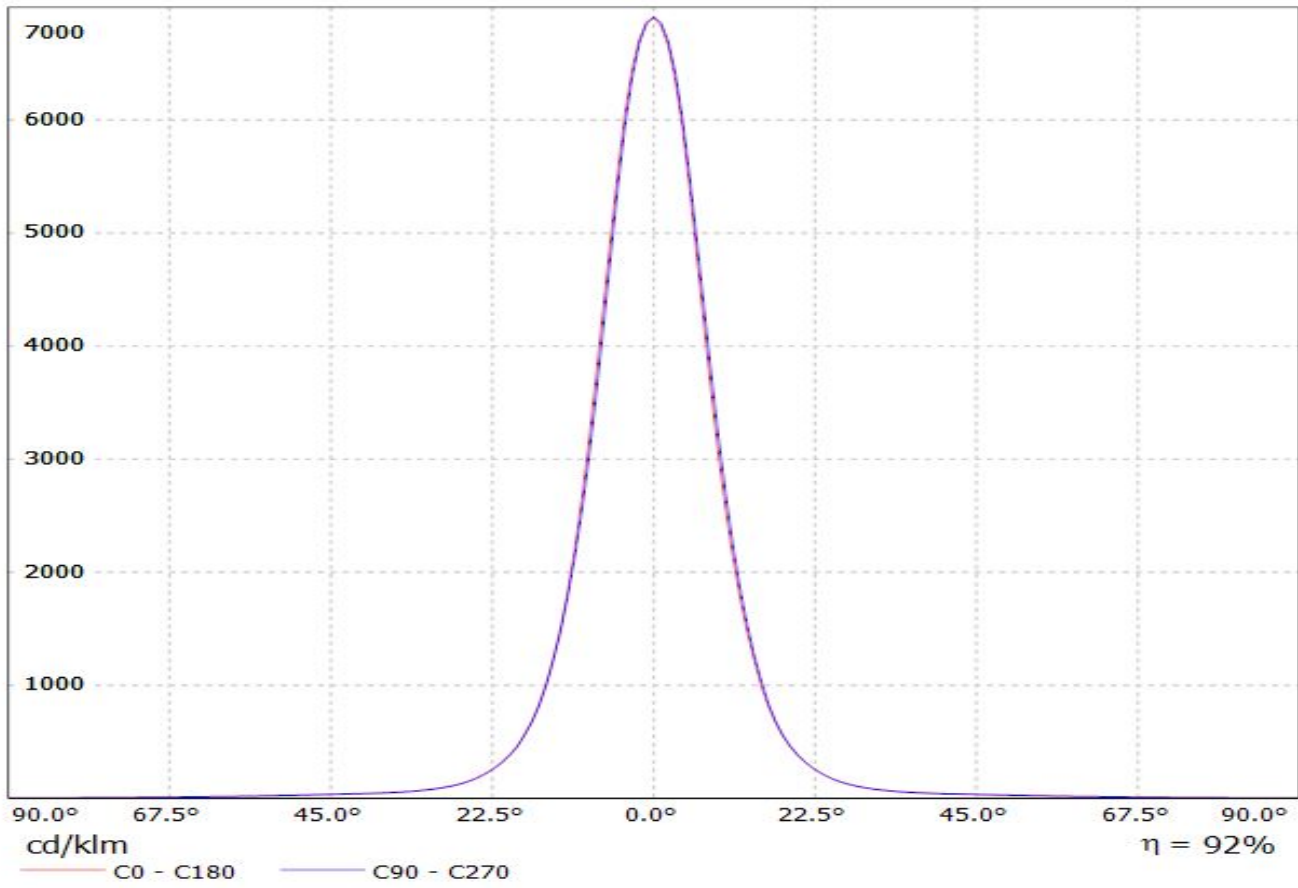
2

2

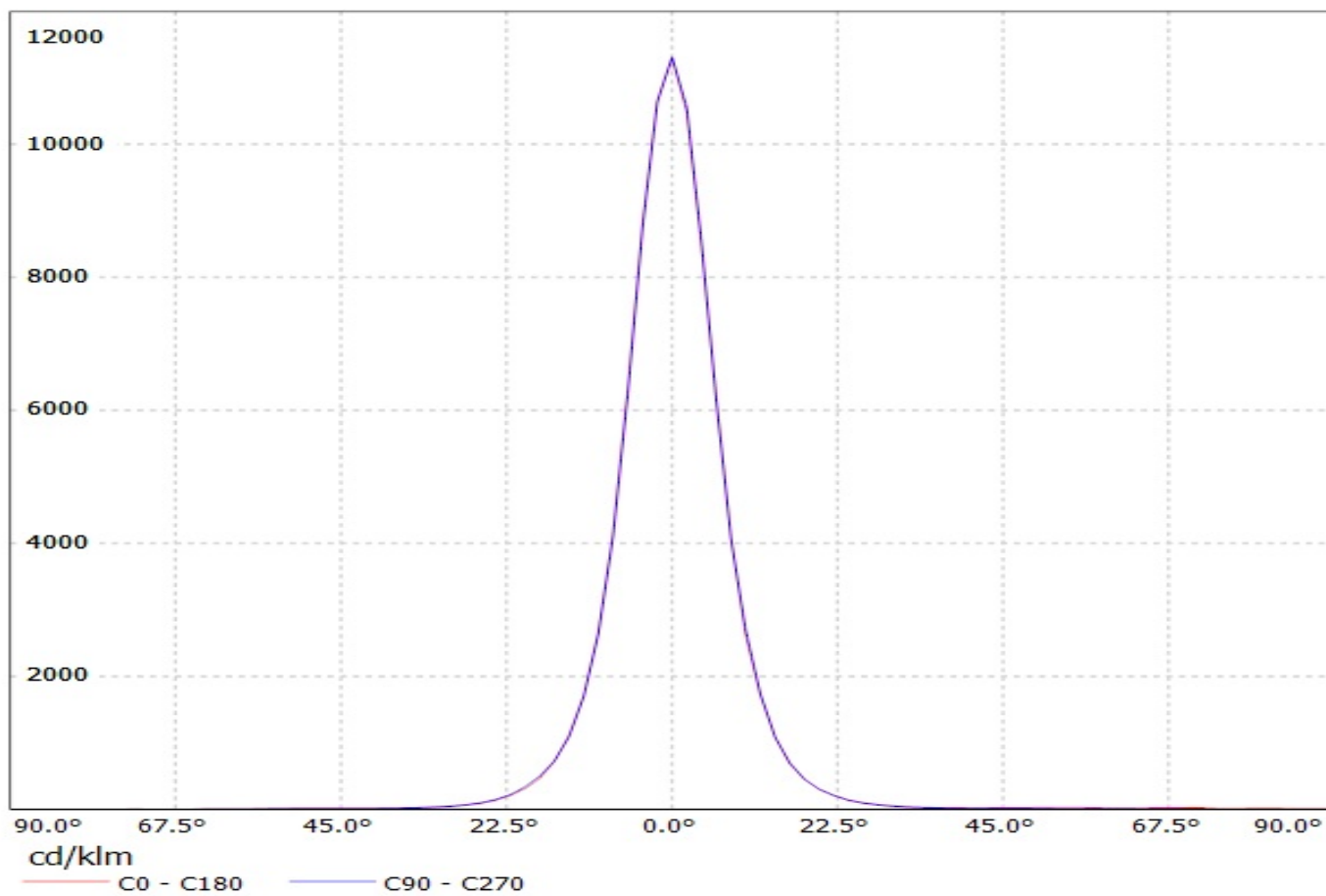
1

1

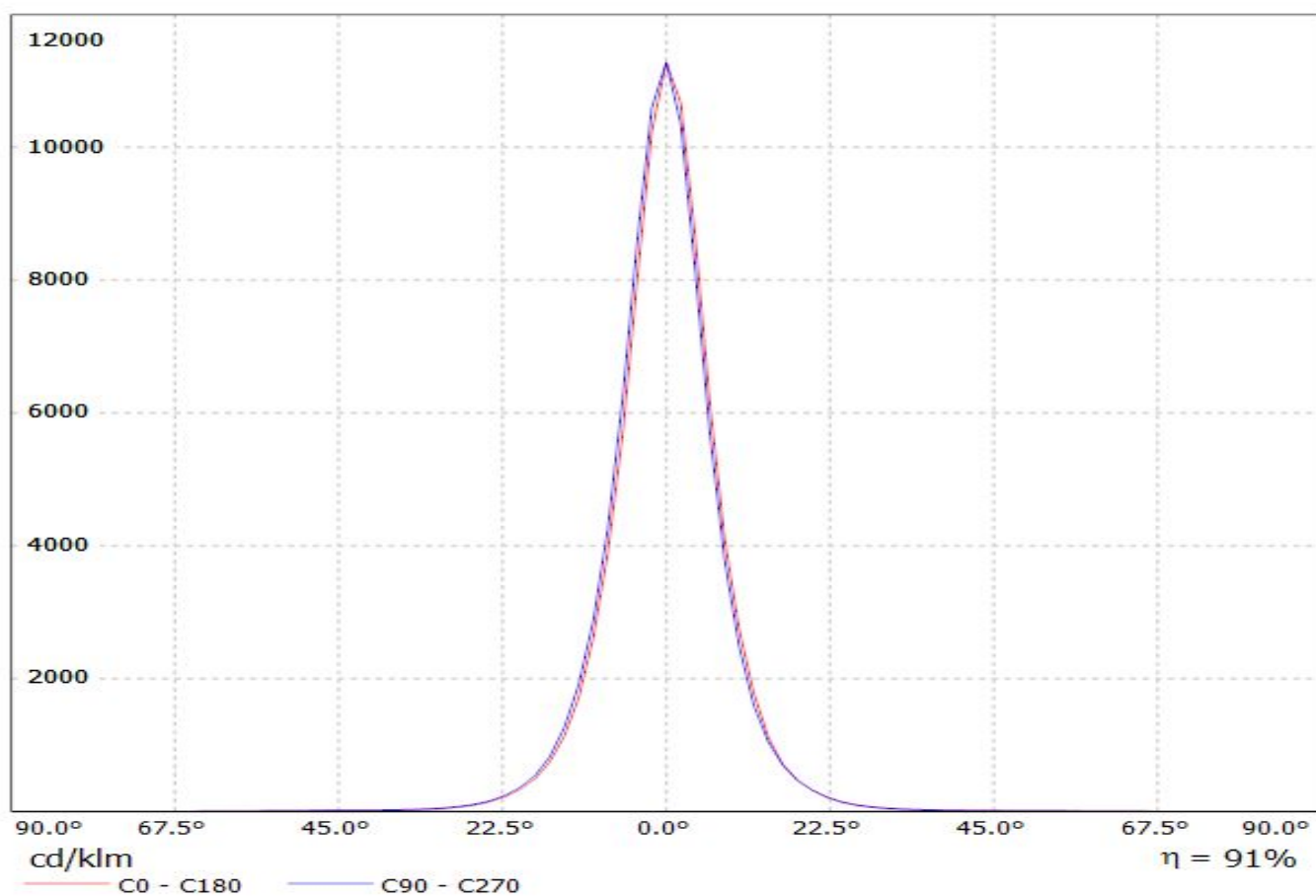
Luminaire: LEDiL Oy CA11930_LR2-D_(XP-L) Eff.92.2%
Lamps: 1 x Cree_XP-L_127.813lm@250mA_P=0.73723W_I=249.9mA



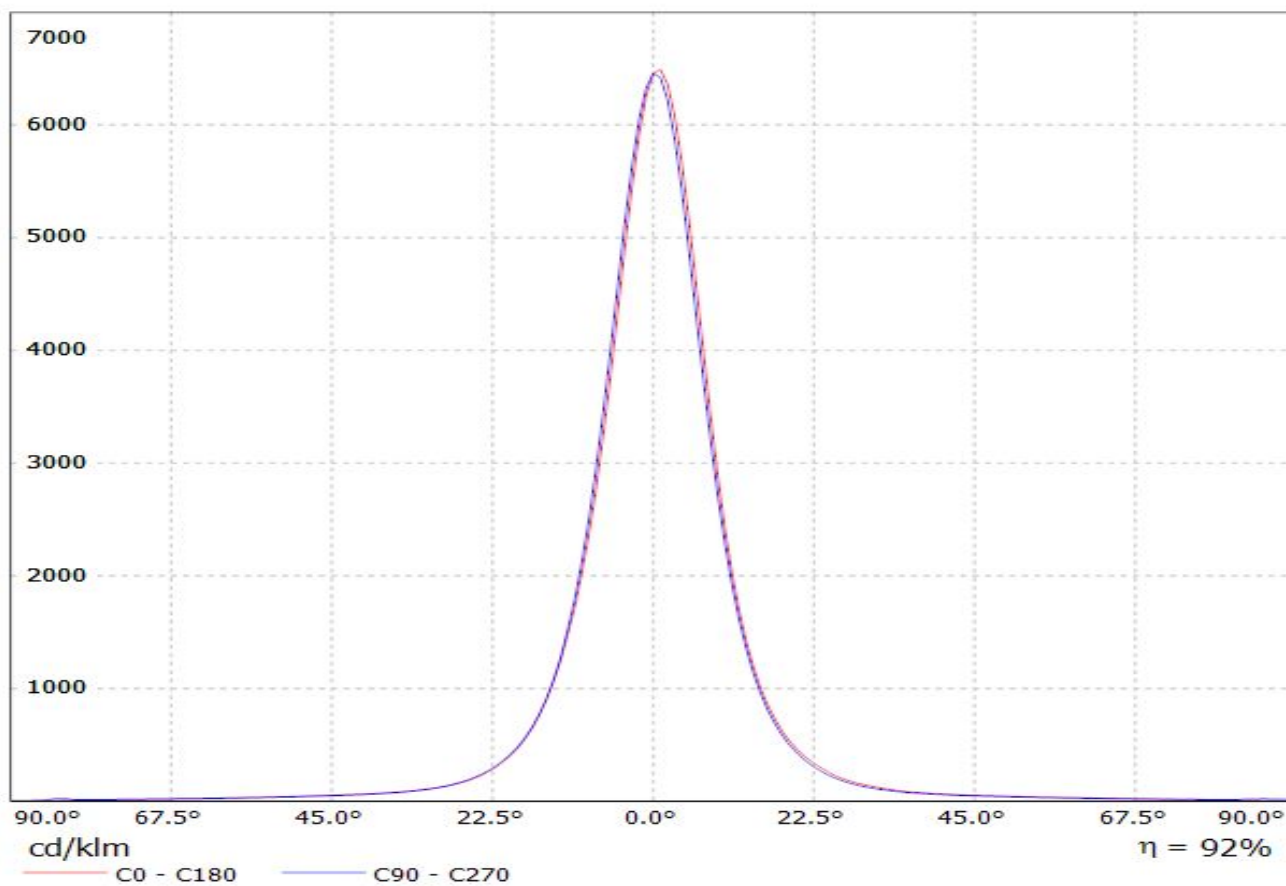
Luminaire: Ledil Oy CA11930_LR2-D (Luxeon T 72lm @ 250mA) Efficiency=94%
Lamps: 1 x Luxeon T 72lm @ 250mA



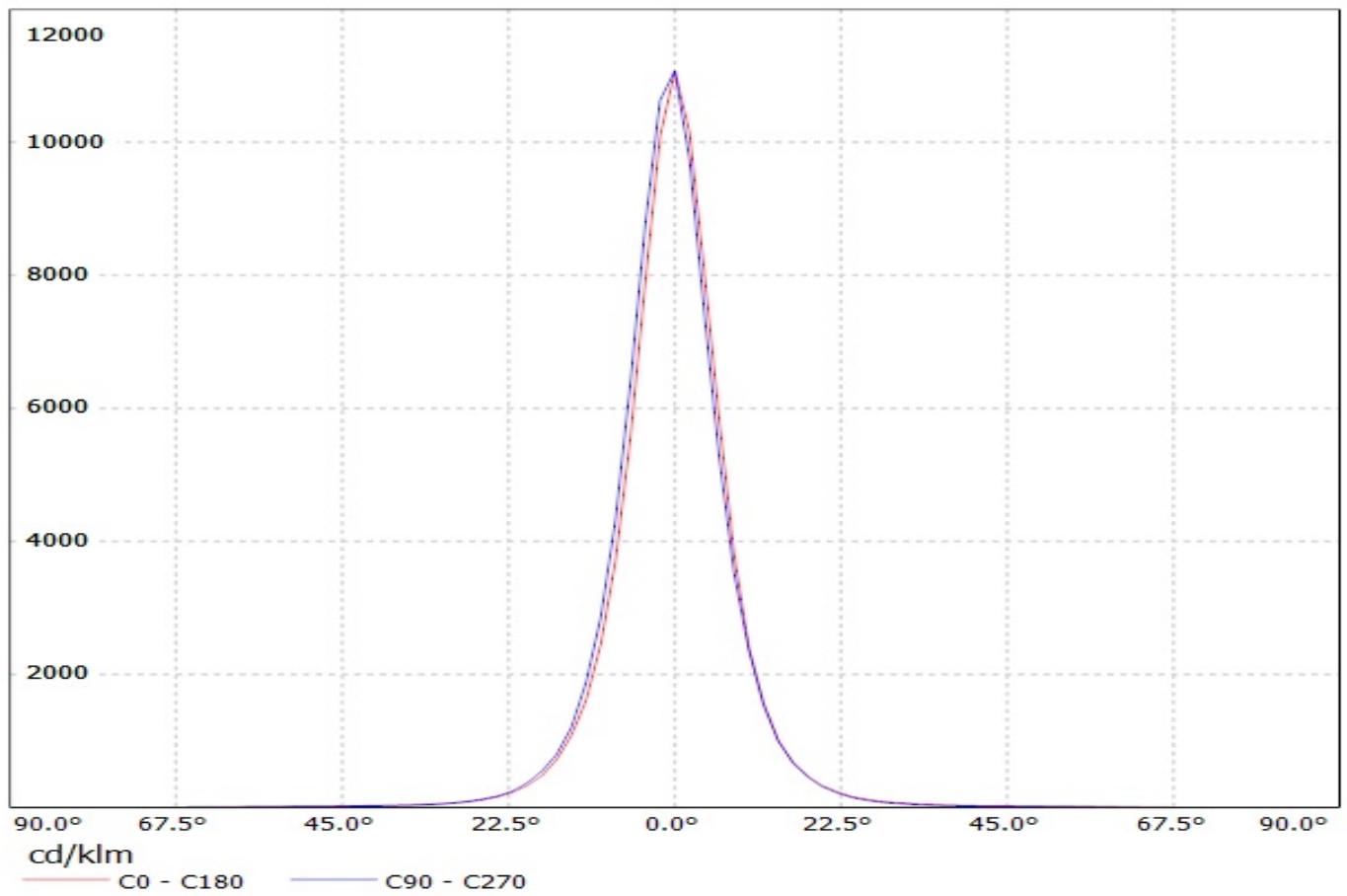
Luminaire: Ledil Oy CA11930_LR2-D_(Luxeon_TX) Efficiency=90%
Lamps: 1 x Luxeon TX 108lm @ 250mA CCT= P=0.73W I=250mA



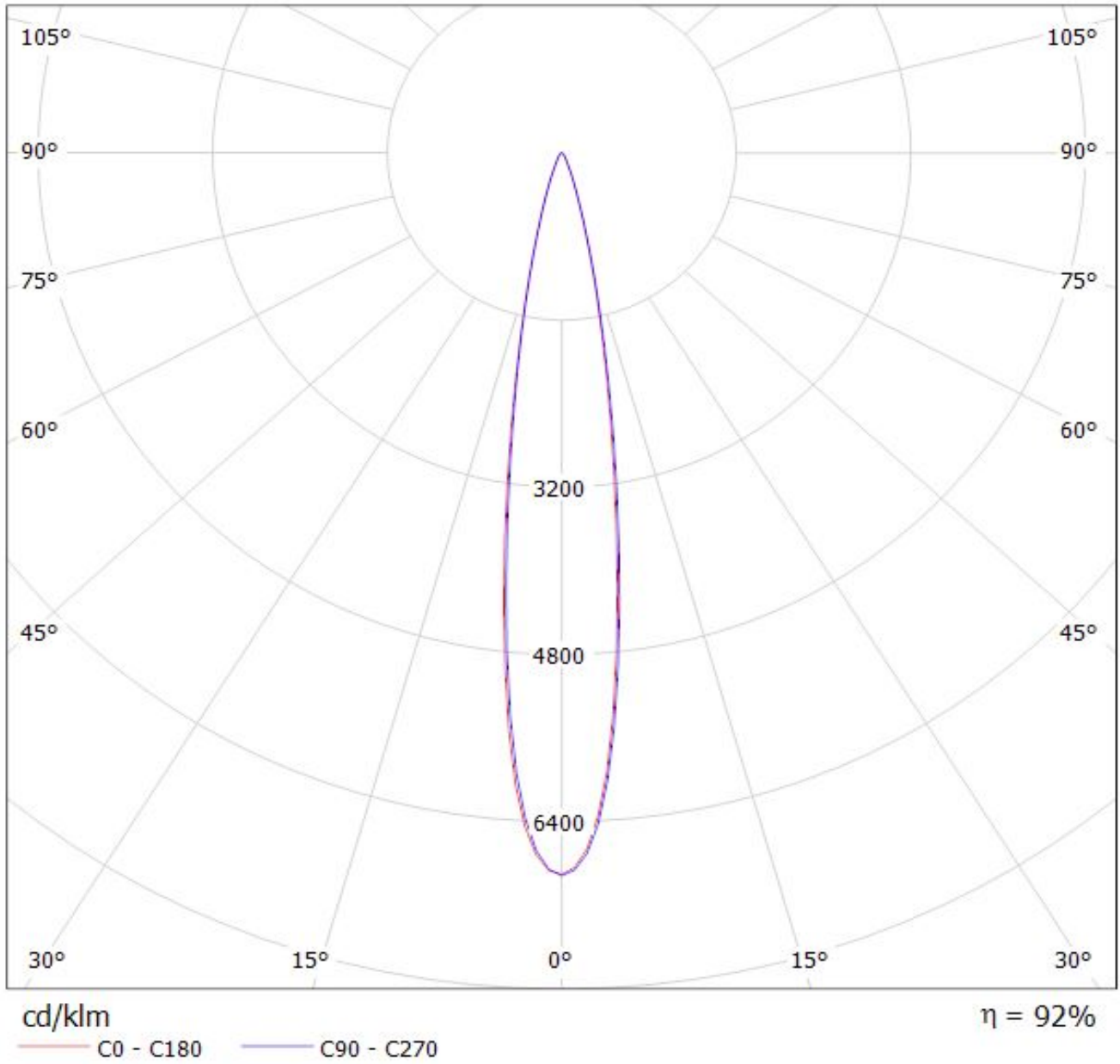
Luminaire: LEDiL Oy CA11930_LR2-D_(NVSL219CE)
Lamps: 1 x Nichia_NVSL219CE_101.052lm@250mA_P=0.713154W_I=0.25A



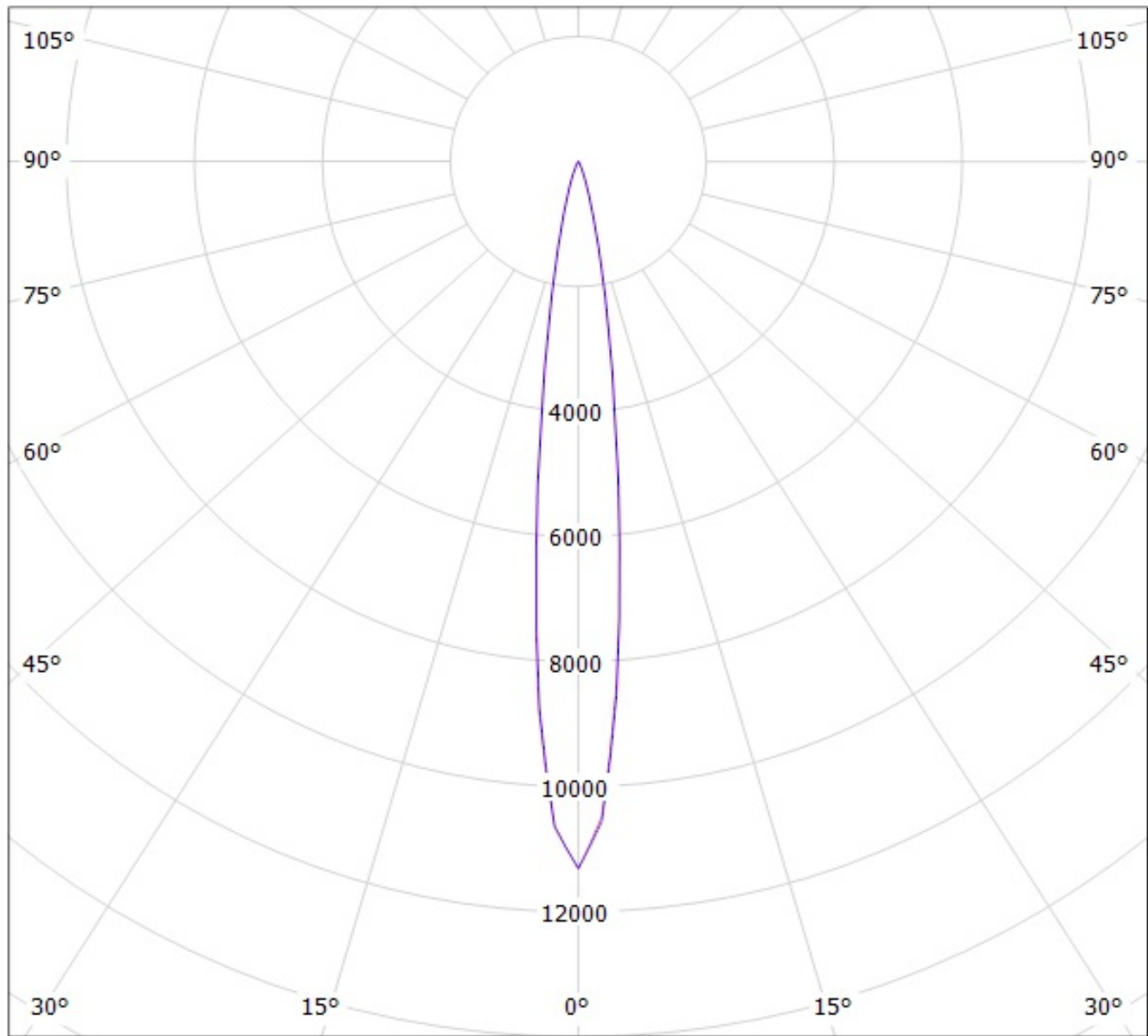
Luminaire: Ledil Oy CA11930_LR2-D (Osram Square EC 63lm @ 250mA) Efficiency=91%
Lamps: 1 x Osram Square EC 63lm @ 250mA



Luminaire: LEDiL Oy CA11930_LR2-D_(XP-L) Eff.92.2%
Lamps: 1 x Cree_XP-L_127.813lm@250mA_P=0.73723W_I=249.9mA



Luminaire: Ledil Oy CA11930_LR2-D (Luxeon T 72lm @ 250mA) Efficiency=94%
Lamps: 1 x Luxeon T 72lm @ 250mA

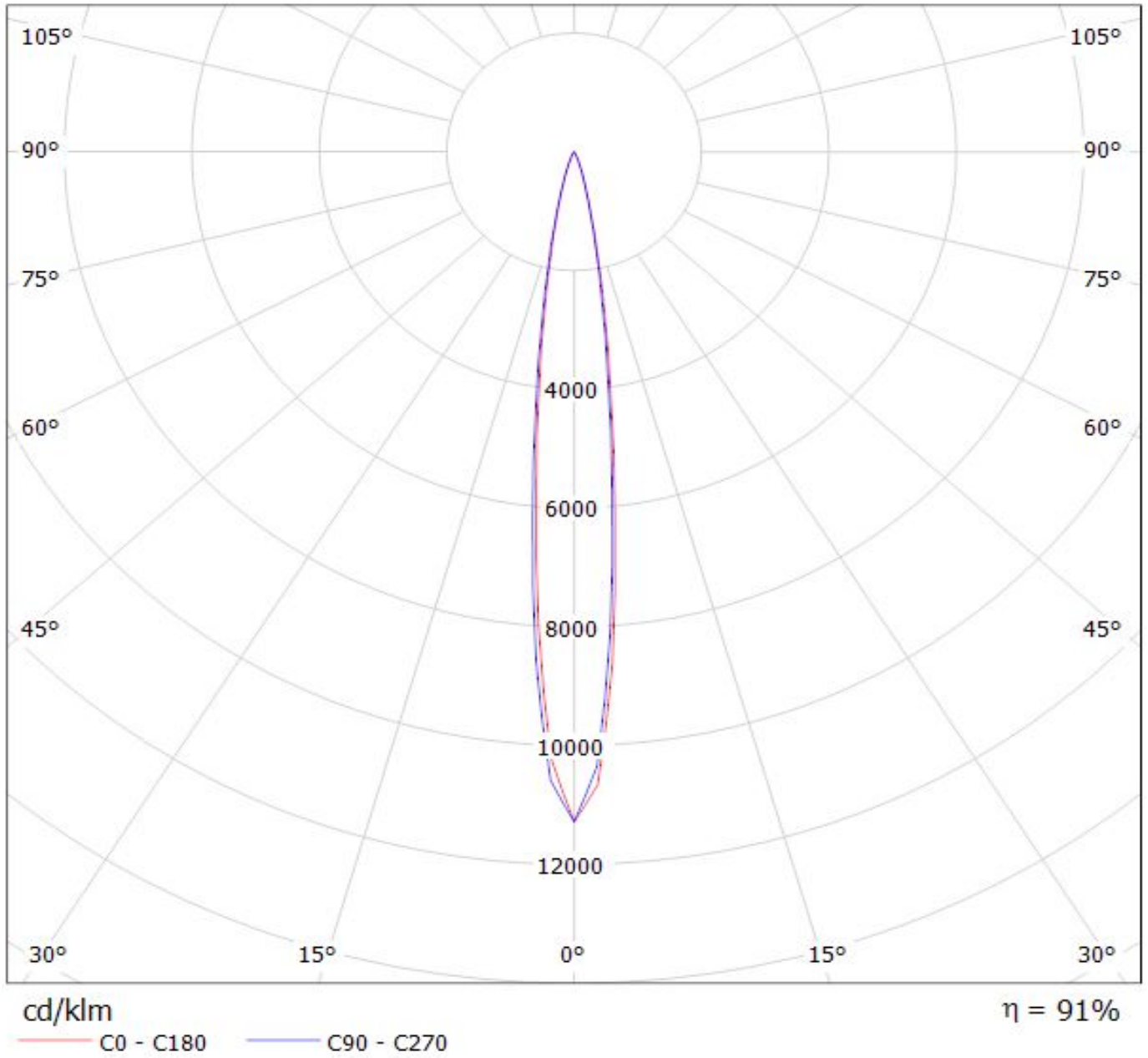


cd/klm

— C0 - C180

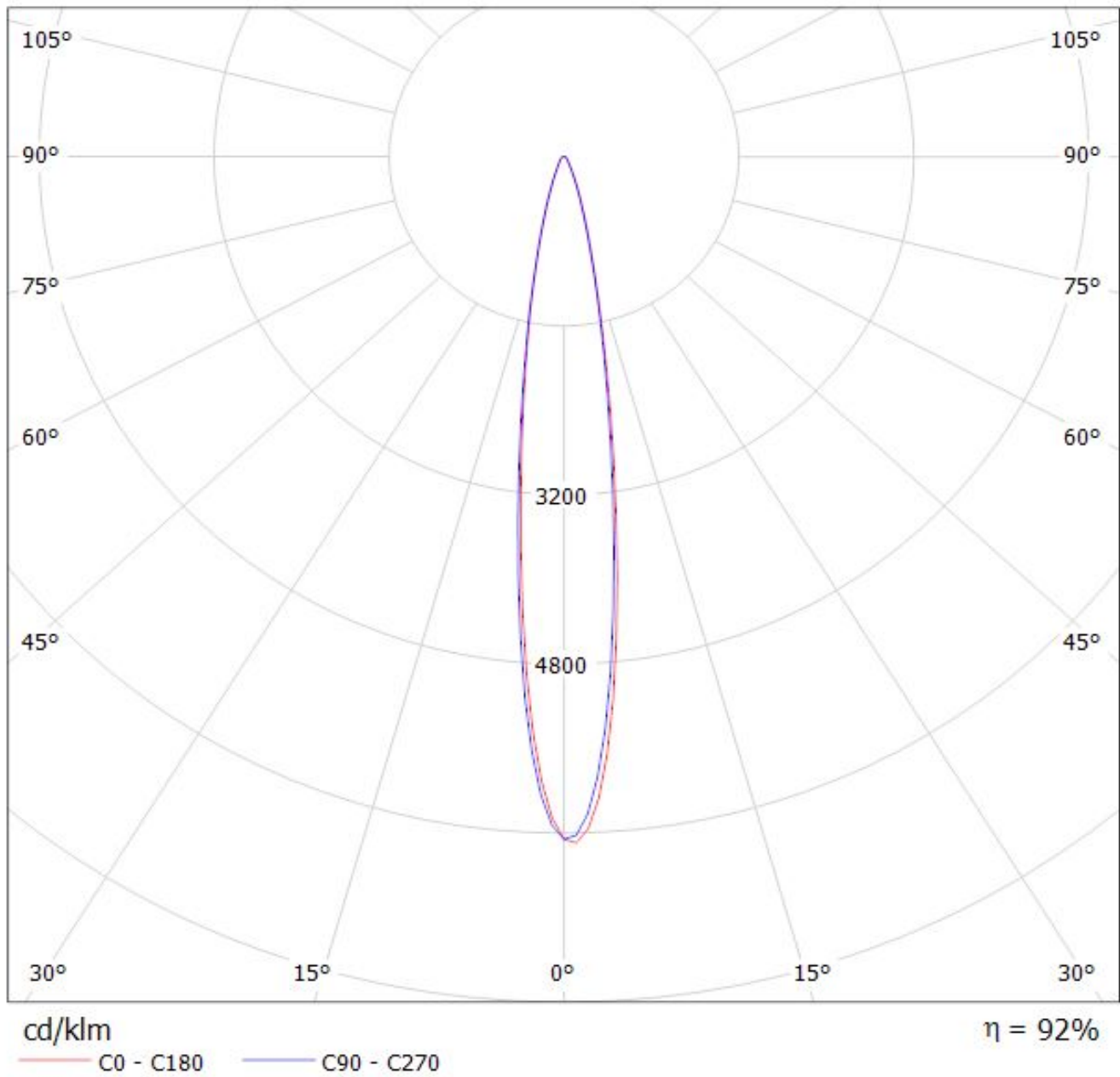
— C90 - C270

Luminaire: Ledil Oy CA11930_LR2-D_(Luxeon_TX) Efficiency=90%
Lamps: 1 x Luxeon TX 108lm @ 250mA CCT= P=0.73W I=250mA

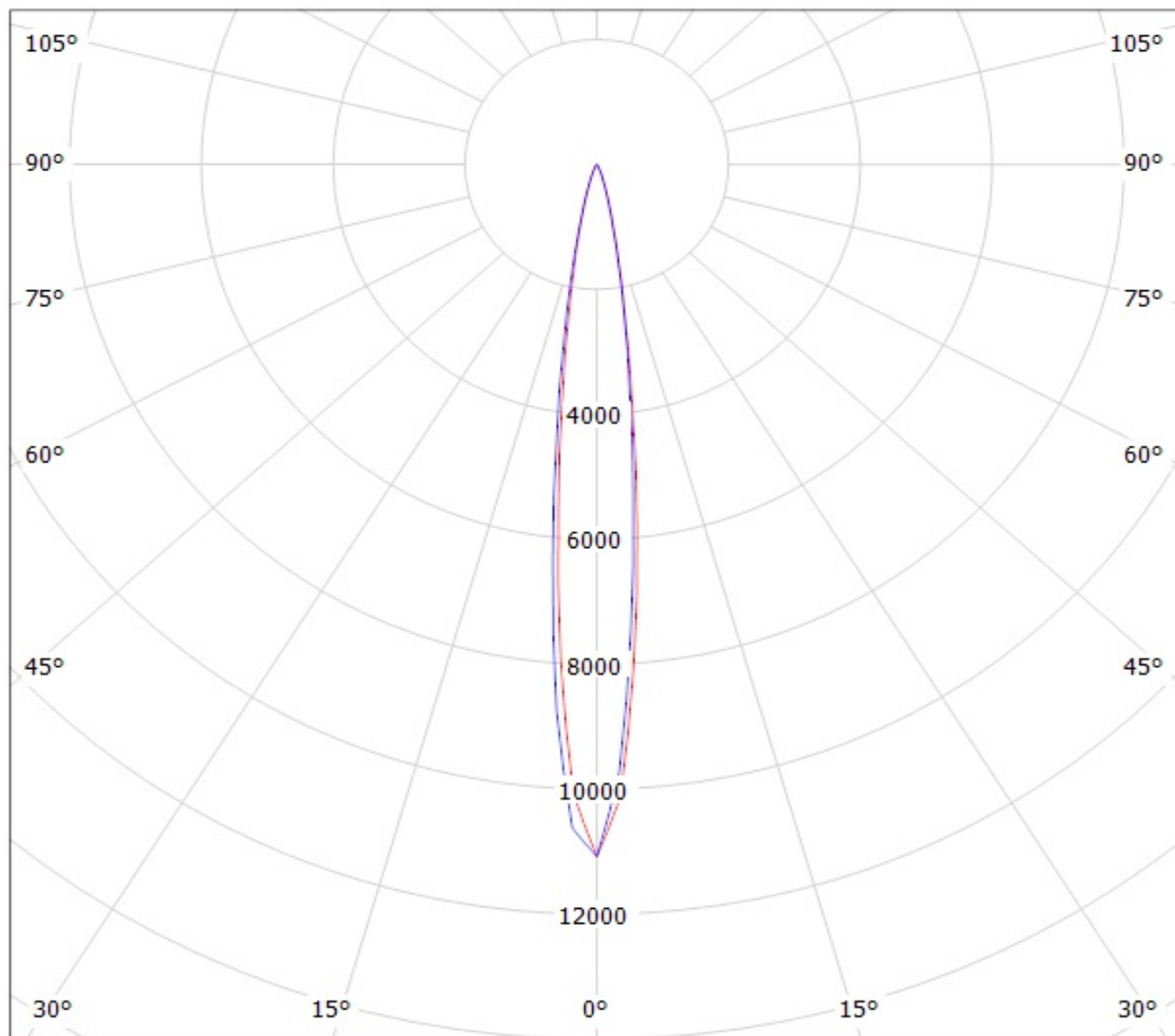


Luminaire: LEDiL Oy CA11930_LR2-D_(NVSL219CE)

Lamps: 1 x Nichia_NVSL219CE_101.052lm@250mA_P=0.713154W_I=0.25A



Luminaire: Ledil Oy CA11930_LR2-D (Osram Square EC 63lm @ 250mA) Efficiency=91%
Lamps: 1 x Osram Square EC 63lm @ 250mA



cd/klm

— C0 - C180

— C90 - C270

NOTE: The typical divergence will be changed by different color, chip size and chip position tolerance. The typical total divergence is the full angle measured where the luminous intensity is half of the peak value.

Mouser Electronics

Authorized Distributor

Click to View Pricing, Inventory, Delivery & Lifecycle Information:

[Ledi:](#)

[CA11930_LR2-D](#)