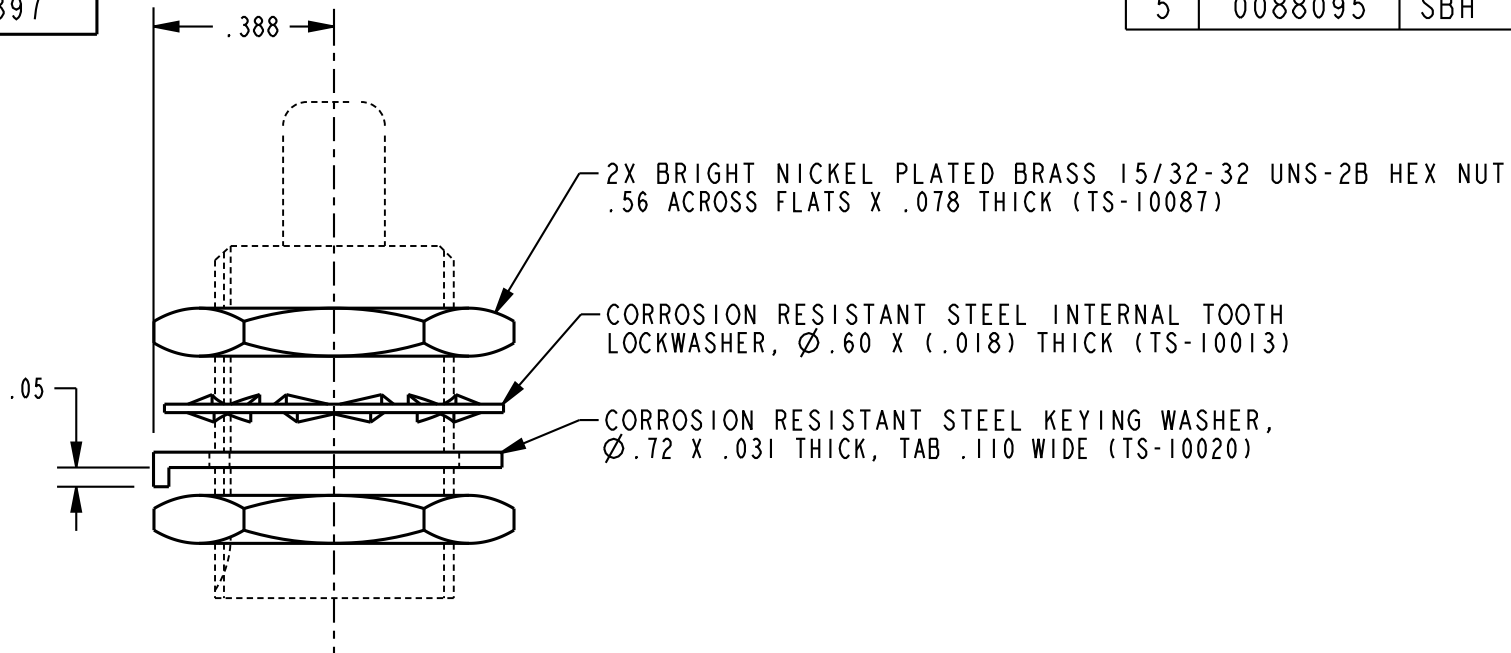


SG-V0418
JG-72397

REV	DOCUMENT	CHANGED BY	CHECK
5	0088095	SBH 29MAR12	CMH



NOTES

- 1 - PARTS FURNISHED UNASSEMBLED AS PACKET
- 2 - THIS PACKET MAY BE USED WITH ANY FAMILY OF SWITCHES WHICH HAVE A 15/32-32 UNS-2A THREADED BUSHING
- 3 - PACKED IN CLEAR PLASTIC BAG WITH HOLES TO FIT OVER BUSHING

UNLESS OTHERWISE SPECIFIED TOLERANCES ARE:

	<input checked="" type="checkbox"/> US (inch) CUSTOMARY	<input type="checkbox"/> SI (mm) METRIC
NO PLACE	X ±.040	±1
ONE PLACE	.X ±.030	±0,4
TWO PLACE	.XX ±.015	±0,15
THREE PLACE	.XXX ±.005	±
ANGLES	±	±
RAW MATERIAL-COMMERCIAL STANDARD		

DRAWN	TSM	15AUG01
CHECK	SAV	15AUG01

THIS DRAWING COVERS A PROPRIETARY ITEM AND IS THE PROPERTY OF HONEYWELL. THIS DRAWING IS NOT TO BE COPIED OR USED WITHOUT THE PERMISSION OF HONEYWELL.

DIMENSIONS ARE TO BE MET BEFORE PROTECTIVE COATINGS ARE APPLIED

PTC 2D	ASME Y14.5M-1994
--------	------------------

Honeywell

TITLE **PACKET**

SIZE	DWG TYPE	DRAWING NAME	REV
A	I	15PA312-AT	5

SCALE 2 : 1	WEIGHT	SHEET 1 OF 1
-------------	--------	--------------



Mouser Electronics

Authorized Distributor

Click to View Pricing, Inventory, Delivery & Lifecycle Information:

[Honeywell:](#)

[15PA312-AT](#)