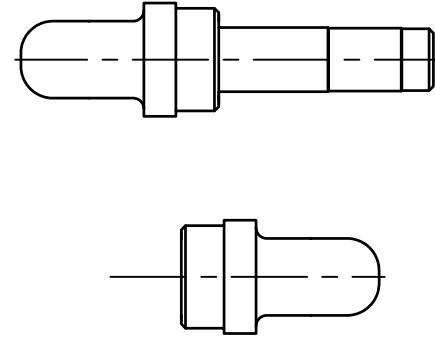
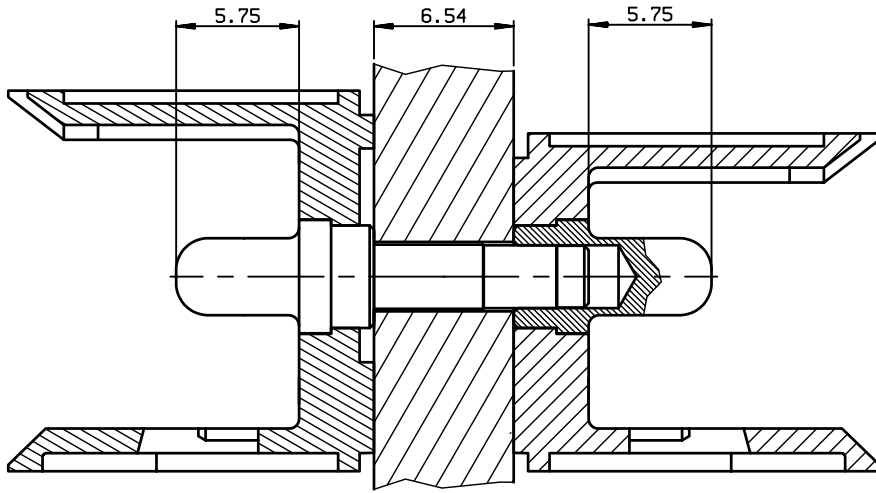


A

B

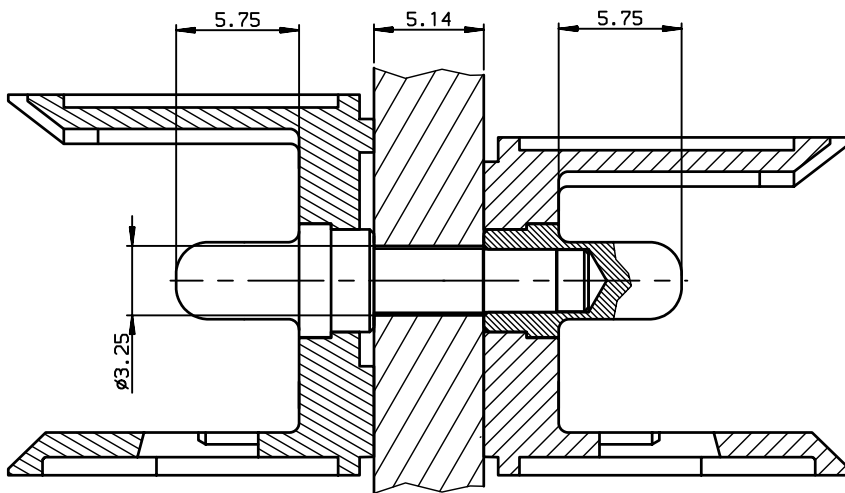
A

B



C

C



Coupler in two parts for P.C.B
 Accouplement des deux pièces sur le P.C.B
 Thickness between 5.1 to 6.6 mm
 Epaisseur comprise entre 5.1 et 6.6 mm

NOTE:RoHS INFORMATIONS
 - The "LF" product meets European union Directives and other country regulations as described in 65-22-008.
 - The product is not intended to be exposed to a manufacturing solder process.
 - Packaging spec: see 65-14-920.

Part number **HM13089LF**



Copyright FCI.

D

D

PACKAGING INFORMATIONS
 - 100 pieces of each part in a plastic bag (10x15).
 - 1 plastic bag of each component in the carton box (C1).

PACKAGING INFORMATIONS
 - 100 pièces de chaque produit emballée dans un sachet plastique (10x15).
 - 1 sachet plastique de chaque produit dans un carton (C1).

rev	ecn no	dr	date
A	LS05-0086	JTA	2005/10/13
B	LS06-0095	LGO	2006/07/05
C	LS08-0083	JTA	2008/03/25
-	-	-	-
-	-	-	-
-	-	-	-

www.fciconnect.com		surface ISO 1302 <input checked="" type="checkbox"/>	tolerance std ISO 406 ISO 1101	projection 	mm
TOLERANCES UNLESS OTHERWISE SPECIFIED					
Dr	ETIEMBRE	2005/10/13	ANGULAR	0.X ±0.1	size A3 Scale 4
Eng	TARON	2005/10/13	LINEAR	0.XX ±0.1	ECN LS08-0083
Chr	LEGARE	2005/10/13	0.XX' ±2'	0.XXX ±0.1	Spec ref RELEASED
Appr	LEGARE	2005/10/13	Product family	METRAL	
		title MINI-MAXI COUPLER PIN IN BACK		dwg no C-8626-11299	Rev. C
catalog no		-		CUSTOMER	sheet 1 of 1

European Views

Mouser Electronics

Authorized Distributor

Click to View Pricing, Inventory, Delivery & Lifecycle Information:

[FCI / Amphenol:](#)

[HM13089LF](#)