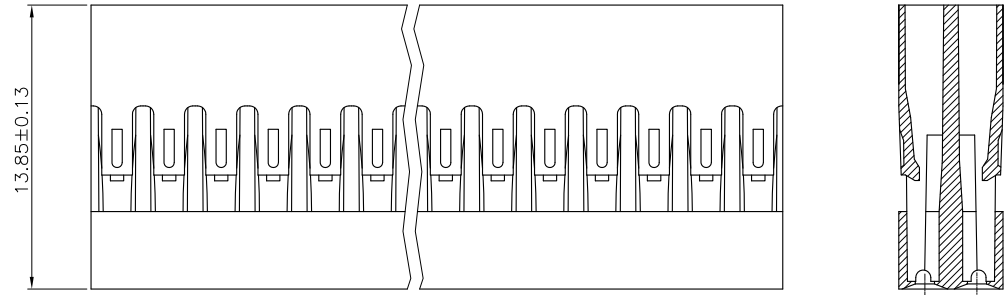


PRODUCT NUMBER  
65043-0XX(E)LF

PIN STYLE  
SEE SHEET 2

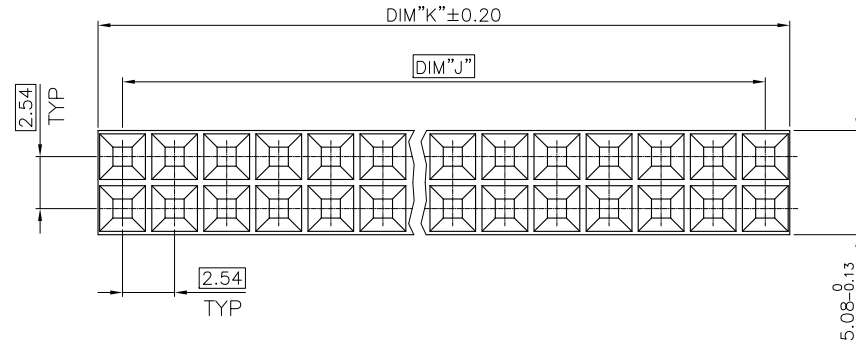
INDICATES THE PRODUCT IS RoHS  
COMPLIANT, SEE NOTE 6

65043-YXXLF OR 65043-YXXELF ARE  
EXACTLY THE SAME PRODUCTS.  
EXTENSION "E" JUST FOR OLD EUROPEAN  
DESIGN AND MANUFACTURING SITE



NOTES:

1. MOLDING MATERIAL : MODIFIED POLYPHELYNENE  
COLOR BLACK, UL 94 V0
2. LATCH MUST WITHSTAND 18N MIN PULL OUT FORCE
3. STANDARD PACKAGING IN POLYBAGS
4. TERMINALS MUST BE CRIMPED PROPERLY FOR  
SATISFACTORY LATCHING :  
- FOR CRIMPING INSTRUCTIONS, SEE TA-75 AND TA-295  
- FOR TERMINAL APPLICATION SEE TA-531.  
PRODUCT SPECIFICATION: BUS-12-067.
5. THIS HOUSING IS INTENDED FOR USE WITH  
MINI PV TERMINAL WITH 22-36 GAUGE WIRE
6. RoHs COMPLIANT PRODUCT SPECIFICATIONS :  
- MEETS PACKAGING SPECS AS PER GS-14-920  
- PRODUCT MEETS EUROPEAN UNION DIRECTIVES  
AND OTHER COUNTRY REGULATIONS AS  
DESCRIBED IN GS-22-008.  
- THE PRODUCT IS NOT INTENDED TO BE EXPOSED  
TO A MANUFACTURING SOLDER PROCESS.



|                         |                |     |          |                                       |                               |                |  |
|-------------------------|----------------|-----|----------|---------------------------------------|-------------------------------|----------------|--|
| mat'l code<br>SEE NOTES |                |     |          | surface<br>ISO 1302                   | tolerance<br>ISO 406 ISO 1101 | projection<br> | product family<br>BERCONN                        |
| ltr                     | ecn no         | dr  | date     | tolerances unless otherwise specified |                               |                | title<br>MINI LATCH HOUSING<br>DOUBLE ROW 2.54mm |
| BG                      | V08-0022       | LMU | 08.01.15 | angles                                | linear                        |                |  |
| BH                      | F12-0064       | LMU | 12.06.08 |                                       | .x ± 0.3                      | scale 5:1      | dwg no<br>65043                                  |
| BJ                      | B-14321        | LMU | 13.03.21 |                                       | .xx ± 0.13                    |                |  |
|                         |                |     |          |                                       | .xxx ± 0.05                   |                |  |
|                         |                |     |          | dr                                    | L.MULIN                       | 12.06.08       | sheet 1 of 2<br>size<br>A3                       |
|                         |                |     |          | engr                                  | L.MULIN                       | 12.06.08       |  |
|                         |                |     |          | chr                                   |                               |                |  |
|                         |                |     |          | appd                                  | JCO                           | 12.06.09       |  |
| sheet index             | revision sheet | BJ  | BH       |                                       |                               |                | type<br>CUSTOMER Drawing                         |
|                         |                | 1   | 2        |                                       |                               |                |  |

| PIN STYLE | No. OF POS. | DIM J | DIM K |
|-----------|-------------|-------|-------|
| 35        | 2x02        | 2.54  | 4.93  |
| 34        | 2x03        | 5.08  | 7.47  |
| 33        | 2x04        | 7.62  | 10.01 |
| 32        | 2x05        | 10.16 | 12.55 |
| 31        | 2x06        | 12.70 | 15.09 |
| 30        | 2x07        | 15.24 | 17.63 |
| 29        | 2x08        | 17.78 | 20.17 |
| 28        | 2x09        | 20.32 | 22.71 |
| 27        | 2x10        | 22.86 | 25.25 |
| 26        | 2x11        | 25.40 | 27.79 |
| 25        | 2x12        | 27.94 | 30.33 |
| 24        | 2x13        | 30.48 | 32.87 |
| 23        | 2x14        | 33.02 | 35.41 |
| 22        | 2x15        | 35.56 | 37.95 |
| 21        | 2x16        | 38.10 | 40.49 |
| 20        | 2x17        | 40.64 | 43.03 |
| 19        | 2x18        | 43.18 | 45.57 |
| 18        | 2x19        | 45.72 | 48.11 |
| 17        | 2x20        | 48.26 | 50.65 |
| 16        | 2x21        | 50.80 | 53.19 |
| 15        | 2x22        | 53.34 | 55.73 |
| 14        | 2x23        | 55.88 | 58.27 |
| 13        | 2x24        | 58.42 | 60.81 |
| 12        | 2x25        | 60.96 | 63.35 |
| 11        | 2x26        | 63.50 | 65.89 |
| 10        | 2x27        | 66.04 | 68.43 |
| 09        | 2x28        | 68.58 | 70.97 |
| 08        | 2x29        | 71.12 | 73.51 |
| 07        | 2x30        | 73.66 | 76.05 |
| 06        | 2x31        | 76.20 | 78.59 |
| 05        | 2x32        | 78.74 | 81.13 |
| 04        | 2x33        | 81.28 | 83.67 |
| 03        | 2x34        | 83.82 | 86.21 |
| 02        | 2x35        | 86.36 | 88.75 |
| 01        | 2x36        | 88.90 | 91.29 |



FCIconnect.com

Copyright FCI

|             |                |     |          |                                       |         |                  |  |            |  |                       |  |
|-------------|----------------|-----|----------|---------------------------------------|---------|------------------|--|------------|--|-----------------------|--|
| mal't. code |                |     |          | surface                               |         | tolerance        |  | projection |  | product family        |  |
| SEE NOTES   |                |     |          | ISO 1302                              |         | ISO 406 ISO 1101 |  |            |  | BERCONN               |  |
| ltr         | ecn no         | dr  | date     | tolerances unless otherwise specified |         |                  |  |            |  |                       |  |
| BG          | V08-0022       | HTB | 08.01.15 | angles                                | linear  | .x ±0.3          |  |            |  | scale 5:1             |  |
| BH          | F12-0064       | LMU | 12.06.08 |                                       |         | .xx ±0.13        |  |            |  |                       |  |
|             |                |     |          |                                       |         | .xxx ±0.05       |  |            |  | title                 |  |
|             |                |     |          | dr                                    | L.MULIN | 11.01.10         |  |            |  | MINI LATCH HOUSING    |  |
|             |                |     |          | engr                                  | L.MULIN | 11.01.10         |  |            |  | DOUBLE ROW 2.54mm     |  |
|             |                |     |          | chr                                   |         |                  |  |            |  | dwg no                |  |
|             |                |     |          | appd                                  | L.MU    | 11.01.10         |  |            |  | 65043                 |  |
| sheet index | revision sheet |     |          |                                       |         |                  |  |            |  | type CUSTOMER Drawing |  |

# Mouser Electronics

Authorized Distributor

Click to View Pricing, Inventory, Delivery & Lifecycle Information:

FCI:

[65043-021LF](#)