

TLK100 Internal Voltages EVM

This User Guide details the design and operation of the evaluation module (EVM) for the TLK100.

Contents

1	TLK100INTEVM Purpose and Content	1
2	Information and Specifications	1
	2.1 Usage Setup and Configuration	2
	2.2 Address Settings	2
	2.3 TLK100INTEVM Connections	2
3	TLK100INTEVM Specification	2
	3.1 Overview	2
	3.2 Required Resources	2
	3.3 Features	3
	3.4 EVM Block Diagram	4
	3.5 PCB Physical Layout	5
4	Software	5
5	EVM Schematics	5

List of Figures

1	EVM Block Diagram	4
2	EVM Layout.....	5

List of Tables

1	TLK100INTEVM Connections	2
---	--------------------------------	---

1 TLK100INTEVM Purpose and Content

The purpose of TLK100INTEVM is to provide Texas Instruments customers the ability to quickly design and market systems containing the TLK100 chip. Customers are encouraged to copy EVM components to expedite their design process.

TLK100INTEVM operates using only a single voltage (5V from the MII). All other voltages are internally produced.

The EVM kit contains:

- TLK100INTEVM Unit
- Printed copy of this User's Guide
- TLK100INTEVM Schematic

2 Information and Specifications

This section contains specifications of the TLK100INTEVM card, as well as a description of the card's interfaces, connectors, jumpers and LEDs.

2.1 Usage Setup and Configuration

Power for the TLK100INTEVM is supplied via MII connector.

- If 5V is supplied, the on-board U100 voltage regulator converts the 5V to 3.3V for the device. J100 should be removed.
- If 3.3V is supplied from the MII connector, J100 needs to be on; R101 should be assembled and R102 should be removed.

2.2 Address Settings

The PMD address for TLK100INTEVM Physical Layer device is set by the following jumpers:

J107: PHY ID [0]

J106: PHY ID [1]

J105: PHY ID [2]

- **Default board setting for the PHY Address is 01 h**
- The board may be set to PHY Address 00h-07h by adding jumper J105-J107.

2.3 TLK100INTEVM Connections

The following table describes the connections of the TLK100INTEVM:

Table 1. TLK100INTEVM Connections

Jumper	Name	Function
P100	MII Male Connector	MII interface
J100	MII 3V3 option	Use 3V3 MII supply
J102	RESET N	Reset the device
J108	Central Tap voltage selector	Use 3.3V/1.8V central tap voltage
U105	RJ45	RJ45 Ethernet connector
J105-J107(Not populated)	PHY ID[0:2]	Config PHY ID address
J103	25M out	25M clock output
J101	MDI_EN	Disable auto crossover and enable.

3 TLK100INTEVM Specification

3.1 Overview

The TLK100INTEVM is a Texas Instruments platform that allows evaluation of the TLK100 device; and, it demonstrates the advanced features specified in the TLK100 data sheet. The EVM supports 10/100 Base-T and is compliant with IEEE 802.3 standard.

The TLK100INTEVM works with a single supply (5V or 3.3V) from the MII. All other voltages required for the TLK100 are internally generated in the device.

The TLK100INTEVM is designed to work in industrial temperatures.

3.2 Required Resources

Any equipment that provides a standard IEEE 802.3, Clause 22 MII DTE interface; e.g. SmartBits/Netcom box.

3.3 Features

The TLK100INTEVM features:

- Industrial temperatures (–40°C to +85°C)
- Industrial temperature external magnetics.
- Control and status:
 - Configurable 8 PHY Addresses – 01h (default) or any other address between 00h-07h using jumpers as described in [Table 1](#).
 - 4 LEDs – 1 power, 3 status (Speed, Link, and Active Data)
- Strap Options:
 - MDI_EN jumper (Crossover disable)
 - Resistor strapping options:
 - Configurable PHY Addresses 08h–31h
 - CFG_ANEG_MODE
 - CFG_ANAEG_SPD_0,1
 - LED_CONFIGURATION
 - RESET_N jumper
- Connections for the following interfaces:
 - MII connector
 - RJ-45
- Single-sided component placement
- On-board clock – Crystal/Oscillator Dual Footprint
- On-board power supplied by MII connector only; jumper to configure 5V or 3.3V

3.4 EVM Block Diagram

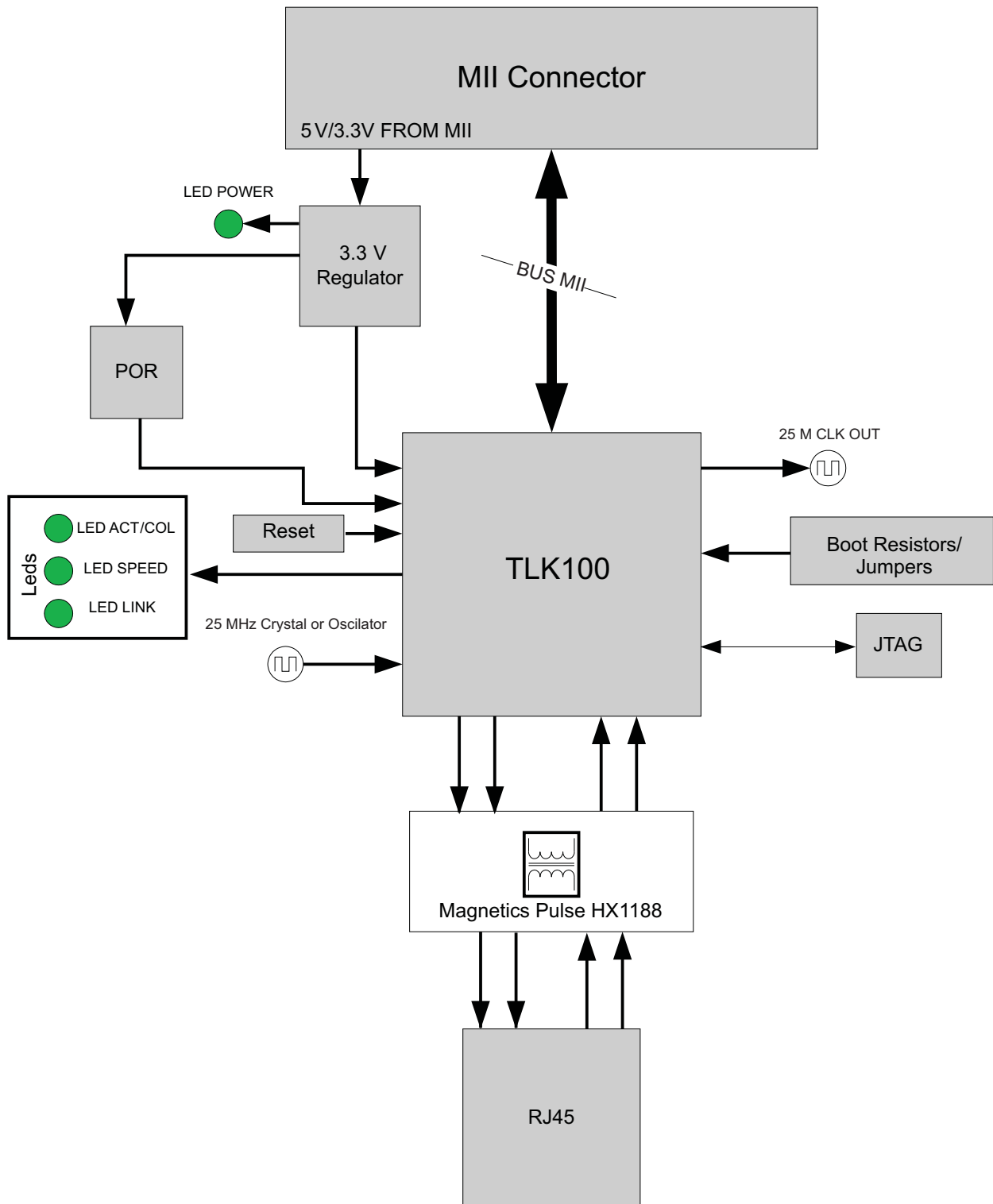


Figure 1. EVM Block Diagram

EVALUATION BOARD/KIT IMPORTANT NOTICE

Texas Instruments (TI) provides the enclosed product(s) under the following conditions:

This evaluation board/kit is intended for use for **ENGINEERING DEVELOPMENT, DEMONSTRATION, OR EVALUATION PURPOSES ONLY** and is not considered by TI to be a finished end-product fit for general consumer use. Persons handling the product(s) must have electronics training and observe good engineering practice standards. As such, the goods being provided are not intended to be complete in terms of required design-, marketing-, and/or manufacturing-related protective considerations, including product safety and environmental measures typically found in end products that incorporate such semiconductor components or circuit boards. This evaluation board/kit does not fall within the scope of the European Union directives regarding electromagnetic compatibility, restricted substances (RoHS), recycling (WEEE), FCC, CE or UL, and therefore may not meet the technical requirements of these directives or other related directives.

Should this evaluation board/kit not meet the specifications indicated in the User's Guide, the board/kit may be returned within 30 days from the date of delivery for a full refund. **THE FOREGOING WARRANTY IS THE EXCLUSIVE WARRANTY MADE BY SELLER TO BUYER AND IS IN LIEU OF ALL OTHER WARRANTIES, EXPRESSED, IMPLIED, OR STATUTORY, INCLUDING ANY WARRANTY OF MERCHANTABILITY OR FITNESS FOR ANY PARTICULAR PURPOSE.**

The user assumes all responsibility and liability for proper and safe handling of the goods. Further, the user indemnifies TI from all claims arising from the handling or use of the goods. Due to the open construction of the product, it is the user's responsibility to take any and all appropriate precautions with regard to electrostatic discharge.

EXCEPT TO THE EXTENT OF THE INDEMNITY SET FORTH ABOVE, NEITHER PARTY SHALL BE LIABLE TO THE OTHER FOR ANY INDIRECT, SPECIAL, INCIDENTAL, OR CONSEQUENTIAL DAMAGES.

TI currently deals with a variety of customers for products, and therefore our arrangement with the user **is not exclusive**.

TI assumes **no liability for applications assistance, customer product design, software performance, or infringement of patents or services described herein**.

Please read the User's Guide and, specifically, the Warnings and Restrictions notice in the User's Guide prior to handling the product. This notice contains important safety information about temperatures and voltages. For additional information on TI's environmental and/or safety programs, please contact the TI application engineer or visit www.ti.com/esh.

No license is granted under any patent right or other intellectual property right of TI covering or relating to any machine, process, or combination in which such TI products or services might be or are used.

FCC Warning

This evaluation board/kit is intended for use for **ENGINEERING DEVELOPMENT, DEMONSTRATION, OR EVALUATION PURPOSES ONLY** and is not considered by TI to be a finished end-product fit for general consumer use. It generates, uses, and can radiate radio frequency energy and has not been tested for compliance with the limits of computing devices pursuant to part 15 of FCC rules, which are designed to provide reasonable protection against radio frequency interference. Operation of this equipment in other environments may cause interference with radio communications, in which case the user at his own expense will be required to take whatever measures may be required to correct this interference.

EVM WARNINGS AND RESTRICTIONS

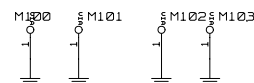
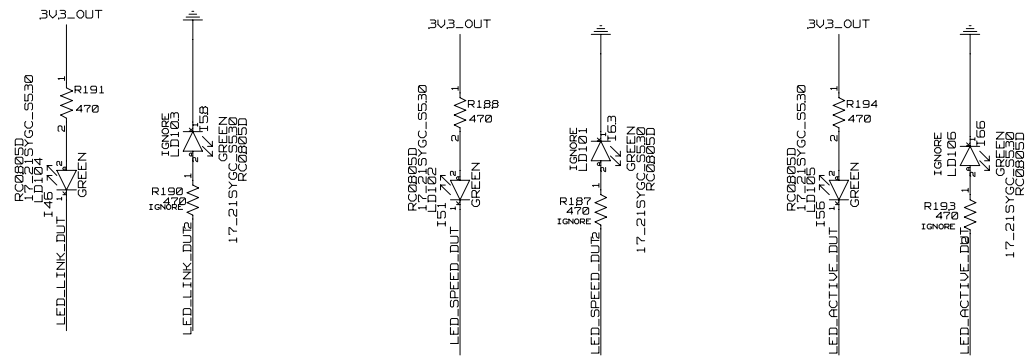
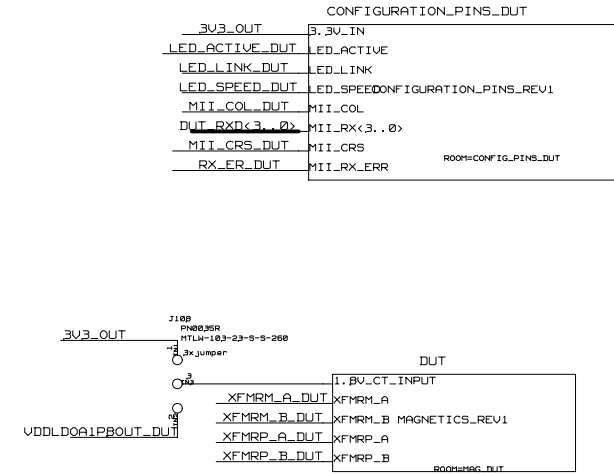
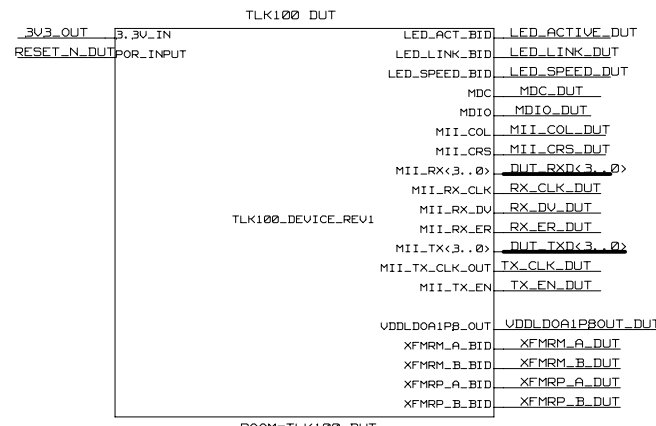
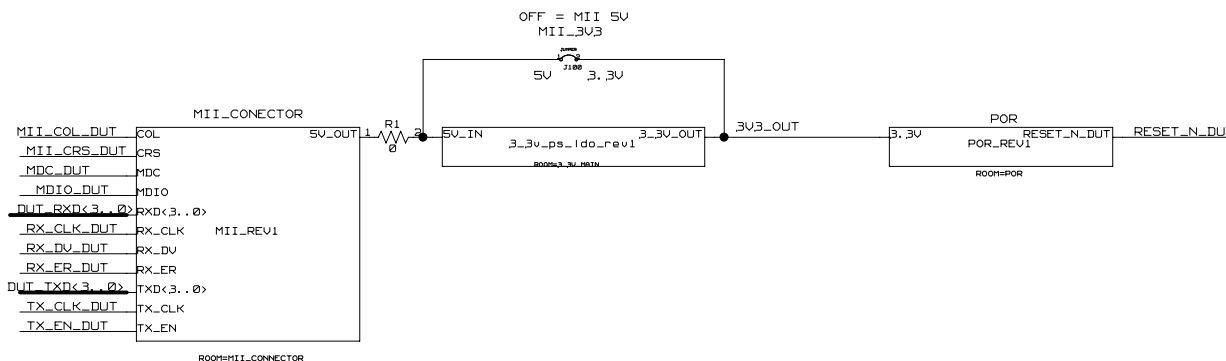
It is important to operate this EVM within the power supply voltage range of 5 V or 3.3 V.

Exceeding the specified input range may cause unexpected operation and/or irreversible damage to the EVM. If there are questions concerning the input range, please contact a TI field representative prior to connecting the input power.

Applying loads outside of the specified output range may result in unintended operation and/or possible permanent damage to the EVM. Please consult the EVM User's Guide prior to connecting any load to the EVM output. If there is uncertainty as to the load specification, please contact a TI field representative.

During normal operation, some circuit components may have case temperatures greater than 60°C. The EVM is designed to operate properly with certain components above 60°C as long as the input and output ranges are maintained. These components include but are not limited to linear regulators, switching transistors, pass transistors, and current sense resistors. These types of devices can be identified using the EVM schematic located in the EVM User's Guide. When placing measurement probes near these devices during operation, please be aware that these devices may be very warm to the touch.

Mailing Address: Texas Instruments, Post Office Box 655303, Dallas, Texas 75265
Copyright © 2009, Texas Instruments Incorporated

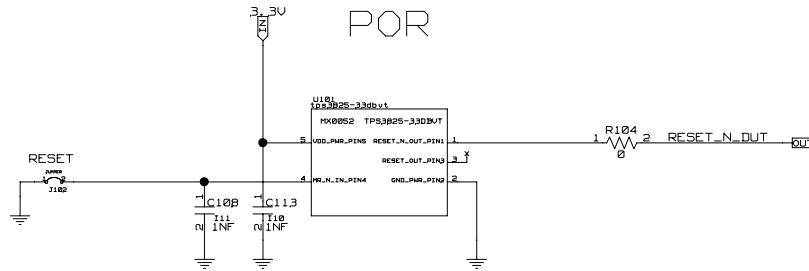


TEXAS INSTRUMENTS

THIS DOCUMENT CONTAINS INFORMATION PROPRIETARY TO TEXAS INSTRUMENTS - DSP SYSTEMS ISRAEL. USE OR DISCLOSURE WITHOUT THE WRITTEN PERMISSION IS EXPRESSLY FORBIDDEN. COPYRIGHT (C) TI 2009

DATE: Wed May 20 17:07:12 2009

ASSY NAME: TLK100_INT_EV0	REV: 2
EDGE NUMBER: 6511B35	
ENGINEER: OFIR BEN JOSEPH	
PART NO: PC0119	
DRW PAGE: 1 OF 1	
DESIGN PAGE: 2 OF 17	



TEXAS
INSTRUMENTS

THIS DOCUMENT CONTAINS INFORMATION PROPRIETARY
TO TEXAS INSTRUMENTS - DSP SYSTEMS ISRAEL
USE OR DISCLOSURE WITHOUT THE WRITTEN PERMISSION
IS EXPRESSLY FORBIDDEN. COPYRIGHT (C) TI 2009
DATE: wed May 20 17:07:19 2009

ASSY NAME: TLK100_INT_EVM

EDGE NUMBER: 6511035

ENGINEER: OFIR BEN JOSEPH

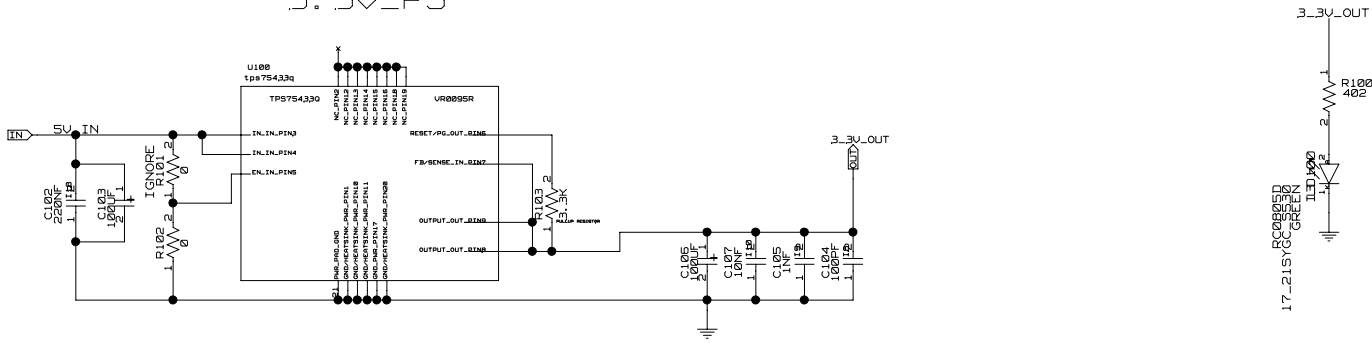
PART NO: PC0119

REV: 2

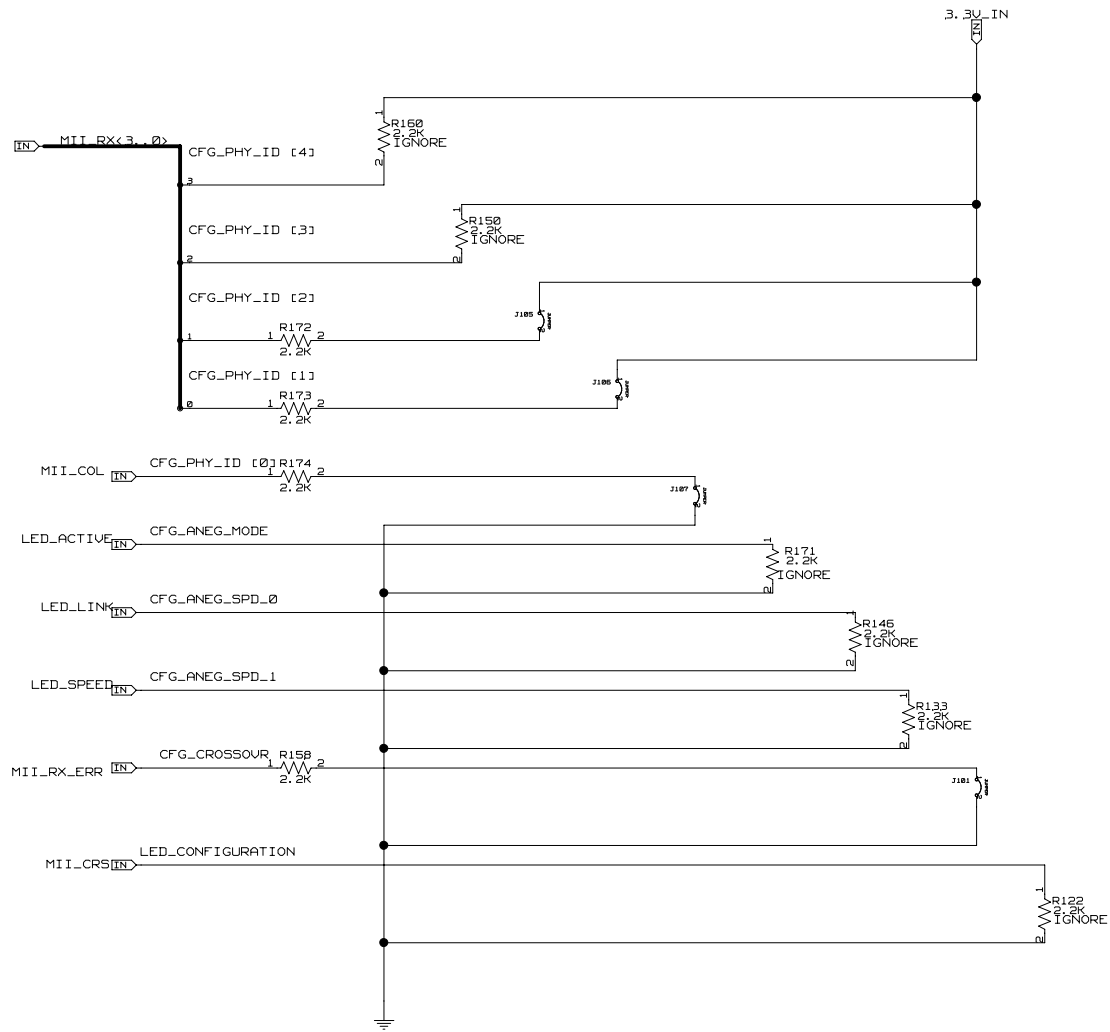
DRW PAGE: 1 OF 1

DESIGN PAGE: 3 OF 17

3.3V_LPS



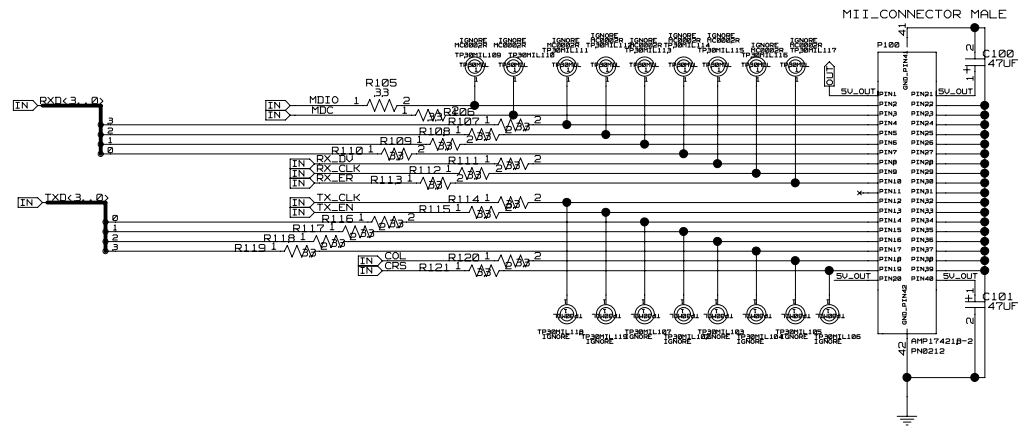
<h2 style="margin: 0;">TEXAS INSTRUMENTS</h2>		ASSY NAME: TLK100_INT_EVM EDGE NUMBER: 6511035 ENGINEER: OFIR BEN JOSEPH
THIS DOCUMENT CONTAINS INFORMATION PROPRIETARY TO TEXAS INSTRUMENTS - DSP SYSTEMS ISRAEL. USE OR DISCLOSURE WITHOUT THE WRITTEN PERMISSION IS EXPRESSLY FORBIDDEN. COPYRIGHT (C) TI 2006		PART NO: PC0119 REV: 2
DATE: Wed May 20 17:07:26 2009		DRW PAGE: 1 OF 1 DESIGN PAGE: 5 OF 17



TEXAS
INSTRUMENTS

THIS DOCUMENT CONTAINS INFORMATION PROPRIETARY TO TEXAS INSTRUMENTS - DSP SYSTEMS ISRAEL. USE OR DISCLOSURE WITHOUT THE WRITTEN PERMISSION IS EXPRESSLY FORBIDDEN. COPYRIGHT (C) TI 2006
DATE: wed May 20 17:07:30 2009

ASSY NAME: TLK100_INT_EVM
EDGE NUMBER: 6511035
ENGINEER: OFIR BEN JOSEPH
PART NO: PC0119 REV: 2
DRW PAGE: 1 OF 1
DESIGN PAGE: 6 OF 17



TEXAS
INSTRUMENTS

THIS DOCUMENT CONTAINS INFORMATION PROPRIETARY TO TEXAS INSTRUMENTS - DSP SYSTEMS ISRAEL. USE OR DISCLOSURE WITHOUT THE WRITTEN PERMISSION IS EXPRESSLY FORBIDDEN. COPYRIGHT (C) TI 2005
DATE: wed May 20 17:07:33 2009

ASSY NAME: TLK100_INT_EVM
EDGE NUMBER: 6511B35
ENGINEER: OFIR BEN JOSEPH
PART NO: PC0119 REV: 2

DRW PAGE: 1 OF 1
DESIGN PAGE: 7 OF 17

IMPORTANT NOTICE

Texas Instruments Incorporated and its subsidiaries (TI) reserve the right to make corrections, modifications, enhancements, improvements, and other changes to its products and services at any time and to discontinue any product or service without notice. Customers should obtain the latest relevant information before placing orders and should verify that such information is current and complete. All products are sold subject to TI's terms and conditions of sale supplied at the time of order acknowledgment.

TI warrants performance of its hardware products to the specifications applicable at the time of sale in accordance with TI's standard warranty. Testing and other quality control techniques are used to the extent TI deems necessary to support this warranty. Except where mandated by government requirements, testing of all parameters of each product is not necessarily performed.

TI assumes no liability for applications assistance or customer product design. Customers are responsible for their products and applications using TI components. To minimize the risks associated with customer products and applications, customers should provide adequate design and operating safeguards.

TI does not warrant or represent that any license, either express or implied, is granted under any TI patent right, copyright, mask work right, or other TI intellectual property right relating to any combination, machine, or process in which TI products or services are used. Information published by TI regarding third-party products or services does not constitute a license from TI to use such products or services or a warranty or endorsement thereof. Use of such information may require a license from a third party under the patents or other intellectual property of the third party, or a license from TI under the patents or other intellectual property of TI.

Reproduction of TI information in TI data books or data sheets is permissible only if reproduction is without alteration and is accompanied by all associated warranties, conditions, limitations, and notices. Reproduction of this information with alteration is an unfair and deceptive business practice. TI is not responsible or liable for such altered documentation. Information of third parties may be subject to additional restrictions.

Resale of TI products or services with statements different from or beyond the parameters stated by TI for that product or service voids all express and any implied warranties for the associated TI product or service and is an unfair and deceptive business practice. TI is not responsible or liable for any such statements.

TI products are not authorized for use in safety-critical applications (such as life support) where a failure of the TI product would reasonably be expected to cause severe personal injury or death, unless officers of the parties have executed an agreement specifically governing such use. Buyers represent that they have all necessary expertise in the safety and regulatory ramifications of their applications, and acknowledge and agree that they are solely responsible for all legal, regulatory and safety-related requirements concerning their products and any use of TI products in such safety-critical applications, notwithstanding any applications-related information or support that may be provided by TI. Further, Buyers must fully indemnify TI and its representatives against any damages arising out of the use of TI products in such safety-critical applications.

TI products are neither designed nor intended for use in military/aerospace applications or environments unless the TI products are specifically designated by TI as military-grade or "enhanced plastic." Only products designated by TI as military-grade meet military specifications. Buyers acknowledge and agree that any such use of TI products which TI has not designated as military-grade is solely at the Buyer's risk, and that they are solely responsible for compliance with all legal and regulatory requirements in connection with such use.

TI products are neither designed nor intended for use in automotive applications or environments unless the specific TI products are designated by TI as compliant with ISO/TS 16949 requirements. Buyers acknowledge and agree that, if they use any non-designated products in automotive applications, TI will not be responsible for any failure to meet such requirements.

Following are URLs where you can obtain information on other Texas Instruments products and application solutions:

Products

Amplifiers	amplifier.ti.com
Data Converters	dataconverter.ti.com
DLP® Products	www.dlp.com
DSP	dsp.ti.com
Clocks and Timers	www.ti.com/clocks
Interface	interface.ti.com
Logic	logic.ti.com
Power Mgmt	power.ti.com
Microcontrollers	microcontroller.ti.com
RFID	www.ti-rfid.com
RF/IF and ZigBee® Solutions	www.ti.com/lprf

Applications

Audio	www.ti.com/audio
Automotive	www.ti.com/automotive
Broadband	www.ti.com/broadband
Digital Control	www.ti.com/digitalcontrol
Medical	www.ti.com/medical
Military	www.ti.com/military
Optical Networking	www.ti.com/opticalnetwork
Security	www.ti.com/security
Telephony	www.ti.com/telephony
Video & Imaging	www.ti.com/video
Wireless	www.ti.com/wireless

Mailing Address: Texas Instruments, Post Office Box 655303, Dallas, Texas 75265
Copyright © 2009, Texas Instruments Incorporated