

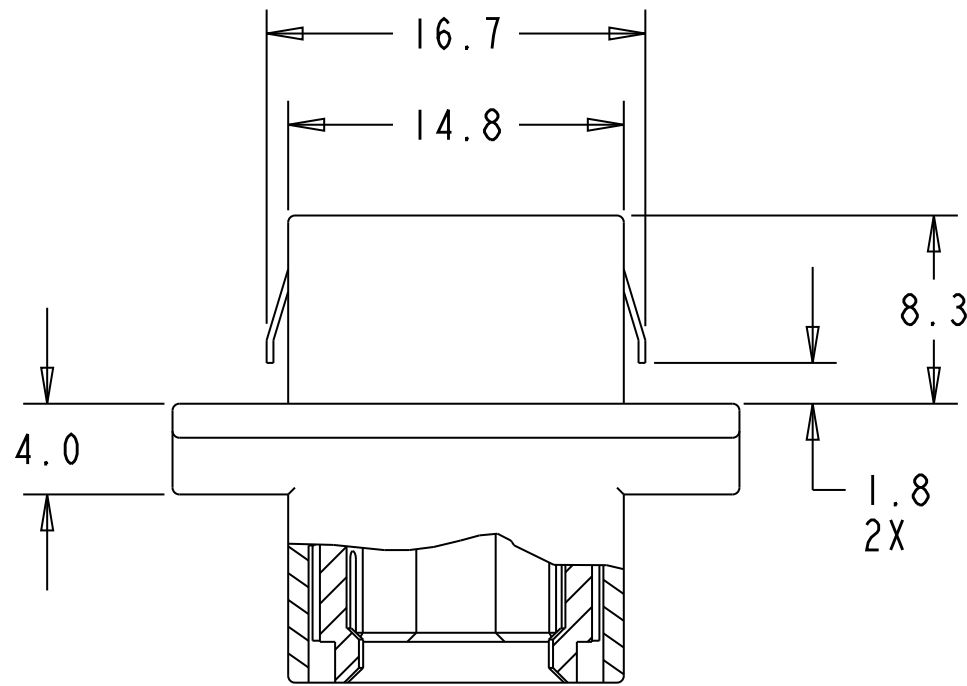
ASSY P/N	SHUTTERS
955-121-5010	NO
955-121-5110	YES

NOTES:

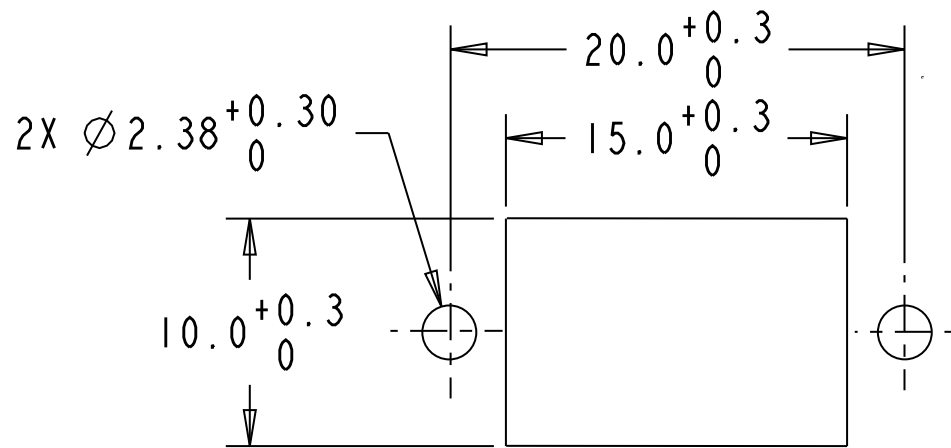
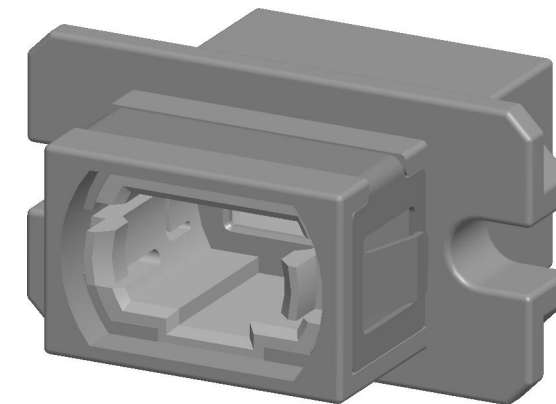
1. DIMENSIONS ARE SHOWN IN MILLIMETERS
2. ADAPTER COMPLIES WITH IEC 61754-7 AND TIA/EIA FOCIS 5 MATING STANDARDS
3. DUST CAPS NOT SHOWN FOR CLARITY
4. ADAPTER AVAILABLE W/ OR W/O SHUTTERS (SHOWN WITH SHUTTERS).
5. SUGGESTED PANEL THICKNESS 1.6mm

MATERIALS:

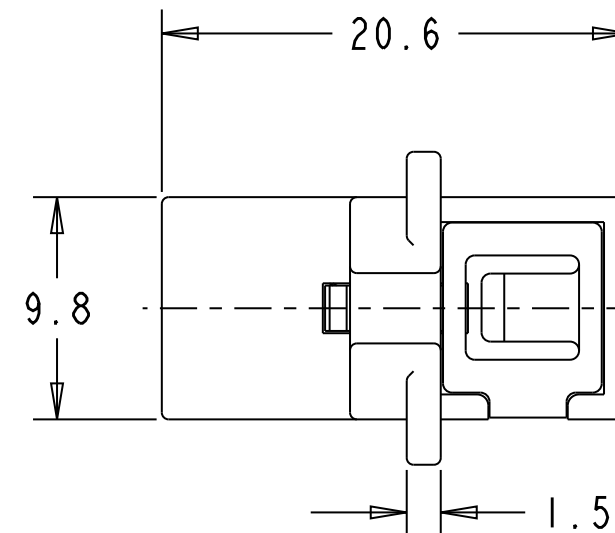
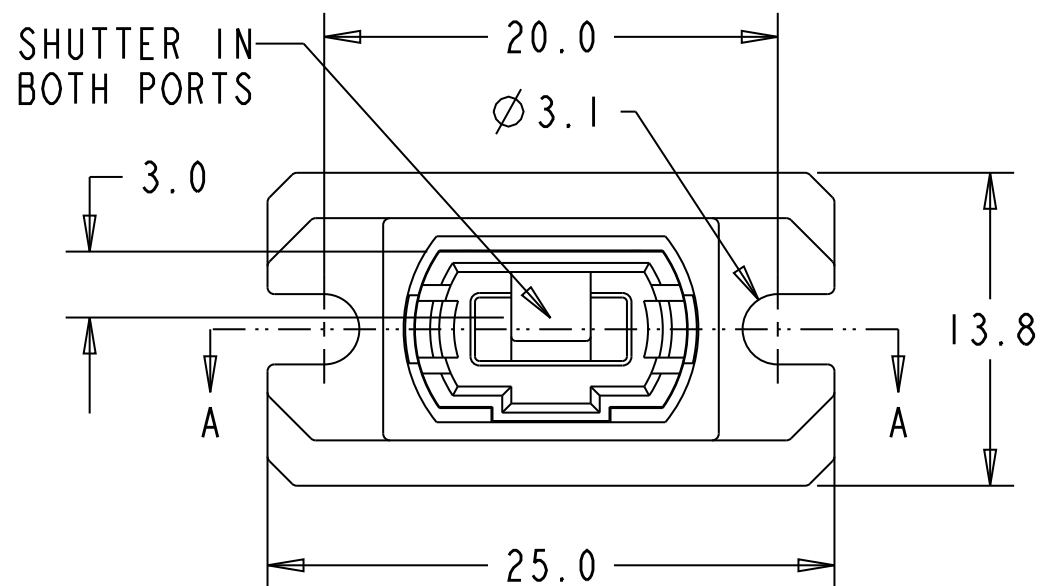
1. HOUSING & LATCH: DIE CAST ZINC, PLATED Ni OVER Cu
- SHUTTER & MOUNTING CLIP: STAINLESS STEEL
- DUST CAP: PVC, RATED UL94V-0



SECTION A-A



SUGGESTED PANEL CUTOUT



UNLESS OTHERWISE SPECIFIED TOLERANCE TO BE

LINEAR	ANGULAR
$x \pm .2$	$x \pm 1^\circ$
$x.x \pm .1$	$x.x \pm .5^\circ$
$x.xx \pm .05$	$x.xx \pm .10^\circ$

BREAK ALL SHARP EDGES AND REMOVE ALL BURRS
GD SYMBOLS PER ASME Y14.5M-1994
DO NOT SCALE DRAWING

NOTICE: These drawings, specifications, or other data (1) are remain the property of Amphenol Corporation. (2) must be returned upon request; and (3) are confidential and are not to be disclosed to any person other than those to whom they are given by Amphenol Corporation, or by any other person to anyone for any purpose is not to be regarded by implication or otherwise as in any manner licensing, granting rights or permitting such holder or any other person to manufacture, use or sell any products, process or design, patented or otherwise, that may in any way be related to or disclosed by said drawing, specifications or other data.

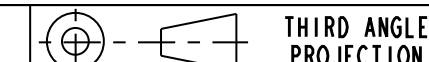
REV.	FIRST ISSUE	SG	10/10/08	E08-0947
	DESCRIPTION	APVD.	DATE	ECO NO.

MATERIAL:	DRN: M. WANG	DATE: 10-7-08
FINISH:	CKD: D. BALTRUKONIS	DATE: 10-8-08
REFERENCE:	APVD: S. HAMILTON	DATE: 10-8-08

TITLE:
ADAPTER, MPO,
DIE CAST,
STANDARD FLANGE

Amphenol
FIBER OPTIC PRODUCTS
1925A Ohio Street, Lisle, IL 60532, USA
DRAWING NO. SHEET

DIMENSIONS ARE IN MILLIMETERS



SCALE: 3:1

PART NO:

SEE TABLE

SIZE: **B**

955-121-5X10 1 OF 1