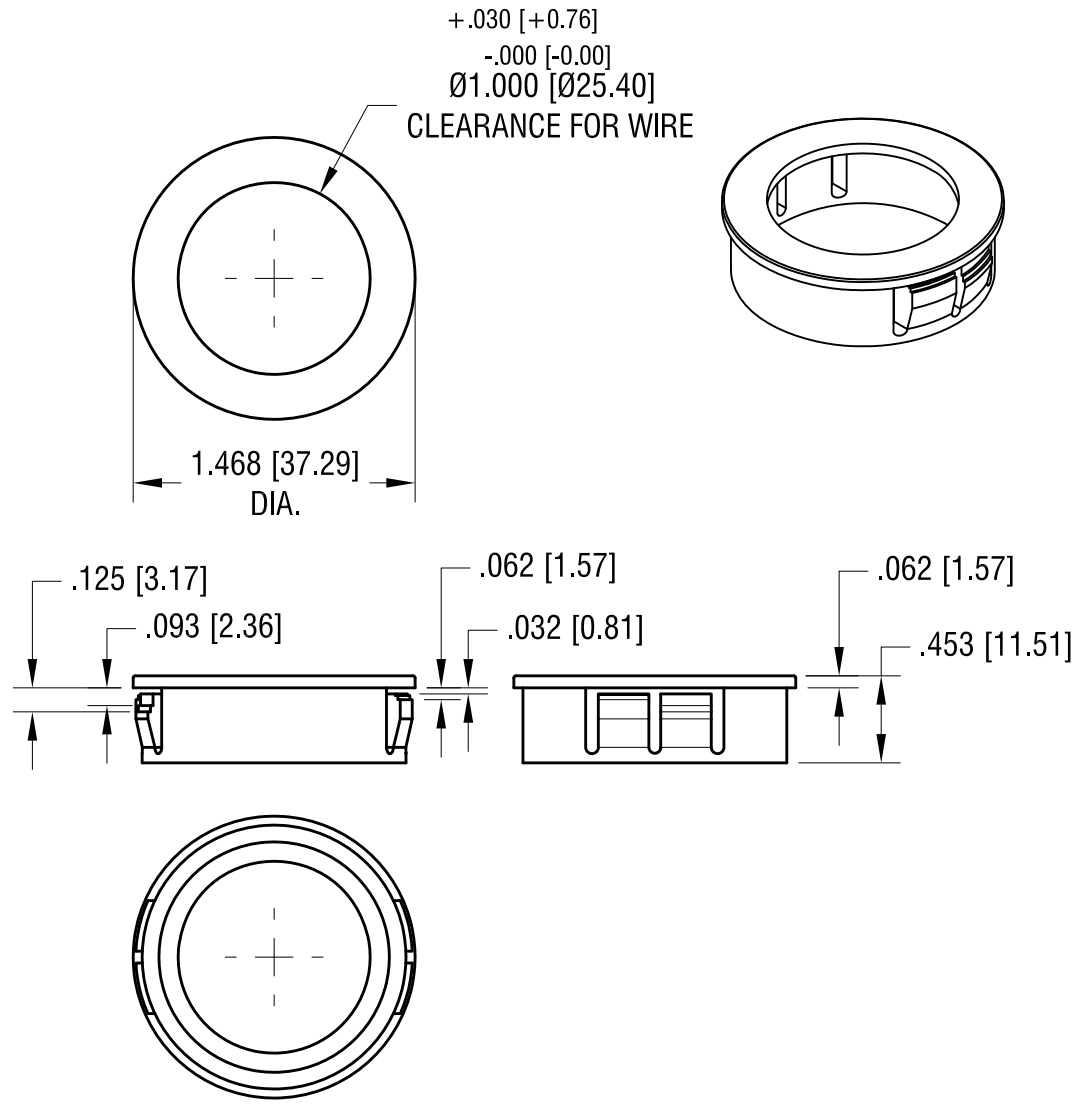


THIS DOCUMENT IS THE PROPERTY OF
KEYSTONE ELECTRONICS CORP. AND
SHALL NOT BE REPRODUCED, DISTRIBUTED
OR USED AS A BASIS FOR MANUFACTURE
WITHOUT PRIOR WRITTEN PERMISSION
FROM KEYSTONE ELECTRONICS CORP.



4.21.11	CHANGE AS PER ECR 11-056	A
DATE	DESCRIPTION	REV.

KEYSTONE ELECTRONICS CORP.			
www.keyelco.com • ASTORIA, N.Y. 11105-2017 • Tel (718) 956-8900			
PART NAME NYLON INSULATING BUSHING			
MATERIAL NYLON 6/6, BLACK UL 94V-2			
FINISH -		DRN BY BOONE	DATE 11.22.06
		APP'D LN	SCALE 1X
TOLERANCES DECIMAL ANGULAR	INCH ± .015 [± 0.38]	[MM]	
	± 1°		
	UNLESS OTHERWISE SPECIFIED		
CODE C/M	DWG NO.		8482