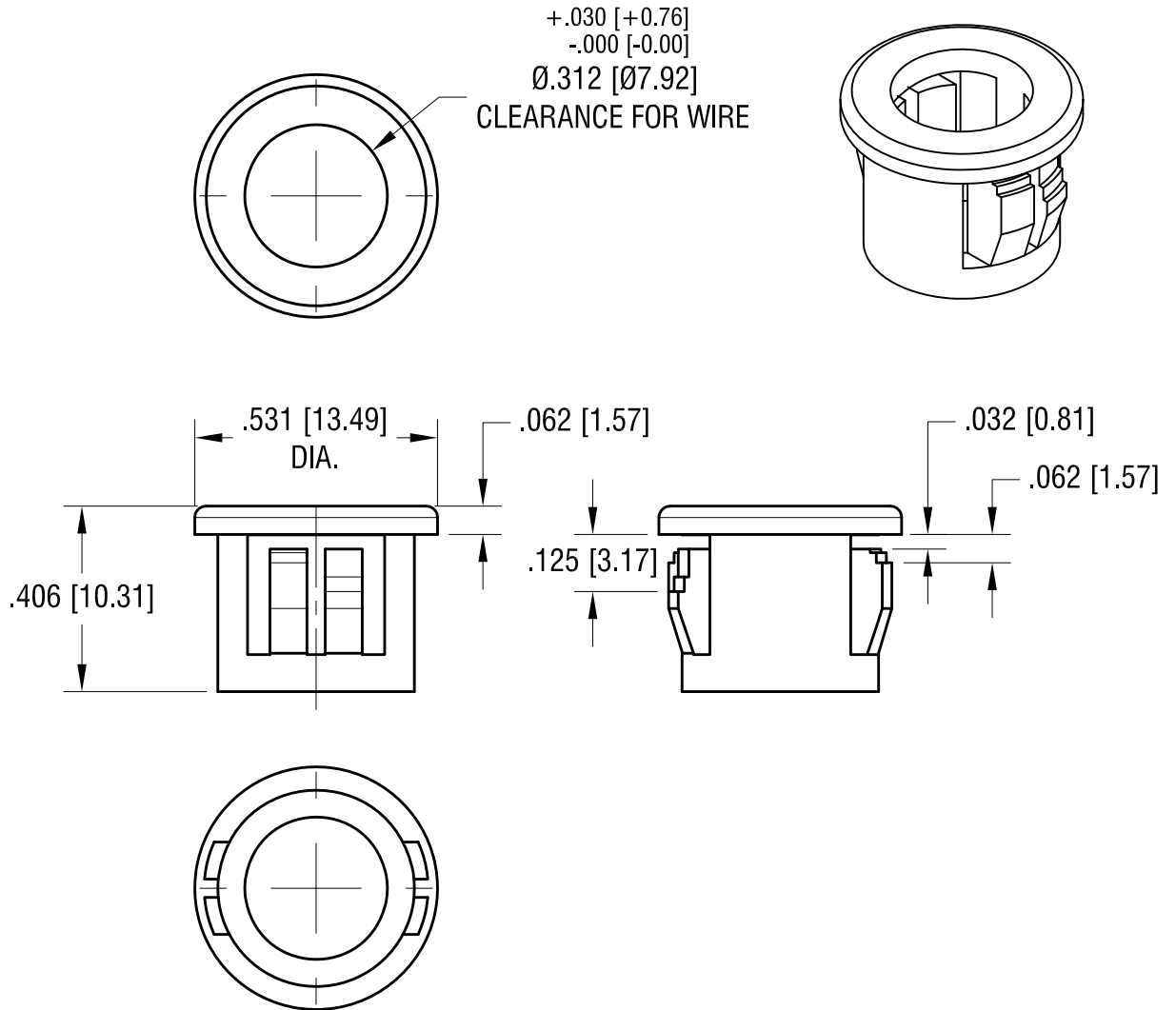


THIS DOCUMENT IS THE PROPERTY OF
KEYSTONE ELECTRONICS CORP. AND
SHALL NOT BE REPRODUCED, DISTRIBUTED
OR USED AS A BASIS FOR MANUFACTURE
WITHOUT PRIOR WRITTEN PERMISSION
FROM KEYSTONE ELECTRONICS CORP.



KEYSTONE ELECTRONICS CORP.

www.keyelco.com • ASTORIA, N.Y. 11105-2017 • Tel (718) 956-8900

PART NAME
NYLON INSULATING BUSHING

MATERIAL
NYLON 6/6, BLACK UL 94V-2

FINISH -	DRN BY BOONE	DATE 11.22.06
	APP'D LN	SCALE 3X

4.21.11 CHANGE AS PER ECR 11-056 A

TOLERANCES DECIMAL ANGULAR $\pm 1^\circ$ UNLESS OTHERWISE SPECIFIED	INCH [MM] $\pm .015$ [± 0.38]	CODE C/M	DWG NO. 8473
--	--	-------------	-----------------

DATE	DESCRIPTION	REV.
------	-------------	------