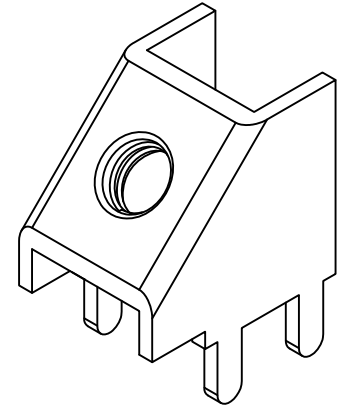
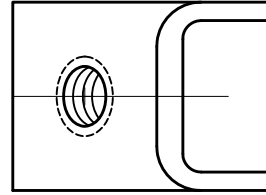
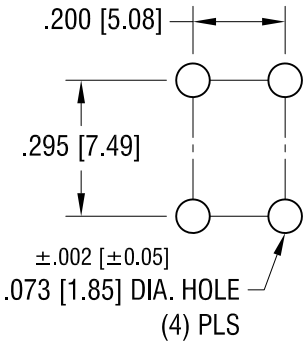
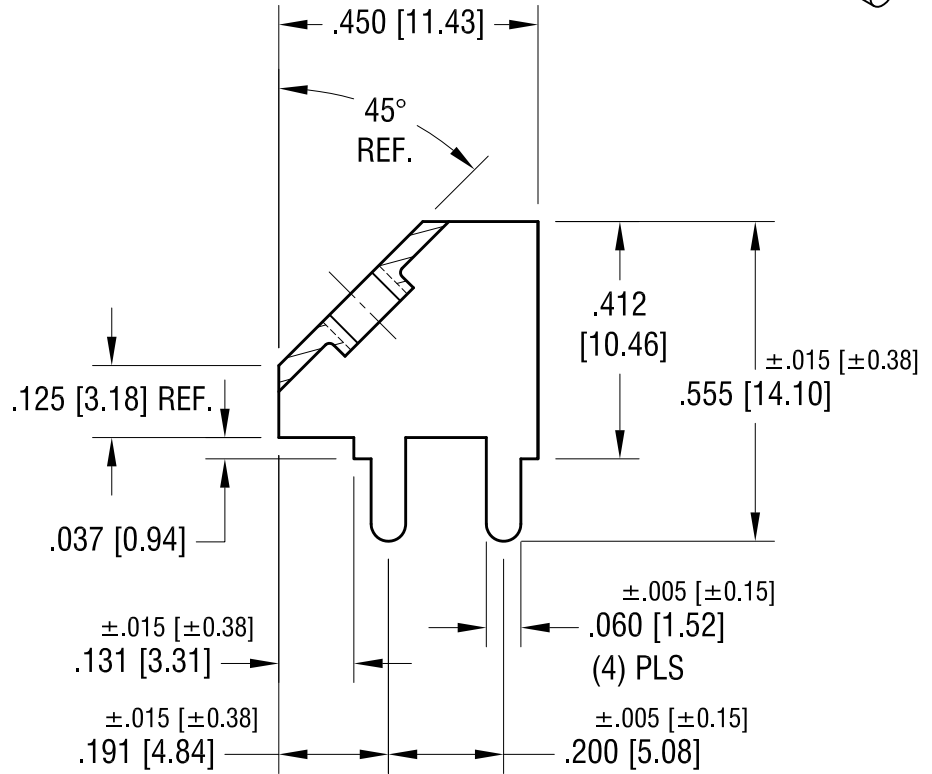
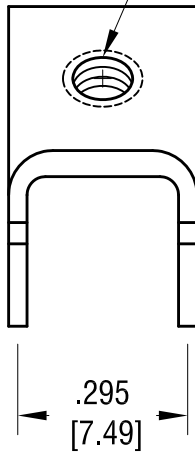


THIS DOCUMENT IS THE PROPERTY OF KEYSTONE ELECTRONICS CORP. AND SHALL NOT BE REPRODUCED, DISTRIBUTED OR USED AS A BASIS FOR MANUFACTURE WITHOUT PRIOR WRITTEN PERMISSION FROM KEYSTONE ELECTRONICS CORP.

MOUNTING DETAIL



6-32 THREAD
CLASS 2B



KEYSTONE ELECTRONICS CORP.

www.keyelco.com • ASTORIA, N.Y. 11105-2017 • Tel (718) 956-8900

PART NAME
45° PC SCREW TERMINAL

MATERIAL
.032 [0.81] TH'K BRASS

FINISH MATTE TIN PLATE	DRN BY BOONE	DATE 9.18.01
	APP'D LN	SCALE 3X

TOLERANCES DECIMAL ANGULAR	INCH [MM] ±.010 [±0.25] ± 1°	CODE C	DWG NO. 7783
----------------------------------	--	------------------	------------------------

7.14.09	CHANGE AS PER ECN 09-100	B
1.30.08	CHANGE AS PER ECN 08-065	A
DATE	DESCRIPTION	REV.