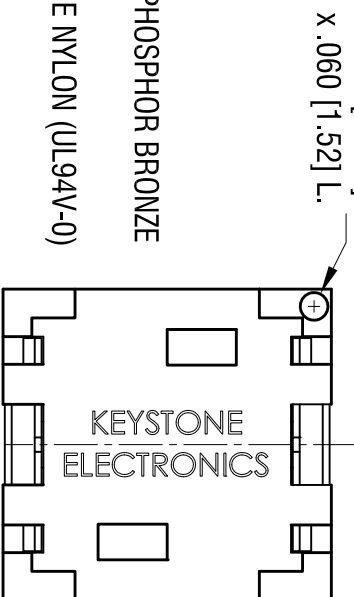
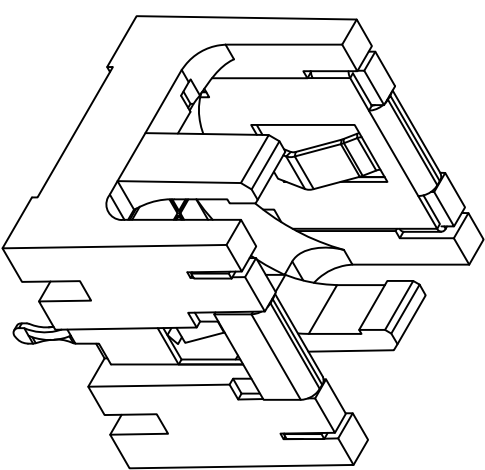
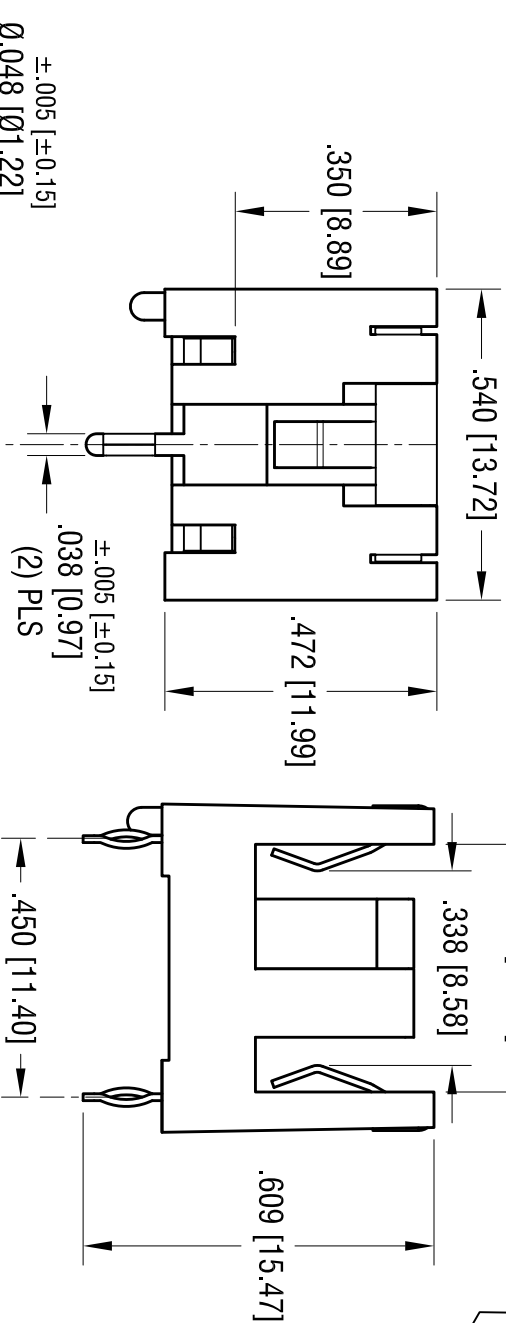
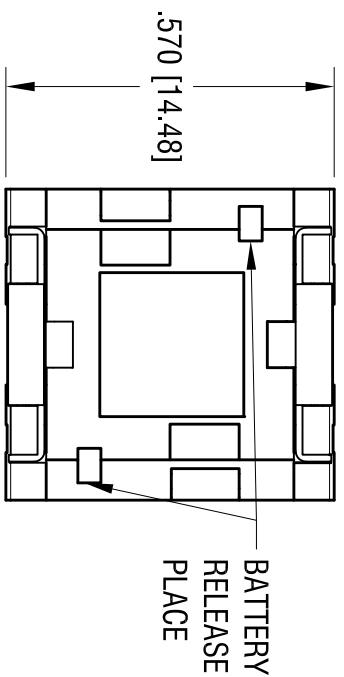
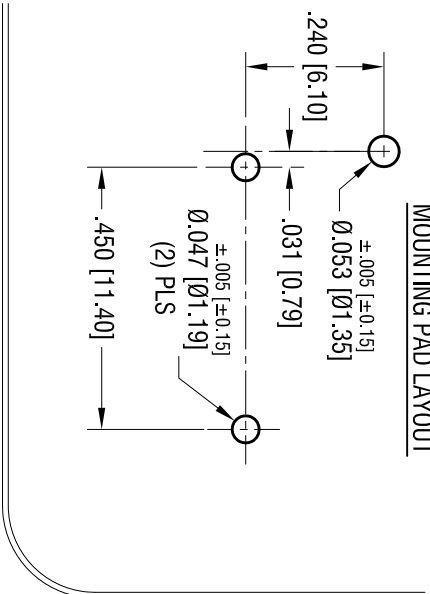


MOUNTING PAD LAYOUT



- NOTE:**
1. CONTACT: MAT'L- .012 [0.30]THK PHOSPHOR BRONZE
FINISH- TIN PLATE
 2. HOUSING: MAT'L- HEAT RESISTANCE NYLON (UL94V-0)

DATE

DESCRIPTION

REV.

KEYSTONE ELECTRONICS CORP.

www.keystecorp.com • ASTORIA, N.Y. 11105-2017 • Tel (718) 956-8900

PART NAME

1/3 N HORIZONTAL PC HOLDER

MATERIAL

AS NOTED

FINISH

AS NOTED

THIS DOCUMENT IS THE PROPERTY OF
KEYSTONE ELECTRONICS CORP. AND
SHALL NOT BE REPRODUCED, DISTRIBUTED
OR USED AS A BASIS FOR MANUFACTURE
WITHOUT PRIOR WRITTEN PERMISSION
FROM KEYSTONE ELECTRONICS CORP.

TOLERANCES	INCH	[MM]	CODE	DWG NO.
DECIMAL	± .010	[± 0.25]	C	503
ANGULAR	± 1°			
UNLESS OTHERWISE SPECIFIED				

DRN BY	DATE
NT	4.27.10
APP'D	SCALE
LN	3X