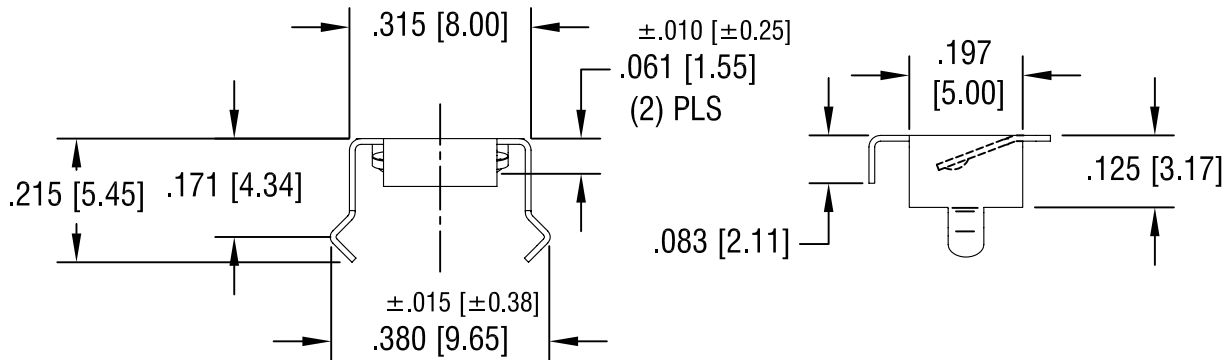
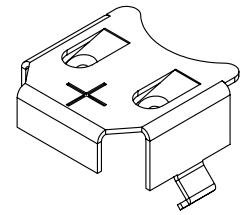
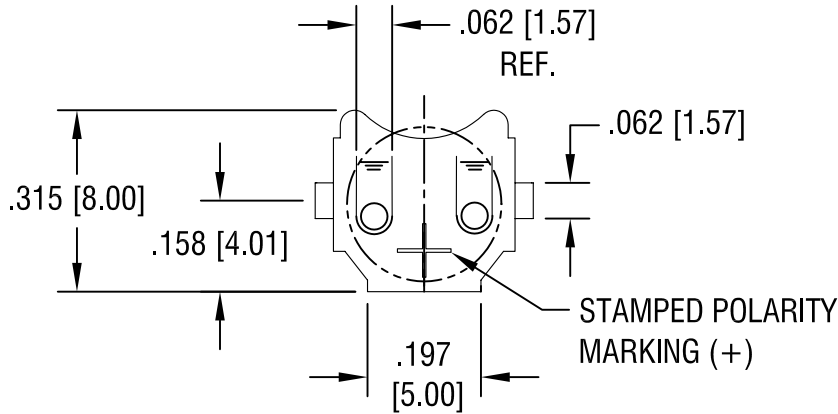
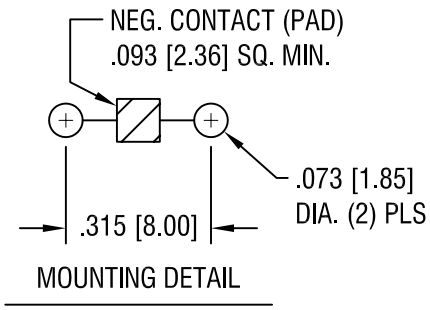


THIS DOCUMENT IS THE PROPERTY OF
KEYSTONE ELECTRONICS CORP. AND
SHALL NOT BE REPRODUCED, DISTRIBUTED
OR USED AS A BASIS FOR MANUFACTURE
WITHOUT PRIOR WRITTEN PERMISSION
FROM KEYSTONE ELECTRONICS CORP.



KEYSTONE ELECTRONICS CORP.

ASTORIA, N.Y. 11105-2017

PART NAME

6.8mm THRU HOLE BUTTON CELL RETAINER

MATERIAL

.010 [0.25] TH'K PHOSPHOR BRONZE

FINISH

TIN NICKEL PLATE

DRN BY

BOONE

DATE

11.13.07

APP'D

LN

SCALE

3X

3.20.08

CHANGE AS PER ECN 08-096

A

TOLERANCES

INCH [MM]

CODE

DWG NO.

DECIMAL

± .005 [± 0.15]

C

ANGULAR

± 1°

UNLESS OTHERWISE SPECIFIED

2999

DATE

DESCRIPTION

REV.