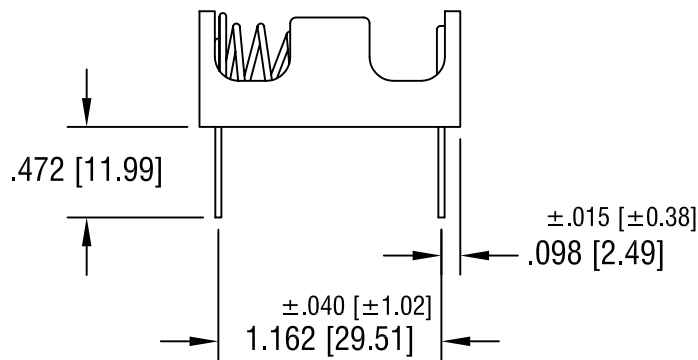
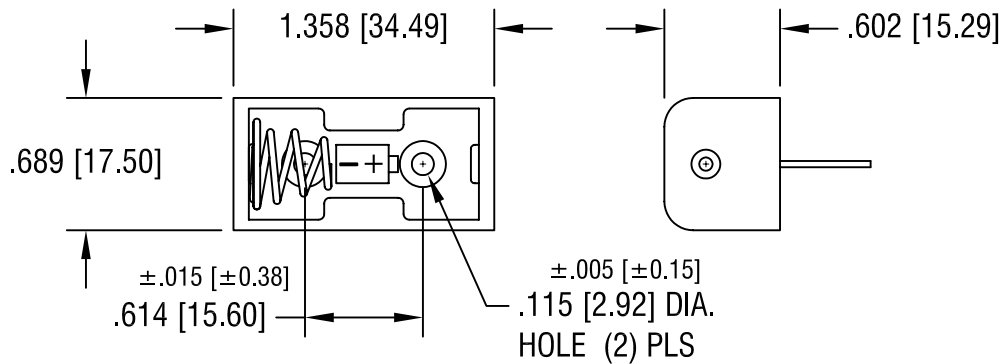
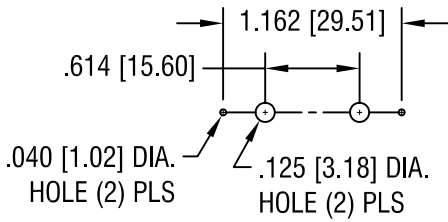


THIS DOCUMENT IS THE PROPERTY OF  
KEYSTONE ELECTRONICS CORP. AND  
SHALL NOT BE REPRODUCED, DISTRIBUTED  
OR USED AS A BASIS FOR MANUFACTURE  
WITHOUT PRIOR WRITTEN PERMISSION  
FROM KEYSTONE ELECTRONICS CORP.

**MOUNTING DETAIL**



**NOTE:**

- 1. HOLDER: MAT'L: POLYPROPYLENE
- SPRING: MAT'L: MUSIC WIRE, .024 [0.60] DIA.
- PC TERMINALS: MAT'L: BRASS, .032 [0.81] DIA.

**KEYSTONE ELECTRONICS CORP.**

ASTORIA, N.Y. 11105-2017

PART NAME				PC BATTERY HOLDER (1) '1/2AA'			
MATERIAL				AS NOTED			
FINISH		DRN BY		DATE		SCALE	
NICKEL PLATE		BOONE		5.5.05		1X	
TOLERANCES		INCH		[MM]		CODE	
DECIMAL		± .020		[± 0.50 ]		C/M	
ANGULAR		± 1°		UNLESS OTHERWISE SPECIFIED		DWG NO.	
UNLESS OTHERWISE SPECIFIED						2485	

7.5.07	CHANGE AS PER ECN 07-041	B
DATE	DESCRIPTION	REV.