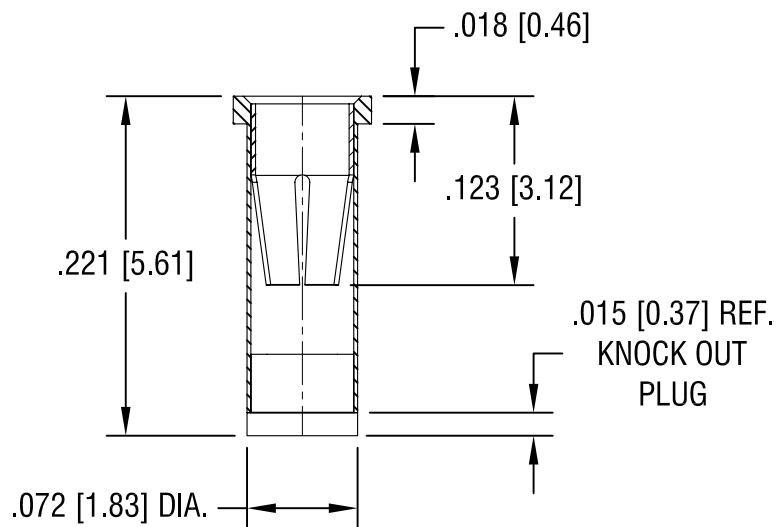
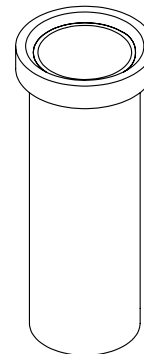
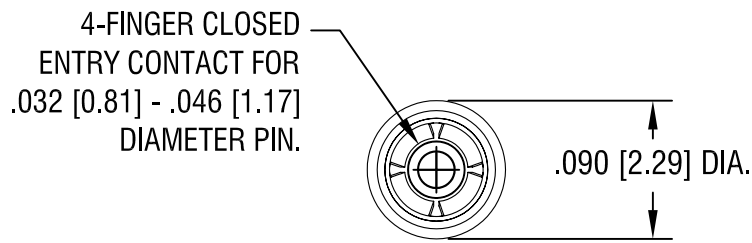


THIS DOCUMENT IS THE PROPERTY OF
KEYSTONE ELECTRONICS CORP. AND
SHALL NOT BE REPRODUCED, DISTRIBUTED
OR USED AS A BASIS FOR MANUFACTURE
WITHOUT PRIOR WRITTEN PERMISSION
FROM KEYSTONE ELECTRONICS CORP.



NOTES:

1. BODY: MAT'L - BRASS
FINISH- TIN / LEAD PLATE
2. SPRING CONTACT: MAT'L - BERYLLIUM COPPER
FINISH- GOLD PLATE
3. MOUNTING HOLE DIA.: .076 [1.93]

TOLERANCE ON DIAMETERS: $\pm .002$

KEYSTONE ELECTRONICS CORP.			
www.keyelco.com • ASTORIA, N.Y. 11105-2017 • Tel (718) 956-8900			
PART NAME			
MICRO JACK, SOLDER MOUNT			
MATERIAL			
AS NOTED			
FINISH		DRN BY	DATE
AS NOTED		NT	8.06.08
		APP'D	SCALE
		LN	8X
TOLERANCES	INCH [MM]	CODE	DWG NO.
DECIMAL	$\pm .005$ [± 0.15]	C/M	1488
ANGULAR	$\pm 1^\circ$		
UNLESS OTHERWISE SPECIFIED			

DATE	DESCRIPTION	REV.