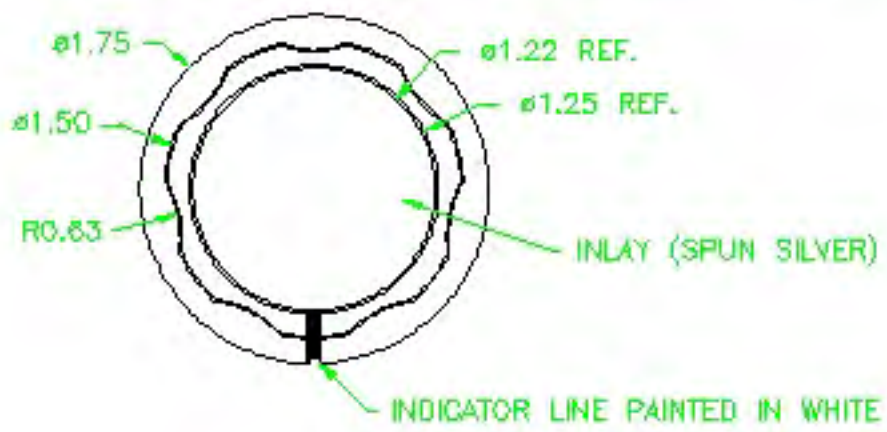
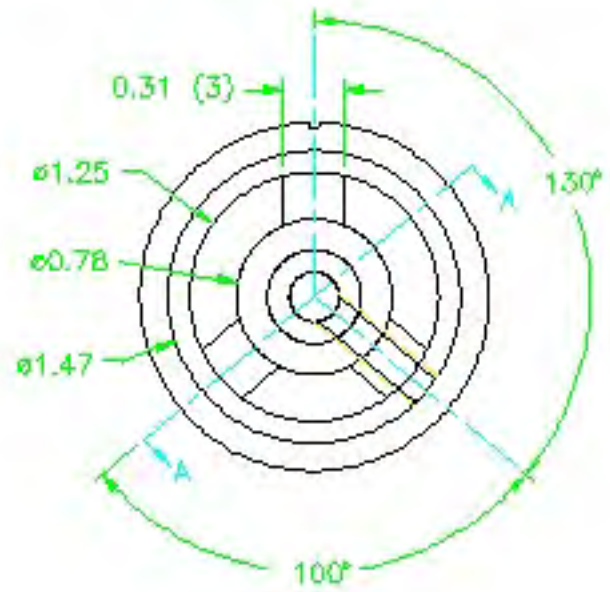
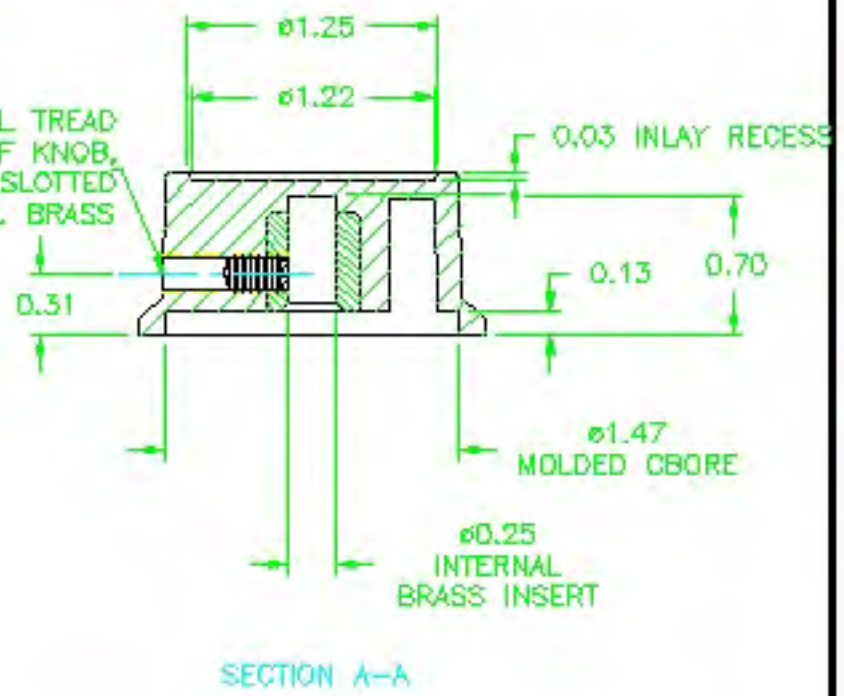
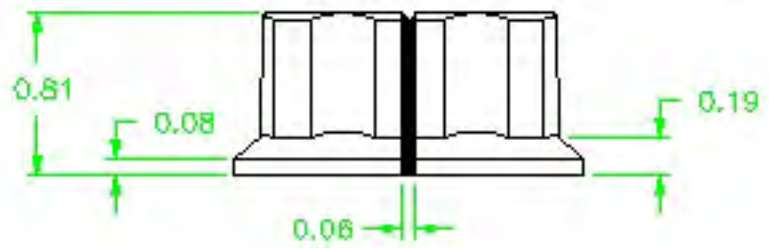


THIS DRAWING IS THE PROPERTY OF DAVIES MOLDING COMPANY, IS SUBMITTED SOLELY AS A DESIGN OR ENGINEERING PROJECT. WE ACCEPT NO RESPONSIBILITY WHATSOEVER FOR THE PRACTICAL APPLICATION OF THE PRECEDING TO THIS DESIGN.



ⓐ M4 X 0.7 TAPPED HOLE, FULL TREAD REQUIRED IN BODY OF KNOB, M4 X 0.7 X 8 LG. SLOTTED SET SCREW, H.H. BRASS



MATERIAL: PHENOLIC
COLOR: BLACK

TOLERANCES: UNLESS OTHERWISE SPECIFIED	DO NOT SCALE DRAWING	-	REMOVED ALTERNATE SET SCREW	JAN	6/8/01
DECIMALS: X.XXX ± .005 X.XX ± .015	MM: X.XX ± 0.15MM X.X ± 0.4MM	A	ALTERNATE M5S METRIC	JAN	8/5/01
FRACTIONS ± 1/64	ANG. ± 1'	-	REDRAW	JAN	1/17/01
CHANGES					