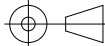




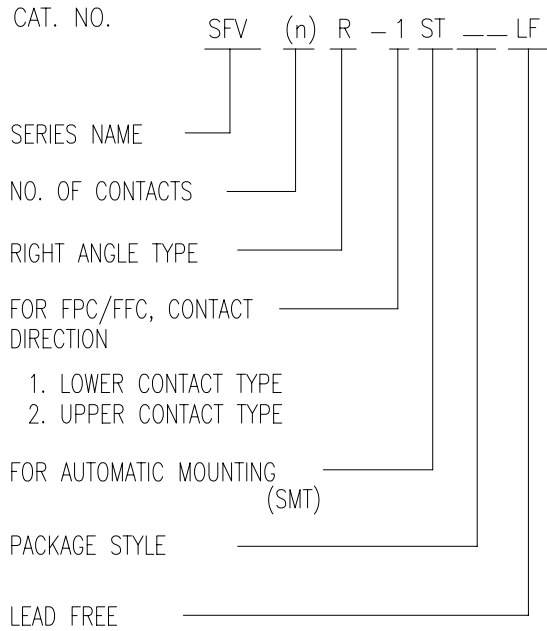
List of "SFV\_\_R-1/2STE9LF" customer document

DOCUMENT NO.	LIST
10101165(SHEET1)	CAT.NO.TABLE FOR 0.5mm CONTACT SPACING CONNECTOR (SFV__R-1/2ST_LF)
10101165(SHEET2)	CONNECTOR USED FOR FPC/FFC WITH 0.5mm CONTACT SPACING (SFV__R-1ST_LF)
10101165(SHEET3)	CONNECTOR USED FOR FPC/FFC WITH 0.5mm CONTACT SPACING (SFV__R-2ST_LF)
10101165(SHEET4)	CAT.NO.TABLE FOR PLASTIC TAPE PACKAGED 0.5mm CONTACT SPACING CONNECTOR (SFV__R-1/2STE9LF)
10101165(SHEET5)	PLASTIC TAPE PACKAGED 0.5mm CONTACT SPACING CONNECTOR (SFV__R-1STE9LF)
10101165(SHEET6)	PLASTIC TAPE PACKAGED 0.5mm CONTACT SPACING CONNECTOR (SFV__R-2STE9LF)
10101165(SHEET7)	RECOMMENDED CABLE (FPC) (SFV__R-1/2ST__)
10101165(SHEET8)	RECOMMENDED CABLE (FFC) (SFV__R-1/2ST__)
SC-SFV03	PRODUCT SPECIFICATION
BJM-SFV101	HANDLING PROCEDURES

mat'l. code				surface 58 / tolerance ISO 1302 <input checked="" type="checkbox"/> ISO 406 <input type="checkbox"/> ISO 1101 <input type="checkbox"/>				projection 		product family 58EF				CODE JP		
ltr A		ecn no S09-0140		dr DGOH		date 09-05-06		tolerances unless otherwise specified				title 0.5mm SPACING FPC/FFC CONNECTOR DOCUMENT LIST (Cat. No. : SFV__R-1/2STE9LF)				
								angles linear								
								mm 				dwg no 10101165 sheet 1 of 9 size A4				
								scale $\times$								
				dr DENNIS GOH		09-05-06						type Product Customer Drawing				
				enr DENNIS GOH		09-05-06										
				chr DENNIS GOH		09-05-06										
				appd JOEY NG		09-05-06										
sheet index		revision sheet		A 1	A 2	A 3	A 4	A 5	A 6	A 7	A 8	A 9	Rev. A			

CAT. NO. & DIMENSIONS

NO. OF CONTACTS (n)	CAT. NO.	DIMENSIONS (NOTE2)			
		A ± 0.2	B ± 0.2	C ± 0.1	D ± 0.1
4	SFV4R-1/2ST__LF	7.5	5.9	1.5	2.7
5	SFV5R-1/2ST__LF	8.0	6.4	2.0	3.2
6	SFV6R-1/2ST__LF	8.5	6.9	2.5	3.7
7	SFV7R-1/2ST__LF	9.0	7.4	3.0	4.2
8	SFV8R-1/2ST__LF	9.5	7.9	3.5	4.7
9	SFV9R-1/2ST__LF	10.0	8.4	4.0	5.2
10	SFV10R-1/2ST__LF	10.5	8.9	4.5	5.7
11	SFV11R-1/2ST__LF	11.0	9.4	5.0	6.2
12	SFV12R-1/2ST__LF	11.5	9.9	5.5	6.7
13	SFV13R-1/2ST__LF	12.0	10.4	6.0	7.2
14	SFV14R-1/2ST__LF	12.5	10.9	6.5	7.7
15	SFV15R-1/2ST__LF	13.0	11.4	7.0	8.2
16	SFV16R-1/2ST__LF	13.5	11.9	7.5	8.7
17	SFV17R-1/2ST__LF	14.0	12.4	8.0	9.2
18	SFV18R-1/2ST__LF	14.5	12.9	8.5	9.7
19	SFV19R-1/2ST__LF	15.0	13.4	9.0	10.2
20	SFV20R-1/2ST__LF	15.5	13.9	9.5	10.7
21	SFV21R-1/2ST__LF	16.0	14.4	10.0	11.2
22	SFV22R-1/2ST__LF	16.5	14.9	10.5	11.7
23	SFV23R-1/2ST__LF	17.0	15.4	11.0	12.2
24	SFV24R-1/2ST__LF	17.5	15.9	11.5	12.7
25	SFV25R-1/2ST__LF	18.0	16.4	12.0	13.2
26	SFV26R-1/2ST__LF	18.5	16.9	12.5	13.7
27	SFV27R-1/2ST__LF	19.0	17.4	13.0	14.2
28	SFV28R-1/2ST__LF	19.5	17.9	13.5	14.7
29	SFV29R-1/2ST__LF	20.0	18.4	14.0	15.2
30	SFV30R-1/2ST__LF	20.5	18.9	14.5	15.7
31	SFV31R-1/2ST__LF	21.0	19.4	15.0	16.2
32	SFV32R-1/2ST__LF	21.5	19.9	15.5	16.7
33	SFV33R-1/2ST__LF	22.0	20.4	16.0	17.2
34	SFV34R-1/2ST__LF	22.5	20.9	16.5	17.7
35	SFV35R-1/2ST__LF	23.0	21.4	17.0	18.2



NOTES

1. THIS PRODUCT IS THE CONNECTOR USED FOR FPC AND COPES WITH AUTOMATIC MOUNTING (SMT).
2. SEE PART DRAWINGS FOR DIMENSIONS A~D.

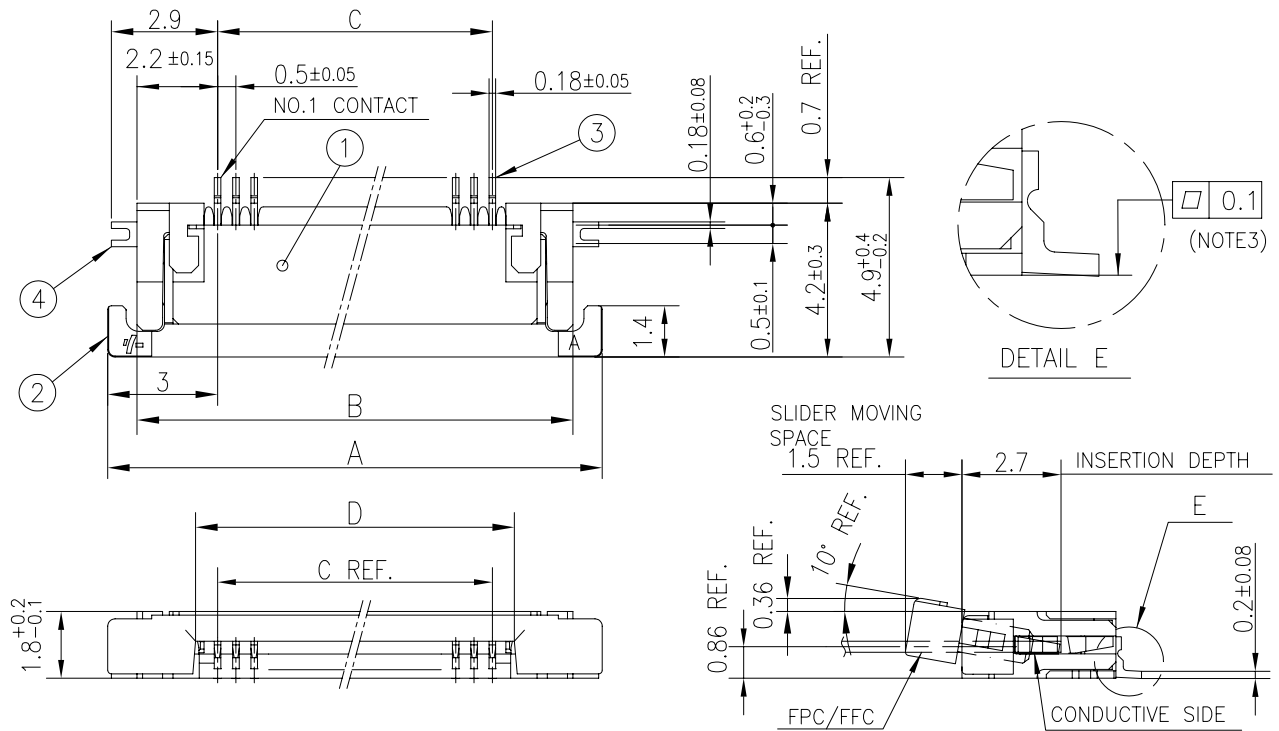


FCIconnect.com

Copyright FCI.



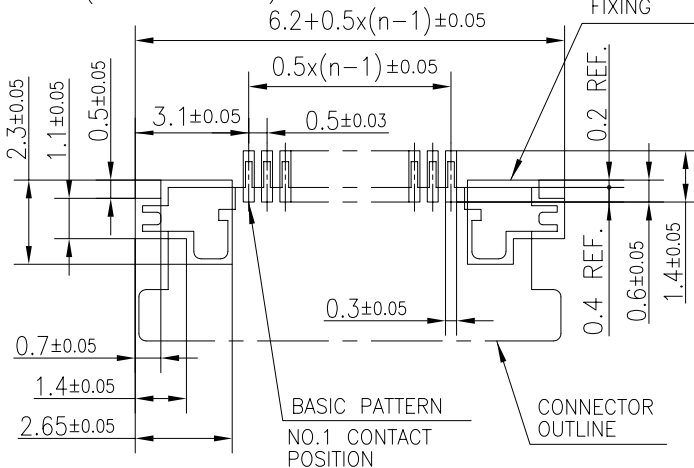
mat'l. code				surface ISO 1302 <input checked="" type="checkbox"/>		tolerance ISO 406 <input checked="" type="checkbox"/>		projection		product family 58EF		CODE JP	
ltr A				ecn no		dr		date		title		sheet 2 of 9	
				angles		linear		mm		CAT. NO. TABLE FOR 0.5 mm CONTACT SPACING CONNECTOR (Cat. No. : SFV__R-1/2ST__LF)		size A4	
				dr DENNIS GOH		09-05-06		scale $\times$		dwg no 10101165		type Product Customer Drawing	
				enr DENNIS GOH		09-05-06						Rev. A	
				chr DENNIS GOH		09-05-06							
				appd JOEY NG		09-05-06							
sheet index		revision sheet											



PT. NO.	PARTS NAME	MATERIAL	Q'TY	NOTE
1	HOUSING	POLYAMIDE RESIN GLASS REINFORCED (UL94V-0)	1	COLOR : BLACK
2	SLIDER	PPS RESIN GLASS REINFORCED (UL94V-0)	1	COLOR : BROWN
3	CONTACT	PHOSPHOR BRONZE	n	PLATING : MATTE PURE TIN Ni UNDER PLATED (LEAD FREE)
4	MOUNTING PLATE		2	

RECOMMENDED PC BOARD LAYOUT  
(COMPONENT SIDE)

PATTERN FOR MOUNTING PLATE FIXING

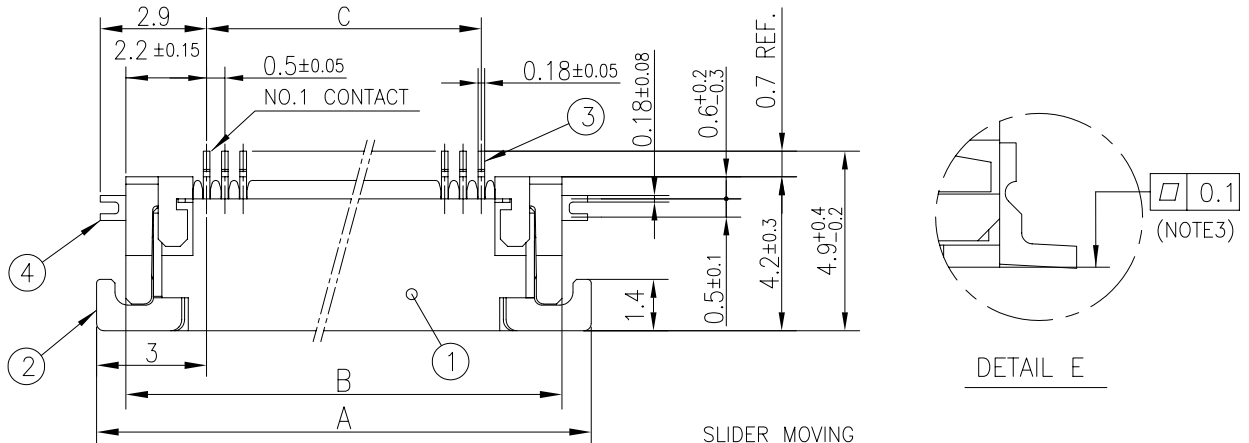


n : NO. OF CONTACTS

NOTES

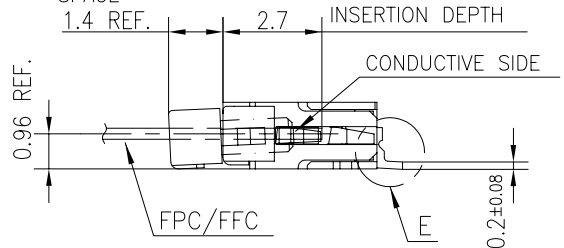
- THIS PRODUCT IS THE CONNECTOR USED FOR FPC/FFC AND COPES WITH AUTOMATIC MOUNTING (SMT).
- THIS PRODUCT IS LOWER CONTACT TYPE CONNECTOR.
- FLATNESS OF CONTACT TERMINAL AND MOUNTING PLATE MUST BE WITHIN TOLERANCE IN E PORTION DETAILED DRAWING.
- THIS PRODUCT MEETS EUROPEAN UNION DIRECTIVES AND OTHER COUNTRY REGULATIONS AS DESCRIBED IN GS-22-008.
- THE HOUSING WILL WITHSTAND EXPOSURE TO 260°C PEAK TEMPERATURE FOR 10 SECONDS IN A REFLOW SOLDERING OVEN.

mat'l. code		surface ISO 1302 ✓		tolerance ISO 406 ISO 1101		projection		product family 58EF		CODE JP	
ltr	ecn no	dr	date	tolerances unless otherwise specified		mm		title			
A				angles	linear ±0.2	scale		CONNECTOR USED FOR FPC/FFC WITH 0.5 mm CONTACT SPACING (Cat No. : SFV__R-1ST__LF)			
sheet index		revision sheet		dr	DENNIS GOH	09-05-06	dwg no		sheet 3 of 9	size	
				enr	DENNIS GOH	09-05-06	10101165				A4
				chr	DENNIS GOH	09-05-06	type		Product Customer Drawing		
				appd	DENNIS GOH	09-05-06			Rev. A		



SLIDER MOVING SPACE  
1.4 REF.

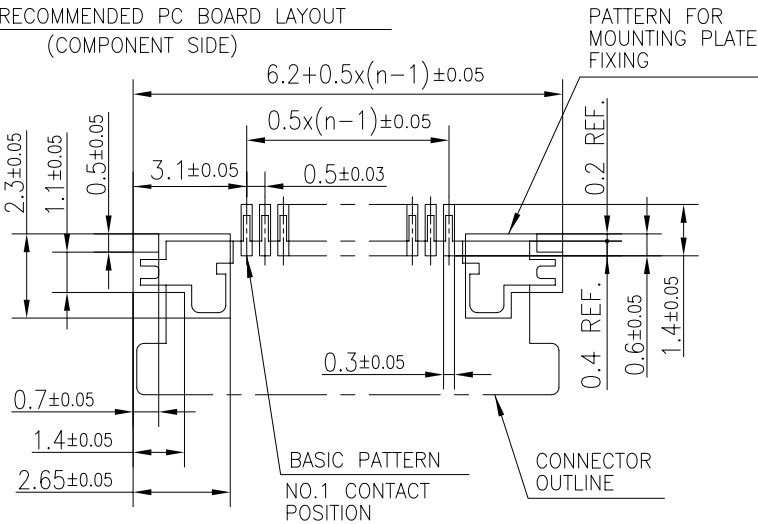
DETAIL E



PT. NO.	PARTS NAME	MATERIAL	Q'TY	NOTE
1	HOUSING	POLYAMIDE RESIN GLASS REINFORCED (UL94V-0)	1	COLOR : BLACK
2	SLIDER	PPS RESIN GLASS REINFORCED (UL94V-0)	1	COLOR : BROWN
3	CONTACT	PHOSPHOR BRONZE	n	PLATING : MATTE PURE TIN Ni UNDER PLATED (LEAD FREE)
4	MOUNTING PLATE		2	

n : NO. OF CONTACTS

RECOMMENDED PC BOARD LAYOUT  
(COMPONENT SIDE)



NOTES

- 1.THIS PRODUCT IS THE CONNECTOR USED FOR FPC/FFC AND COPES WITH AUTOMATIC MOUNTING (SMT).
- 2.THIS PRODUCT IS UPPER CONTACT TYPE CONNECTOR.
- 3.FLATNESS OF CONTACT TERMINAL AND MOUNTING PLATE MUST BE WITHIN TOLERANCE IN E PORTION DETAILED DRAWING.
- 4.THIS PRODUCT MEETS EUROPEAN UNION DIRECTIVES AND OTHER COUNTRY REGULATIONS AS DESCRIBED IN GS-22-008.
- 5.THE HOUSING WILL WITHSTAND EXPOSURE TO 260°C PEAK TEMPERATURE FOR 10 SECONDS IN A REFLOW SOLDERING OVEN.

mat'l. code		surface ISO 1302 ✓ tolerances unless otherwise specified		tolerance ISO 406 ISO 1101		projection mm		product family 58EF		CODE JP	
ltr		ecn no		dr		date		title CONNECTOR USED FOR FPC/FFC WITH 0.5 mm CONTACT SPACING (Cat. No. : SFV__R-2ST__LF)		dwg no 10101165	
A								scale X		sheet 4 of 9	
				dr		DENNIS GOH		09-05-06		size A4	
				enr		DENNIS GOH		09-05-06			
				chr		DENNIS GOH		09-05-06			
				appd		DENNIS GOH		09-05-06		type Product Customer Drawing	
sheet index		revision sheet								Rev. A	



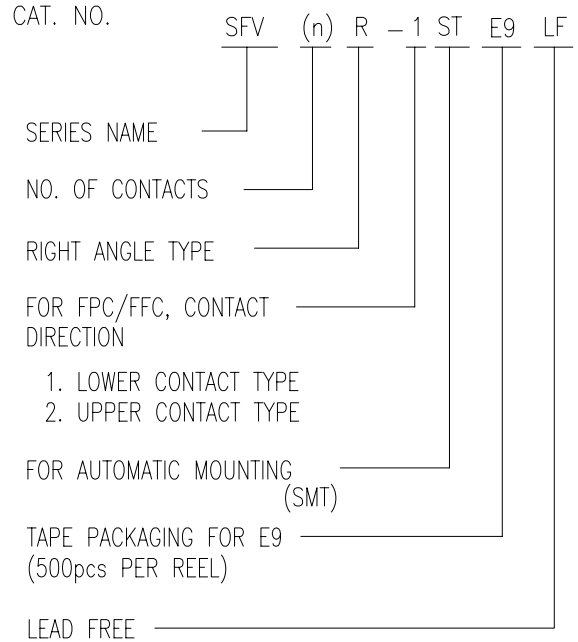
FCIconnect.com

Copyright FCI.



CAT. NO. & DIMENSIONS

NO. OF CONTACTS (n)	CAT. NO.	DIMENSIONS (NOTE3)		
		F MAX.	G ± 0.3	H ± 0.1
4	SFV4R-1/2STE9LF	22.4	16	—
5	SFV5R-1/2STE9LF	22.4	16	—
6	SFV6R-1/2STE9LF	22.4	16	—
7	SFV7R-1/2STE9LF	30.4	24	—
8	SFV8R-1/2STE9LF	30.4	24	—
9	SFV9R-1/2STE9LF	30.4	24	—
10	SFV10R-1/2STE9LF	30.4	24	—
11	SFV11R-1/2STE9LF	30.4	24	—
12	SFV12R-1/2STE9LF	30.4	24	—
13	SFV13R-1/2STE9LF	30.4	24	—
14	SFV14R-1/2STE9LF	30.4	24	—
15	SFV15R-1/2STE9LF	30.4	24	—
16	SFV16R-1/2STE9LF	30.4	24	—
17	SFV17R-1/2STE9LF	30.4	24	—
18	SFV18R-1/2STE9LF	30.4	24	—
19	SFV19R-1/2STE9LF	30.4	24	—
20	SFV20R-1/2STE9LF	30.4	24	—
21	SFV21R-1/2STE9LF	30.4	24	—
22	SFV22R-1/2STE9LF	30.4	24	—
23	SFV23R-1/2STE9LF	38.4	32	28.4
24	SFV24R-1/2STE9LF	38.4	32	28.4
25	SFV25R-1/2STE9LF	38.4	32	28.4
26	SFV26R-1/2STE9LF	38.4	32	28.4
27	SFV27R-1/2STE9LF	38.4	32	28.4
28	SFV28R-1/2STE9LF	38.4	32	28.4
29	SFV29R-1/2STE9LF	38.4	32	28.4
30	SFV30R-1/2STE9LF	38.4	32	28.4
31	SFV31R-1/2STE9LF	50.4	44	40.4
32	SFV32R-1/2STE9LF	50.4	44	40.4
33	SFV33R-1/2STE9LF	50.4	44	40.4
34	SFV34R-1/2STE9LF	50.4	44	40.4
35	SFV35R-1/2STE9LF	50.4	44	40.4



NOTES

1. THIS PRODUCT IS THE CONNECTOR USED FOR FPC AND COPEs WITH AUTOMATIC MOUNTING (SMT).
2. THIS CATALOG NO. INDICATES PLASTIC TAPE PACKAGED CONNECTOR.
3. SEE PART DRAWINGS FOR DIMENSIONS F~H.

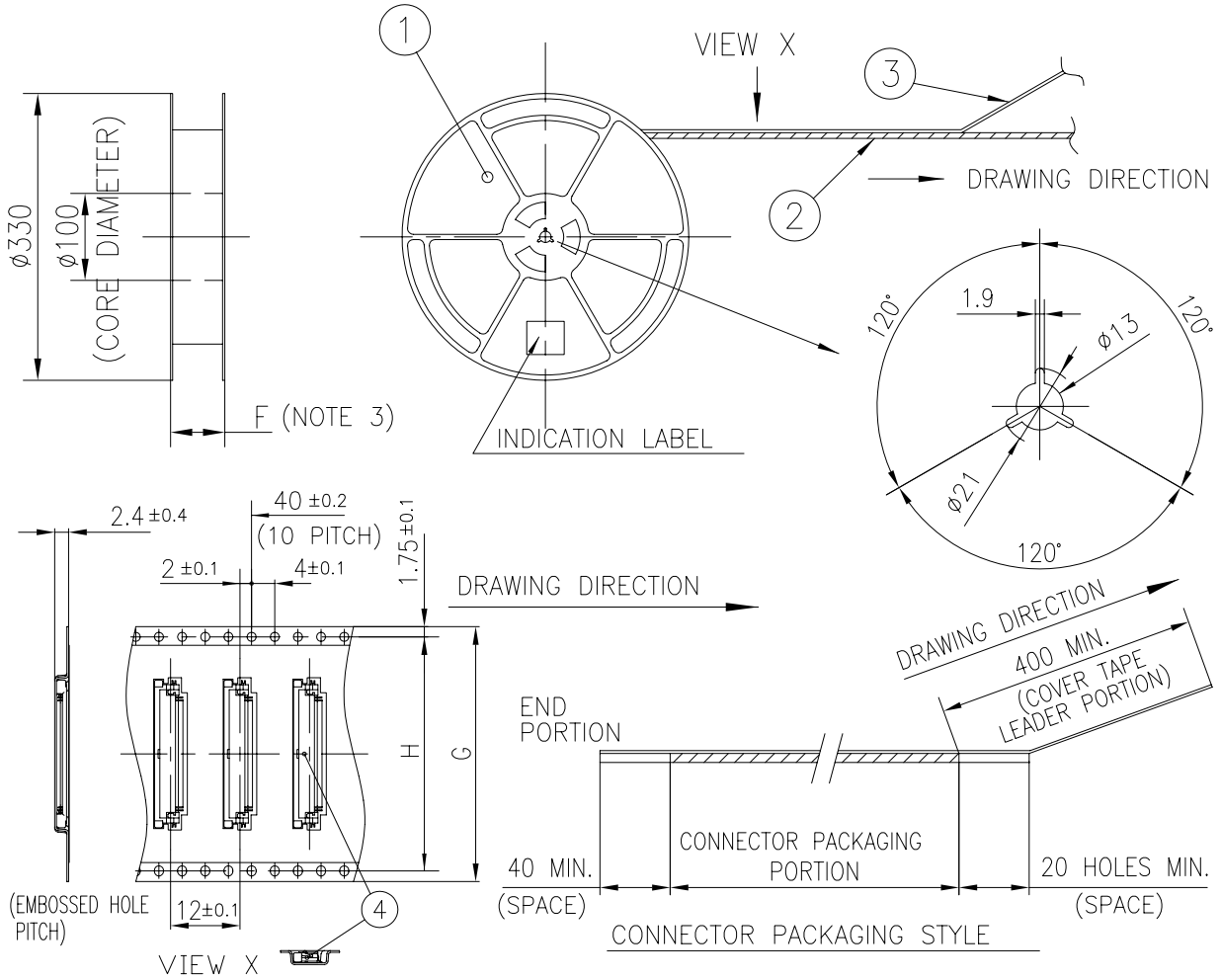


FCIconnect.com

Copyright FCI.

mat'l. code				surface ISO 1302 <input checked="" type="checkbox"/>		tolerance ISO 406 <input checked="" type="checkbox"/>		projection		product family 58EF		CODE JP	
ltr A				ecn no		dr		date		title		sheet 5 of 9	
				angles		linear		mm		CAT. NO. TABLE FOR PLASTIC TAPE PACKAGED 0.5 mm CONTACT SPACING CONNECTOR (Cat. No. : SFV__R-1/2STE9LF)		size A4	
				dr		DENNIS GOH		09-05-06		dwg no 10101165		type Product Customer Drawing	
				enr		DENNIS GOH		09-05-06		FCI		Rev. A	
				chr		DENNIS GOH		09-05-06					
				appd		JOEY NG		09-05-06					
sheet index		revision sheet											

TOLERANCES  
UNLESS OTHERWISE SPECIFIED : ±5, ANGLE ±5°



PT. NO.	PARTS NAME	CAT. NO.	MATERIAL	Q'TY	NOTE
1	REEL	_____	POLYSTYRENE	1	COLOR : BLACK
2	PLASTIC (EMBOSS) TAPE	_____	A-PET	_____	COLOR : TRANSPARENCY (CLEAR)
3	COVER	_____	POLYESTER	_____	COLOR : TRANSPARENCY (CLEAR)
4	CONNECTOR	SFV__R-1ST__LF	SEE ATTACHED DWG.	500	LOWER CONTACT TYPE

NOTES

- THIS IS PLASTIC TAPE PACKAGED CONNECTOR USED FOR FPC AND CYPES WITH AUTOMATIC MOUNTING (SMT).
- SEE JIS C 0806 (PACKING OF ELECTRONIC COMPONENTS ON CONTINUOUS TAPES (SURFACE MOUNTING DEVICES)) FOR SHAPE AND DIMENSIONS OF PLASTIC (EMBOSS) TAPE AND REEL.
- F DIMENSION IS PORTION OF THE CORE.

mat'l. code		surface ISO 1302 <input checked="" type="checkbox"/>		tolerance ISO 406 <input checked="" type="checkbox"/>		projection		product family 58EF		CODE JP	
ltr A		ecn no		dr		date		title PLASTIC TAPE PACKAGED 0.5 mm CONTACT SPACING CONNECTOR (Cat. No. : SFV__R-1STE9LF)			
		angles		linear		mm		scale $\times$			
		dr		DENNIS GOH		09-05-06		dwg no 10101165		sheet 6 of 9 size A4	
		enr		DENNIS GOH		09-05-06					
		chr		DENNIS GOH		09-05-06					
		appd		JOEY NG		09-05-06		type Product Customer Drawing			
sheet index		revision sheet								Rev. A	

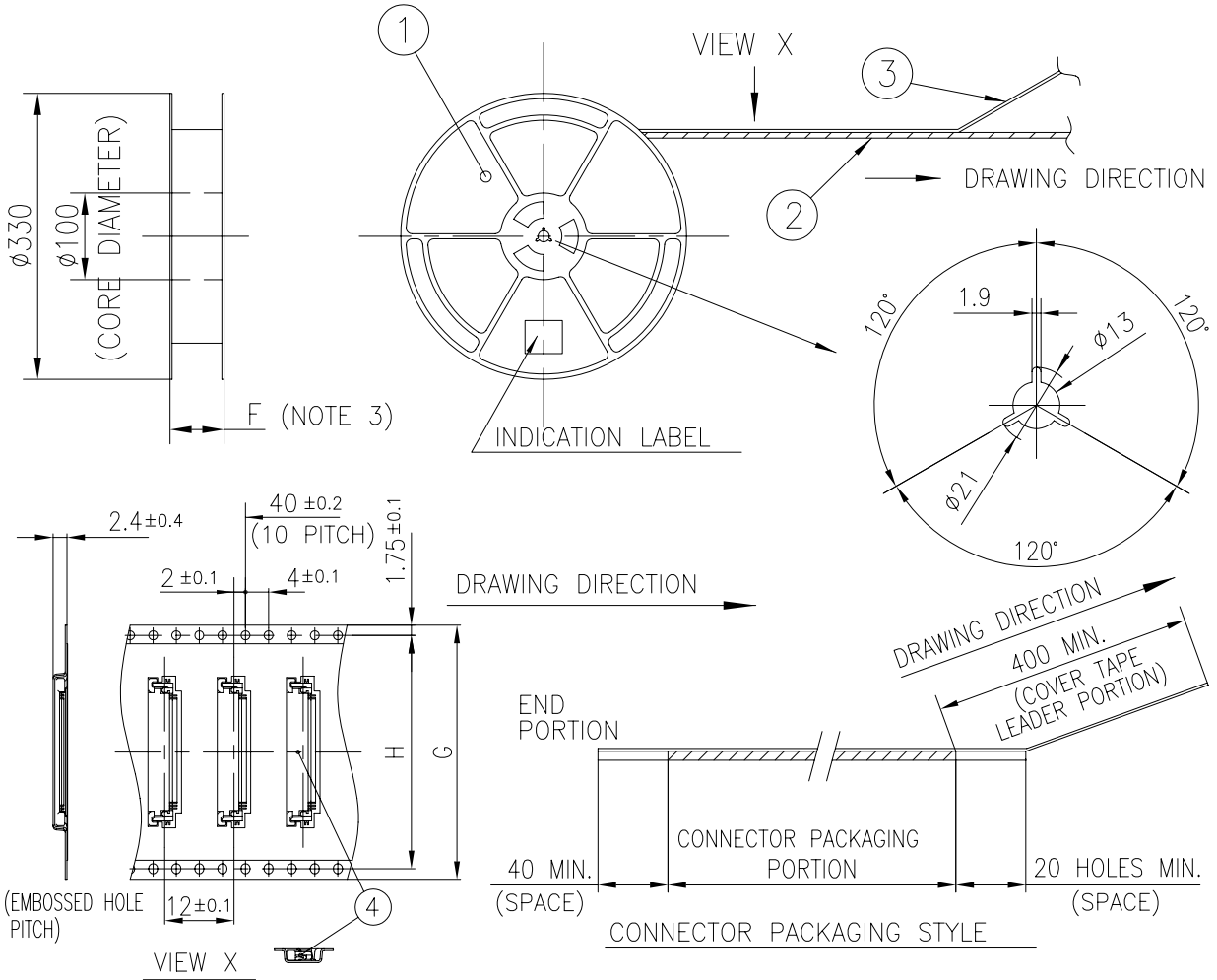


FCIconnect.com

Copyright FCI.



TOLERANCES  
UNLESS OTHERWISE SPECIFIED : ±5, ANGLE ±5°



PT. NO.	PARTS NAME	CAT. NO.	MATERIAL	Q'TY	NOTE
1	REEL	_____	POLYSTYRENE	1	COLOR : BLACK
2	PLASTIC (EMBOSS) TAPE	_____	A-PET	_____	COLOR : TRANSPARENCY (CLEAR)
3	COVER	_____	POLYESTER	_____	COLOR : TRANSPARENCY (CLEAR)
4	CONNECTOR	SFV__R-2ST__LF	SEE ATTACHED DWG.	500	LOWER CONTACT TYPE

NOTES

1. THIS IS PLASTIC TAPE PACKAGED CONNECTOR USED FOR FPC AND COPES WITH AUTOMATIC MOUNTING (SMT).
2. SEE JIS C 0806 (PACKING OF ELECTRONIC COMPONENTS ON CONTINUOUS TAPES (SURFACE MOUNTING DEVICES)) FOR SHAPE AND DIMENSIONS OF PLASTIC (EMBOSS) TAPE AND REEL.
3. F DIMENSION IS PORTION OF THE CORE.

mat'l. code		surface ISO 1302 <input checked="" type="checkbox"/>		tolerance ISO 406 <input checked="" type="checkbox"/>		projection		product family 58EF		CODE JP	
ltr A		ecn no		dr		date		title PLASTIC TAPE PACKAGED 0.5 mm CONTACT SPACING CONNECTOR (Cat. No. : SFV__R-2STE9LF)			
		angles		linear		mm		scale $\times$			
		dr		DENNIS GOH		09-05-06		dwg no 10101165		sheet 7 of 9 size A4	
		enr		DENNIS GOH		09-05-06					
		chr		DENNIS GOH		09-05-06					
		appd		JOEY NG		09-05-06		type Product Customer Drawing			
sheet index		revision sheet								Rev. A	



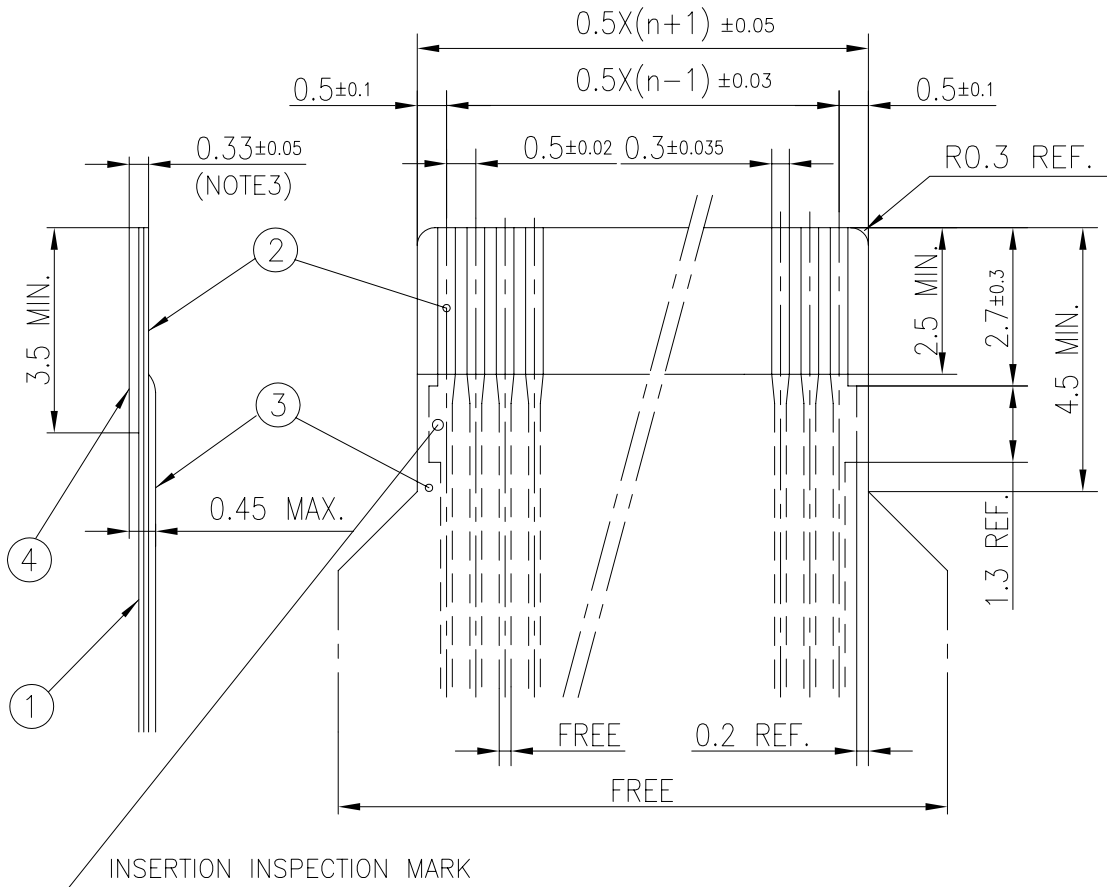
FCIconnect.com

Copyright FCI.



RECOMMENDED CABLE (FPC)

n : NO. OF CONTACTS



PT. NO.	PARTS NAME	MATERIAL	THICKNESS (um)
1	BASE FILM	POLYIMIDE OR POLYESTER OR EQUAL	25
2	CONDUCTOR	COPPER FOIL(PLATING : SOLDER 1um MIN.)	35
3	OVERLAY	POLYIMIDE OR POLYESTER OR EQUAL	—
4	SUPPORTING TAPE	POLYESTER OR POLYIMIDE OR EQUAL	188

NOTES

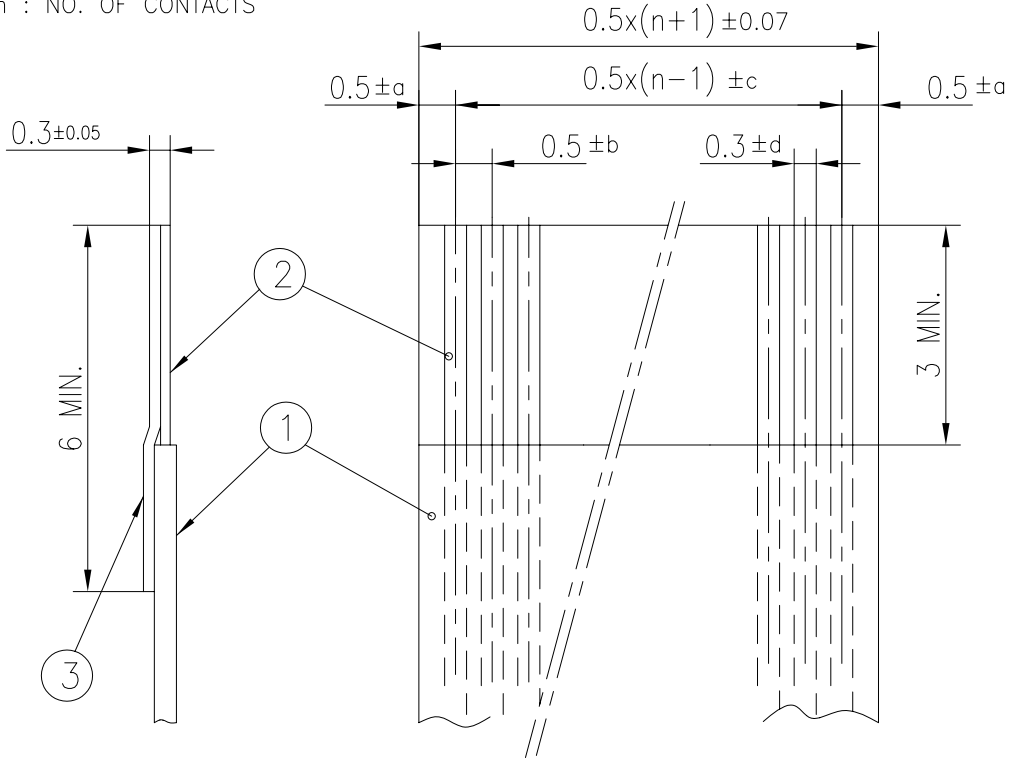
1. NO BURR AT EACH PORTION.
2. NO PEELING IN COMMON USE.
3. TOTAL THICKNESS LIMIT OF EACH MATERIAL (INCLUDING ADHESIVE AGENT) IS SPECIFIED.

mat'l. code		surface ISO 1302 <input checked="" type="checkbox"/>		tolerance ISO 406 ISO 1101		projection 		product family 58EF		CODE JP	
ltr A	ecn no	dr	date	tolerances unless otherwise specified		mm 		title RECOMMENDED CABLE (Cat. No. : SFV__R-1/2ST__)			
				angles	linear	scale $\propto$		dwg no 10101165		sheet 8 of 9 size A4	
				dr	DENNIS GOH	09-05-06			type Product Customer Drawing		
				enr	DENNIS GOH	09-05-06					
				chr	DENNIS GOH	09-05-06					
				appd	JOEY NG	09-05-06					
sheet index	revision sheet										Rev. A



RECOMMENDED CABLE (FFC)

n : NO. OF CONTACTS



KIND OF FFC (NOTE3)	DIMENSIONAL TOLERANCE			
	a	b	c	d
1	±0.07	±0.04	±0.05	±0.02
2	±0.1	±0.03	±0.03	±0.025

PT. NO.	PARTS NAME	MATERIAL	NOTE
1	INSULATOR	FLAME RESISTING POLYESTER OR EQUAL	_____
2	CONDUCTOR	COPPER FOIL:THICKNESS 35 OR 50um	PLATING : TIN OR SOLDER 1um MIN.
3	SUPPORTING TAPE	FLAME RESISTING POLYESTER OR EQUAL	_____

NOTES

1. NO BURR AT EACH PORTION.
2. NO PEELING IN COMMON USE.
3. EITHER KIND1 OR KIND2 OF FFC CAN ACCEPT DIMENSIONAL TOLERANCE a,b,c AND d.

mat'l. code				surface ISO 1302 <input checked="" type="checkbox"/>		tolerance ISO 406 <input checked="" type="checkbox"/> ISO 1101		projection 		product family 58EF		CODE JP	
ltr	ecn no	dr	date	tolerances unless otherwise specified				mm		title RECOMMENDED CABLE (Cat. No. : SFV__R-1/2ST__)			
A				angles	linear	scale $\times$		dwg no 10101165		sheet 9 of 9		size A4	
				dr	DENNIS GOH	09-05-06			type Product Customer Drawing				
				enr	DENNIS GOH	09-05-06							
				chr	DENNIS GOH	09-05-06							
				appd	JOEY NG	09-05-06							
sheet index		revision sheet										Rev. A	