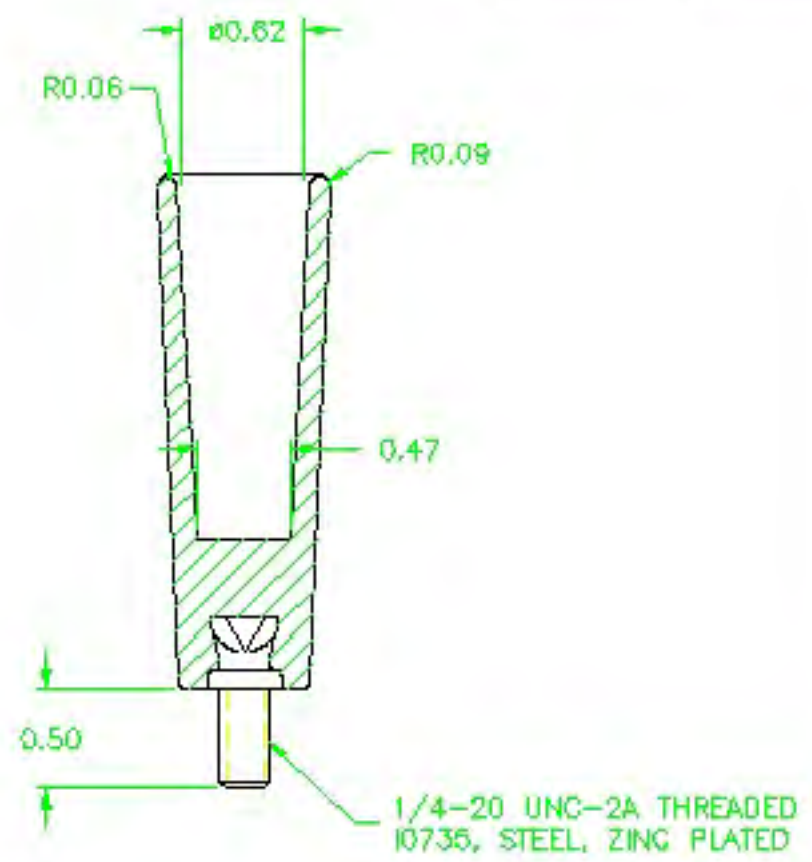
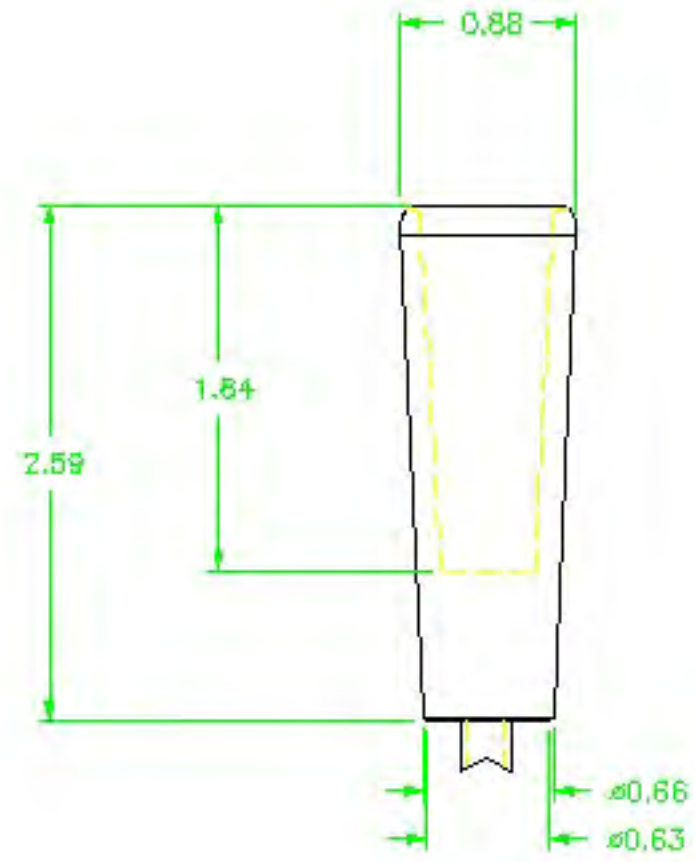


PART NAME: HANDLE SCALE: 1:1 DATE: 9/17/85 DR. BY HD
 THIS DRAWING IS THE PROPERTY OF DAVIES MOLDING COMPANY, IS SUBMITTED SOLELY AS A DESIGN OR ENGINEERING PROJECT.
 WE ACCEPT NO RESPONSIBILITY WHATSOEVER FOR THE PRACTICAL APPLICATION OF THE PIECES MADE TO THIS DESIGN.

DAVIES MOLDING COMPANY
 CAROL STREAM, ILLINOIS 60188

| | |
|---------|--------|
| P/N | 0693-P |
| MNO | 692 |
| CAVITY | 692 |
| PLUNGER | 693 |
| PIN | 692-A |
| INSERT | 10735 |
| | |
| | |



MATERIAL: G.P. PHENOLIC (B11)
 COLOR: BLACK

| | | | | |
|---|----------------------------------|---------|------------|------------|
| TOLERANCES: UNLESS OTHERWISE SPECIFIED | DO NOT SCALE DRAWING | | | |
| DECIMALS: X.XXX ± .005 X.XX ± .015 | MM: X.XX ± 0.15MM X.X ± 0.4MM | - | CAD REDRAW | HD 8/15/94 |
| FRACTIONS ± 1/64 | ANG. ± ° | CHANGES | | |