

LITTELFUSE Metal Oxide Varistors

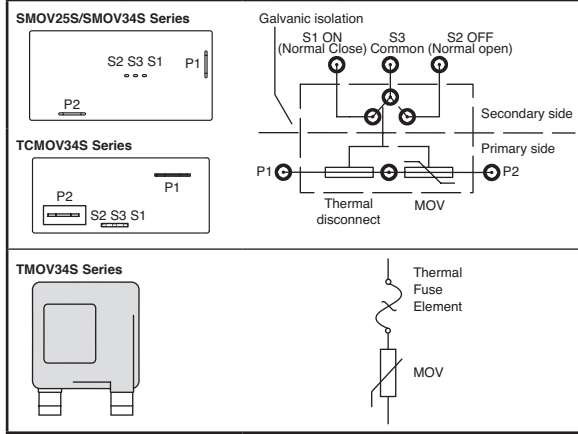


This product is RoHS compliant.

LITTELFUSE THERMALLY PROTECTED VARISTORS



MOUSER STOCK NO.		Package	Case	ACV Max.	DCV Max.	Current Surge	Varistor Voltage	Price Each		
Mfr.	Mfr. Part No.							1	10	100
SMOV25S Series										
576	SMOV25S151MP	25mm Square	5 Leaded	150	200	20kA	264	8.69	8.33	8.00
SMOV34S Series										
576	SMOV34S151MP	34mm Square	5 Leaded	150	200	40kA	268	19.56	18.75	18.00
TCMOV34S Series										
576	TCMOV34S151MP	34mm Square	5 Leaded	150	200	50kA	268	23.90	22.91	22.00
576	TCMOV34S271MP	34mm Square	5 Leaded	275	350	50kA	473	26.08	25.00	24.00
576	TCMOV34S421MP	34mm Square	5 Leaded	420	560	50kA	748	28.25	27.08	26.00
TMOV34S Series										
576	TMOV34S151EP	34mm Square	2 Leaded	150	200	40kA	268	18.81	18.03	17.31



LITTELFUSE METAL OXIDE VARISTORS



For quantities greater than listed, call for quote.

MOUSER STOCK NO.		Model Size Disc Dia. (mm)	Device Model Number Brand	Maximum Ratings (85°C)				Specifications (25°C)				Price Each				
				Continuous		Transient		VNOM Varistor Peak Voltage		Max. Clamping Voltage (8 x 20µs)						Typical Capacitance @ f=1MHz (pF)
				RMS Voltage	DC Voltage	Energy (10/1000µs)	Peak Cur. (8/20µs)	Max. @ 1mA DC	Max. @ 1mA AC	VC	IP					
LA Series																
576	V130LA1P	7	P1301	130	175	11	1200	184	255	390	10	180	.19	.18	.17	.16
576	V130LA2P	7	P1302	130	175	11	1200	184	228	340	10	180	.19	.18	.17	.16
576	V130LA5P	10	P1305	130	175	20	2500	184	228	340	25	450	.26	.245	.233	.22
576	V130LA10AP	14	P130L10	130	175	38	4500	184	228	340	50	1000	.34	.316	.304	.286
576	V130LA20AP	20	P130L20	130	175	70	6500	184	228	340	100	1900	.53	.49	.47	.45
576	V130LA20BP	20	P130L20B	130	175	70	6500	184	220	325	100	1900	.53	.49	.47	.45
576	V140LA5P	10	P1405	140	180	22	2500	198	242	360	25	400	.26	.245	.233	.22
576	V140LA10AP	14	P140L10	140	180	42	4500	198	242	360	50	900	.34	.316	.304	.286
576	V150LA1P	7	P1501	150	200	13	1200	212	284	430	10	150	.19	.18	.17	.16
576	V150LA2P	7	P1502	150	200	13	1200	212	268	395	10	150	.19	.18	.17	.16
576	V150LA5P	10	P1505	150	200	25	2500	212	268	395	25	360	.26	.245	.233	.22
576	V150LA10AP	14	P150L10	150	200	45	4500	212	268	395	50	800	.34	.316	.304	.286
576	V150LA20AP	20	P150L20	150	200	80	6500	212	268	395	100	1600	.53	.49	.47	.45
576	V150LA20BP	20	P150L20B	150	200	80	6500	212	243	360	100	1600	.53	.49	.47	.45
576	V250LA10P	10	P250L	250	330	40	2500	354	429	650	25	220	.26	.245	.233	.22
576	V275LA2P	7	P275L	275	369	23	1200	389	515	775	10	80	.19	.18	.17	.16
576	V275LA40AP	20	P275L40	275	369	140	6500	389	473	710	100	900	.53	.49	.47	.45
576	V275LA40BP	20	P275L40B	275	369	140	6500	389	453	680	100	900	.53	.49	.47	.45
576	V320LA20AP	14	P320L20	320	420	80	4500	462	565	850	50	380	.34	.316	.304	.286
576	V320LA40BP	20	P320L40	320	420	150	6500	462	540	810	100	750	.53	.49	.47	.45
576	V420LA20AP	14	P420L20	420	560	90	4500	610	748	1120	50	300	.34	.316	.304	.286
576	V420LA40BP	20	P420L40	420	560	160	6500	610	720	1060	100	600	.63	.58	.56	.53
576	V480LA40AP	14	P480L40	480	640	105	4500	670	825	1240	50	270	.46	.42	.40	.38
576	V480LA80BP	20	P480L80	480	640	180	6500	670	790	1160	100	550	.72	.675	.65	.61
576	V510LA40AP	14	P510L40	510	675	110	4500	735	910	1350	50	250	.72	.675	.65	.61
576	V510LA80BP	20	P510L80	510	675	190	6500	735	860	1280	100	500	1.33	1.23	.92	.82
576	V575LA40AP	14	P575L40	575	730	120	4500	805	1000	1500	50	220	.72	.675	.65	.61
576	V575LA80BP	20	P575L80	575	730	220	6500	805	960	1410	100	450	1.21	1.13	1.09	1.02
576	V1000LA160BP	20	P1000L160	1000	1200	360	6500	1425	1600	2420	100	250	2.30	2.14	2.06	1.94
ZA Series																
576	V82A05P	5	PZ08	4	5.5	0.1	50	6	11	30	1	2000	.29	.27	.25	.24
576	V82A1P	7	P08Z1	4	5.5	0.4	100	6	11	22	2.5	4190	.29	.27	.25	.24
576	V82A2P	10	P08Z2	4	5.5	0.8	250	6	11	20	5	7000	.26	.245	.233	.22
576	V12ZA05P	5	PZ12	6	8	0.14	50	9	16	37	1	1700	.29	.27	.25	.24
576	V12ZA2P	10	P12Z2	6	8	1.2	250	9	16	30	5	6100	.26	.245	.233	.22
576	V18ZA05P	5	PZ18	10	14	0.17	100	14.4	21.6	36	1	1400	.26	.245	.233	.22
576	V18ZA1P	7	P18Z1	10	14	0.8	250	14.4	21.6	36	2.5	2700	.26	.245	.233	.22
576	V18ZA2P	10	P18Z2	10	14	1.5	500	14.4	21.6	36	5	5300	.26	.245	.233	.22
576	V18ZA3P	14	P18Z3	10	14	3.5	1000	14.4	21.6	36	10	18870	.34	.316	.304	.286
576	V18ZA40P	20	P18Z40	10	14	80	2000	14.4	21.6	37	20	22000	.53	.49	.47	.45
576	V22ZA05P	5	PZ22	14	18	0.2	100	18.7	26	43	1	1220	.19	.18	.17	.16
576	V22ZA1P	7	P22Z1	14	18	0.9	250	18.7	26	43	2.5	2375	.19	.18	.17	.16
576	V22ZA2P	10	P22Z2	14	18	2	500	18.7	26	43	5	4500	.26	.245	.233	.22
576	V22ZA3P	14	P22Z3	14	18	4	1000	18.7	26	43	10	14730	.43	.40	.38	.36
576	V24ZA50P	20	P24Z50	14	18	100	2000	19.2	26	43	20	18000	.53	.49	.47	.45
576	V27ZA05P	5	PZ27	17	22	0.25	100	23	31.1	53	1	920	.19	.18	.17	.16
576	V47ZA20P	20	P47Z20	30	38	23	2000	42	52	93	20	11000	.53	.49	.47	.45
576	V47ZA7P	14	P47Z7	30	38	8.8	1000	42	52	93	10	6270	.34	.316	.304	.286
576	V47ZA3P	10	P47Z3	30	38	4.5	500	42	52	93	5	2590	.26	.245	.233	.22
576	V56ZA2P	7	P56Z2	35	45	2.3	250	50	62	110	2.5	1035	.19	.18	.17	.16
576	V56ZA8P	14	P56Z8	35	45	10	1000	50	62	110	10	4840	.34	.316	.304	.286
576	V68ZA2P	7	P68Z2	40	56	3	250	61	75	135	2.5	910	.19	.18	.17	.16
576	V68ZA3P	10	P68Z3	40	56	6.5	500	61	75	135	5	1850	.26	.245	.233	.22
576	V68ZA10P	14	P68Z10	40	56	13	1000	61	75	135	10	3870	.34	.316	.304	.286
576	V82ZA4P	10	P82Z4	50	68	8	2500	73	91	135	25	1485	.46	.42	.40	.38
576	V82ZA12P	14	P82Z12	50	68	15	4500	73	91	145	50	3380	.43	.40	.38	.36
576	V100ZA3P	5	PZ100	60	81	2.5	400	90	117	165	5	600	.19	.18	.17	.16
576	V100ZA15P	14	P100Z15	60	81	20	2900	90	110	175	50	2900	.34	.316	.304	.286
576	V150ZA20P	20	P150Z20	95	127	45	6500	135	165	250	100	3500	.53	.49	.47	.45
576	V180ZA1P	7	P180Z	115	153	10	1200	162	198	300	10	320	.19	.18	.17	.16
576	V180ZA5P	10	P180Z5	115	153	18	2500	162	198	300	25	465	.26	.245	.233	.22
576	V180ZA10P	14	P180Z10	115	153	35	4500	162	198	300	50	1190	.34	.316	.304	.286
576	V220ZA05P	5	PZ220	140	180	6	400	198	253	380	5	95	.36	.34	.325	.31
576	V330ZA05P	5	PZ330	210	275	9	400	297	380	540	5	70	.36	.34	.325	.31
576	V390ZA05P	5	PZ390	250	330	10	400	351	449	650	5	80	.36	.34	.325	.31