

RoHS Compliant This product is RoHS compliant.

## USB WITH POSITIVE LOCKING: LUSB SERIES

The design of Amphenol's USB, Series A with this unique latching mechanism has been developed to address the major concern of unintentional interruption of data transmission. The latch must be intentionally raised in order to remove the plug. An accidental pull on the cable up to 22 lbs force will not separate connectors.

### Features:

- Current Rating: 1.5 Amps
- Dielectric Withstanding Voltage: 500VAC
- Operating Temperature: -40°C to +85°C
- Meets military shock and vibration levels

- Locking tab: Stainless Steel
- Contact Plating: 30µ" Gold over nickel
- Housing: UL94V-0 Black

### Applications:

- Industrial
- Mobile Communication
- Automotive



For quantities of 100 and up, call for quote.

MOUSER STOCK NO.	Amphenol Part No.	Fig.	Description	Price Each			
				1	10	25	50
523-LUSBA11100	LUSBA11100	A	USB Receptacle, Single, Type A with Positive Locking	1.96	1.78	1.63	1.51

## HARSH ENVIRONMENT USB CONNECTORS: MUSB SERIES

Amphenol's MUSB series represents a unique and innovative USB connector design. This design provides the ideal solution for data transfer in harsh or demanding environments against physical and environmental conditions. These connectors are underwater submersible rather than just water resistant in both mated and unmated conditions. They are absolutely unshaken by hostile environmental elements.

### Features:

- IP67 sealed in mated and unmated conditions
- Meets military shock and vibration levels
- Shell: Metal die cast
- Finish: Nickel
- Housing: UL94V-0 Black

- Rear shielded
- Contact Plating: 30µ" Gold
- Number of Contacts: 4 per port
- Current Rating: 1.5 Amps
- Voltage Rating: 100 VDC @ -25°C to +85°C

- Dielectric Withstanding Voltage: 500VAC, RMS, 60Hz 1 minute
- Operating Temperature: -40°C to +105°C



For quantities of 100 and up, call for quote.

MOUSER STOCK NO.	Amphenol Part No.	Fig.	Description	Price Each			
				1	10	25	50
523-MUSB-A111-30	MUSB-A111-30	B	PCB Receptacle, R/A, Type A, Single	9.38	8.44	7.67	7.03
523-MUSB-A211-30	MUSB-A211-30	C	Receptacle, Type A, Single with Cable Header	21.33	19.55	18.05	16.76
523-MUSB-A311-30	MUSB-A311-30	D	Receptacle, R/A, Type A, Single, on PCB w/USB Termination	21.38	19.17	17.65	16.35
523-MUSB-A511-00	MUSB-A511-00	E	Single, Vertical, PCB Mount	7.25	6.68	6.20	5.73
523-MUSB-B151-34	MUSBB15134	F	Single, Mini B, R/A	11.66	10.60	9.72	8.97
523-MUSB-B551-04	MUSBB55104	F	Single, Mini B, Vertical	13.42	12.20	11.18	10.32
523-MUSB-C111-30	MUSB-C111-30	E	PCB Receptacle, R/A, Type A, Double Stacked	9.01	7.35	6.81	6.34
523-MUSB-C211-30	MUSB-C211-30	G	Receptacle, R/A, Type A, Double, on PCB W/Cable Header	19.07	17.60	16.34	15.25
523-MUSB-C311-30	MUSB-C311-30	G	Receptacle, R/A, Type A, Double, on PCB W/USB Termination	18.60	17.17	15.94	14.88
523-MUSB-C511-00	MUSBC51100	E	Receptacle, Vertical, PCB Mount, Stacked 4-40 Thread	15.02	13.65	12.52	11.55
523-MUSBD11130	MUSBD11130	H	Receptacle, Single, Type B, R/A	8.82	8.02	7.35	6.78
523-MUSB-D111-31	MUSB-D111-31	H	Receptacle, Single, Type B, R/A with Gray Dust Cover	12.48	11.15	9.89	9.03
523-MUSB-D511-00	MUSBD51100	H	Receptacle, Single, Type B, Vertical	9.26	8.42	7.72	7.12
523-MUSBE15134	MUSBE15134	F	Receptacle, Single, Type Mini AB, R/A	11.46	10.42	9.55	8.82

### Accessories

523-MUSB2A11104BP	MUSB2A11104BP	-	Rugged Dust Cover, Type A, Gray	1.50	1.29	1.15	1.10
523-MUSB2A111024BP	MUSB2A111024BP	-	Rugged Dust Cover, Type A, Mini USB, Black	1.53	1.30	1.19	1.10
523-MUSB2D11004BP	MUSB2D11004BP	-	Rugged Dust Cover, Type B, Gray	1.07	.96	.78	.72
523-MUSB2E151005BP	MUSB2E151005BP	-	Rugged Dust Cover, Type B Mini USB, Gray	1.13	.96	.88	.81

## HARSH ENVIRONMENT MODULAR JACK CONNECTORS: MRJ SERIES

Amphenol's MRJ series represents a unique and innovative RJ connector design. This design provides the ideal solution for network data transfer in harsh and demanding environmental conditions. These connectors are underwater submersible rather than just water resistant in both mated and unmated conditions. They are absolutely unshaken by hostile environmental elements.

### Features:

- Cat 5 ethernet performance
- IP67 sealed in mated and unmated conditions
- Meets military shock and vibration levels
- Available with optional integrated LEDs
- Shell: Metal die cast
- Will not allow RJ11 to enter

- Finish: Nickel
- Housing: UL94V-0 Black
- Contact Plating: 30µ" Gold
- Number of Contacts: 8
- Contact tail length: .100"

- Current Rating: 1.5 Amps
- Voltage Rating: 100 VDC @ -25°C to +85°C
- Dielectric Withstanding Voltage: 500VAC, RMS, 60Hz 1 minute
- Operating Temperature: -40°C to +105°C



For quantities of 100 and up, call for quote.

MOUSER STOCK NO.	Amphenol Part No.	Fig.	Description	Price Each			
				1	10	25	50
523-MRJ-5380-01	MRJ-5380-01	I	RJ45 PCB receptacle, R/A, no LEDs	8.50	7.69	7.14	6.47
523-MRJ-5381-01	MRJ-5381-01	I	RJ45 PCB receptacle, R/A, Yellow/Green LEDs	10.98	9.88	8.94	8.28
523-MRJ-5385-01	MRJ-5385-01	I	RJ45 PCB receptacle, R/A, Green/Green LEDs	9.30	8.65	8.21	7.67
523-MRJ-5480-01	MRJ548001	I	RJ45 PCB receptacle, vertical, no LEDs	13.55	12.42	11.46	10.64
523-MRJ548101	MRJ548101	I	RJ45 PCB receptacle, vertical, Yellow/Green LEDs	16.89	15.20	13.82	12.67
523-MRJ-5485-01	MRJ548501	I	RJ45 PCB receptacle, vertical, Yellow/Green LEDs	13.82	12.67	11.69	10.85
523-MRJ-5580-01	MRJ-5580-01	J	RJ45 PCB receptacle, R/A, with cable header, no LEDs	23.33	21.54	20.00	18.67
523-MRJ-5780-01	MRJ-5780-01	K	RJ45 PCB receptacle, R/A, w/RJ45 termination, no LEDs	17.65	15.88	14.66	13.61

### Accessories

523-MRJ-2586-10BP	MRJ258610BP	-	Rugged RJ45 Dust Cover	.96	.81	.74	.68
523-MRJ-258E-11-BP	MRJ-258E-11-BP	-	Rugged RJ45 Boot-Plug	2.00	1.73	1.57	1.40

## ENVIRONMENTALLY SEALED D-SUB CONNECTORS: MDB SERIES

The Rugged MDB series offers cost efficient environmentally sealed D-Sub connectors with screw machine contacts and high performance thermoplastic or metal die cast shells.

### Features:

- IP67 sealed in mated and unmated conditions
- Number of Contacts: 9 & 26
- Contact Plating: 30µ" Gold

- Current Rating: 5 Amps
- Voltage Rating: 200 VDC, 125 VAC
- Dielectric Withstanding Voltage: 500 VDC @25°C & 50 mA max

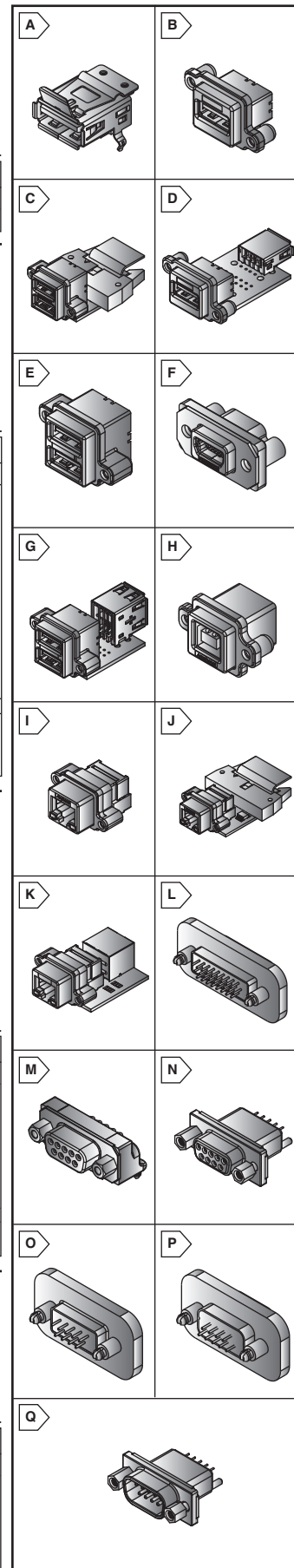
- Insulator/Shell: UL94V-0
- Gasket: Silicone rubber
- Operating temperature: -40°C to +105°C

### Applications:

- Industrial
- Military Communications
- Marine
- Automotive

For quantities of 100 and up, call for quote.

MOUSER STOCK NO.	Amphenol Part No.	Fig.	Description	No. of Pos.	Price Each			
					1	10	25	50
523-MDB-A26PE-860	MDBA26PE860	L	PCB male, vertical, metal die cast shell, 4-40 threads	26	38.52	35.02	32.10	29.63
523-MDB-E09SA-700	MDB-E09SA-700	M	PCB female, R/A, thermoplastic shell, 4-40 threads	9	11.12	10.26	9.53	8.89
523-MDB-E09SA-760	MDB-E09SA-760	N	PCB female, vertical, front mount, metal die cast shell	9	14.92	13.77	12.79	11.93
523-MDB-E09SE-860	MDBE09SE860	O	PCB female, vertical, metal die cast shell, 4-40 threads	9	19.04	17.31	15.87	14.65
523-MDB-E09PA-760	MDB-E09PA-760	P	PCB male, vertical, front mount, metal die cast shell	9	12.84	11.44	10.48	9.68
523-MDBE09PE860	MDBE09PE860	Q	PCB male, vertical, metal shell, 4-40 threads	9	17.96	16.41	15.11	13.60



Data/Network/Telecom Amphenol